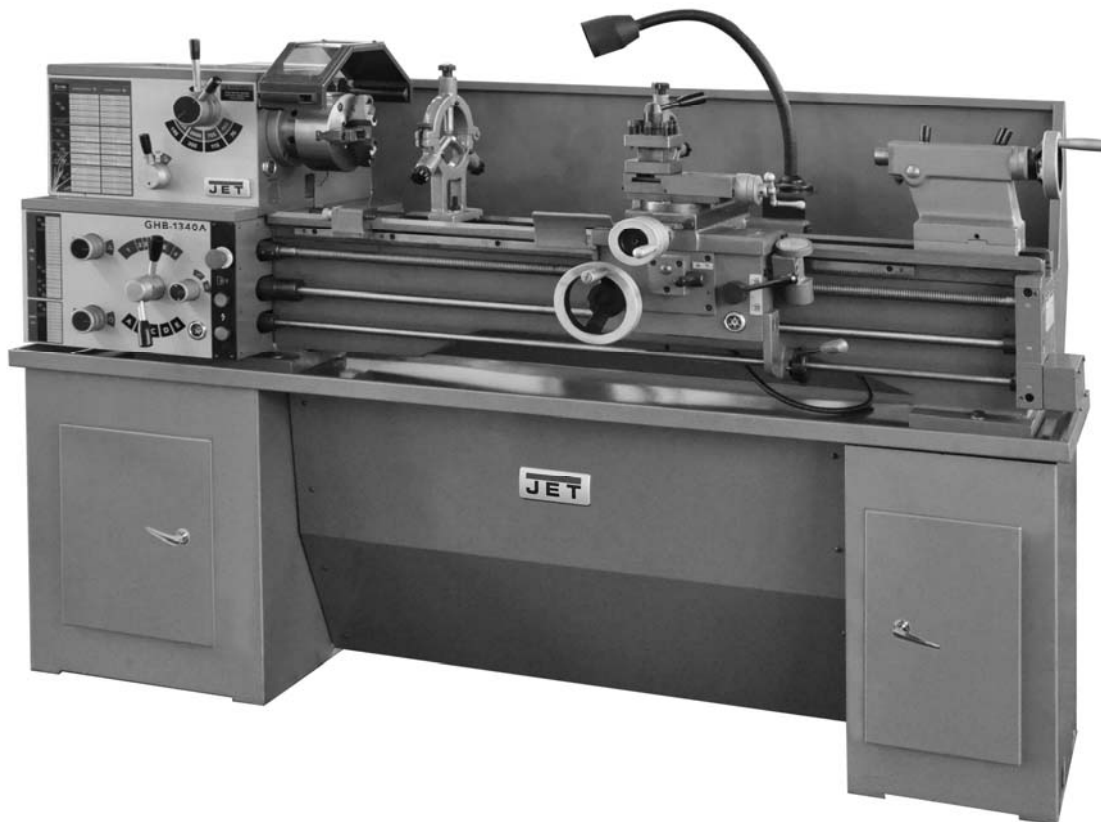


Operation and Maintenance Instructions Geared Head Bench Lathe

Models GHB-1340A, GHB-1440A



(GHB-1340A shown with optional stand 321443AK)

For Parts List and Electrical Diagrams, see document M-321357A

JET
427 New Sanford Road
LaVergne, Tennessee 37086
Ph.: 800-274-6848
www.jettools.com

Part No. M-321357A-1
Revision H1 08/2018
Copyright © 2014 JET



1.0 IMPORTANT SAFETY INSTRUCTIONS

Read and understand the entire owner's manual before attempting set-up or operation of this lathe.

1. This machine is designed and intended for use by properly trained and experienced personnel only. If you are not familiar with the proper and safe use of lathes, do not use this machine until proper training and knowledge have been obtained.
2. Keep guards in place. Safety guards must be kept in place and in working order.
3. Remove adjusting keys and wrenches. Before turning on machine, check to see that any adjusting wrenches are removed from the tool.
4. Reduce the risk of unintentional starting. Make sure switch is in the OFF position before plugging in the tool.
5. Do not force tools. Always use a tool at the rate for which it was designed.
6. Use the right tool. Do not force a tool or attachment to do a job for which it was not designed.
7. Maintain tools with care. Keep tools sharp and clean for best and safest performance. Follow instructions for lubrication and changing accessories.
8. Always disconnect the tool from the power source before adjusting or servicing.
9. Check for damaged parts. Check for alignment of moving parts, breakage of parts, mounting, and any other condition that may affect the tool's operation. A guard or any part that is damaged should be repaired or replaced.
10. Turn power off. Never leave a tool unattended. Do not leave a tool until it comes to a complete stop.
11. Keep work area clean. Cluttered areas and benches invite accidents.
12. Do not use in a dangerous environment. Do not use power tools in damp or wet locations, or expose them to rain. Keep work area well lighted.
13. Keep children and visitors away. All visitors should be kept a safe distance from the work area.

14. Make the workshop child proof. Use padlocks, master switches, and remove starter keys.
15. Wear proper apparel. Loose clothing, gloves, neckties, rings, bracelets, or other jewelry may get caught in moving parts. Non-slip footwear is recommended. Wear protective hair covering to contain long hair. Do not wear any type of glove.
16. Always use safety glasses. Every day glasses only have impact resistant lenses; they are not safety glasses.
17. Do not overreach. Keep proper footing and balance at all times.
18. Do not place hands near the chuck while the machine is operating.
19. Do not perform any set-up work while machine is operating.
20. Read and understand all warnings posted on the machine.
21. This manual is intended to familiarize you with the technical aspects of this lathe. It is not, nor was it intended to be, a training manual.
22. Failure to comply with all of these warnings may result in serious injury.

⚠ WARNING: This product can expose you to chemicals including lead and cadmium which are known to the State of California to cause cancer, and phthalates which are known to the State of California to cause birth defects or other reproductive harm. For more information go to <http://www.p65warnings.ca.gov>.

⚠ WARNING: Some dust, fumes and gases created by power sanding, sawing, grinding, drilling, welding and other construction activities contain chemicals known to the State of California to cause cancer and birth defects or other reproductive harm. Some examples of these chemicals are:

- lead from lead based paint
- crystalline silica from bricks, cement and other masonry products
- arsenic and chromium from chemically treated lumber

Your risk of exposure varies, depending on how often you do this type of work. To reduce your exposure to these chemicals, work in a well-ventilated area and work with approved safety equipment, such as dust masks that are specifically designed to filter out microscopic particles. For more information go to <http://www.p65warnings.ca.gov/> and <http://www.p65warnings.ca.gov/wood>.

Familiarize yourself with the following safety notices used in this manual:

CAUTION This means that if precautions are not heeded, it may result in minor injury and/or possible machine damage.

WARNING This means that if precautions are not heeded, it may result in serious, or possibly even fatal, injury.

2.0 Table of contents

Section	Page
1.0 IMPORTANT SAFETY INSTRUCTIONS	2
2.0 Table of contents	3
3.0 Warranty and service	4
4.0 About this manual	5
5.0 Dimensions for optional stand (p/n 321443AK)	5
6.0 Specifications	6
7.0 Setup and assembly	7
7.1 Shipping contents	7
7.2 Uncrating and Cleanup	8
7.3 Chuck Preparation (Three Jaw)	8
7.4 Chuck Guard Installation	9
8.0 Lubrication	9
9.0 Electrical Connections	10
10.0 General Description	10
10.1 Lathe Bed	10
10.2 Carriage	10
10.3 Headstock	10
10.4 Four Way Tool Post	10
10.5 Apron	11
10.6 Tailstock	11
10.7 Leadscrew and Feed Rod	11
10.8 Gear Box	11
10.9 Steady Rest	11
10.10 Follow Rest	11
11.0 Controls	11
12.0 Operation	13
12.1 Break-In Procedure	13
12.2 Feed and Thread Selection	13
12.3 Change Gear Replacement	13
12.4 Automatic Feed Operation and Feed Changes	13
12.5 Powered Carriage Travel	14
12.6 Thread Cutting	14
13.0 Adjustments	14
13.1 Saddle adjustment	14
13.2 Cross Slide adjustment	14
13.3 Compound Slide adjustment	14
13.4 Tailstock adjustment	14
13.5 Half Nut Gib adjustment	15
13.6 Headstock Alignment	15
13.7 Removing Gap Bridge	15
13.8 Installing Gap Bridge	15
14.0 Thread and Feed Chart	16

3.0 Warranty and service

JET warrants every product it sells against manufacturers' defects. If one of our tools needs service or repair, please contact Technical Service by calling 1-800-274-6846, 8AM to 5PM CST, Monday through Friday.

Warranty Period

The general warranty lasts for the time period specified in the literature included with your product or on the official JET branded website.

- JET products carry a limited warranty which varies in duration based upon the product. (See chart below)
- Accessories carry a limited warranty of one year from the date of receipt.
- Consumable items are defined as expendable parts or accessories expected to become inoperable within a reasonable amount of use and are covered by a 90 day limited warranty against manufacturer's defects.

Who is Covered

This warranty covers only the initial purchaser of the product from the date of delivery.

What is Covered

This warranty covers any defects in workmanship or materials subject to the limitations stated below. This warranty does not cover failures due directly or indirectly to misuse, abuse, negligence or accidents, normal wear-and-tear, improper repair, alterations or lack of maintenance. JET woodworking machinery is designed to be used with Wood. Use of these machines in the processing of metal, plastics, or other materials may void the warranty. The exceptions are acrylics and other natural items that are made specifically for wood turning.

Warranty Limitations

Woodworking products with a Five Year Warranty that are used for commercial or industrial purposes default to a Two Year Warranty. Please contact Technical Service at 1-800-274-6846 for further clarification.

How to Get Technical Support

Please contact Technical Service by calling 1-800-274-6846. **Please note that you will be asked to provide proof of initial purchase when calling.** If a product requires further inspection, the Technical Service representative will explain and assist with any additional action needed. JET has Authorized Service Centers located throughout the United States. For the name of an Authorized Service Center in your area call 1-800-274-6846 or use the Service Center Locator on the JET website.

More Information

JET is constantly adding new products. For complete, up-to-date product information, check with your local distributor or visit the JET website.

How State Law Applies

This warranty gives you specific legal rights, subject to applicable state law.

Limitations on This Warranty

JET LIMITS ALL IMPLIED WARRANTIES TO THE PERIOD OF THE LIMITED WARRANTY FOR EACH PRODUCT. EXCEPT AS STATED HEREIN, ANY IMPLIED WARRANTIES OF MERCHANTABILITY AND FITNESS FOR A PARTICULAR PURPOSE ARE EXCLUDED. SOME STATES DO NOT ALLOW LIMITATIONS ON HOW LONG AN IMPLIED WARRANTY LASTS, SO THE ABOVE LIMITATION MAY NOT APPLY TO YOU.

JET SHALL IN NO EVENT BE LIABLE FOR DEATH, INJURIES TO PERSONS OR PROPERTY, OR FOR INCIDENTAL, CONTINGENT, SPECIAL, OR CONSEQUENTIAL DAMAGES ARISING FROM THE USE OF OUR PRODUCTS. SOME STATES DO NOT ALLOW THE EXCLUSION OR LIMITATION OF INCIDENTAL OR CONSEQUENTIAL DAMAGES, SO THE ABOVE LIMITATION OR EXCLUSION MAY NOT APPLY TO YOU.

JET sells through distributors only. The specifications listed in JET printed materials and on official JET website are given as general information and are not binding. JET reserves the right to effect at any time, without prior notice, those alterations to parts, fittings, and accessory equipment which they may deem necessary for any reason whatsoever. JET® branded products are not sold in Canada by JPW Industries, Inc.

Product Listing with Warranty Period

90 Days – Parts; Consumable items
1 Year – Motors; Machine Accessories
2 Year – Metalworking Machinery; Electric Hoists, Electric Hoist Accessories; Woodworking Machinery used for industrial or commercial purposes
5 Year – Woodworking Machinery
Limited Lifetime – JET Parallel clamps; VOLT Series Electric Hoists; Manual Hoists; Manual Hoist Accessories; Shop Tools; Warehouse & Dock products; Hand Tools; Air Tools

NOTE: JET is a division of JPW Industries, Inc. References in this document to JET also apply to JPW Industries, Inc., or any of its successors in interest to the JET brand.

4.0 About this manual

This manual is provided by JET, covering the safe operation and maintenance procedures for a JET Model GHB-1340A and GHB-1440A Lathe. This manual contains instructions on installation, safety precautions, general operating procedures, and maintenance instructions. Your machine has been designed and constructed to provide consistent, long-term operation if used in accordance with the instructions as set forth in this document.

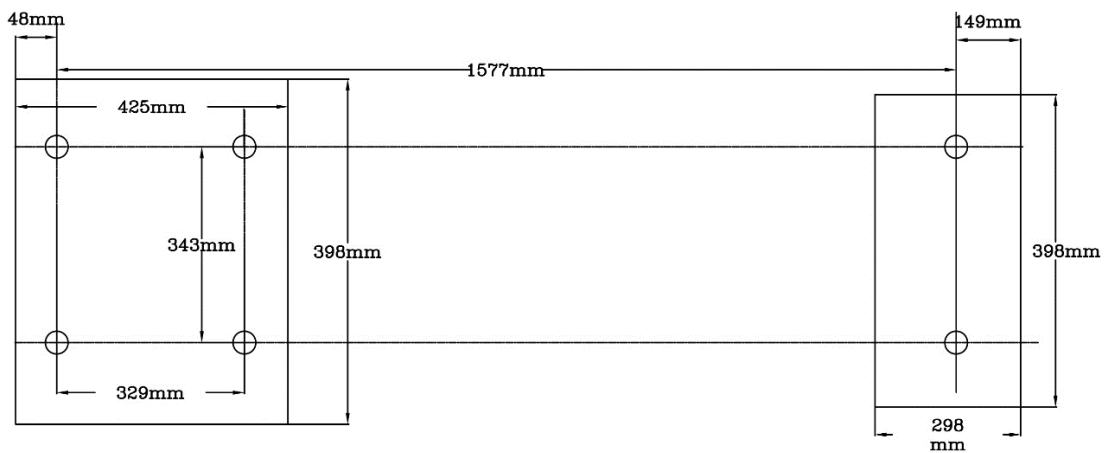
If there are questions or comments, please contact your local supplier or JET. JET can also be reached at our web site: www.jettools.com.

Retain this manual for future reference. If the machine transfers ownership, the manual should accompany it.

⚠ WARNING Read and understand the entire contents of this manual before attempting assembly or operation! Failure to comply may cause serious injury!

5.0 Dimensions for optional stand (p/n 321443AK)

To purchase this optional stand for the GHB-1340A Lathe, contact your dealer or call JET customer service.



height: 598mm

Figure 1

6.0 Specifications

Stock Number **321357A** **321359A**
Model Number GHB-1340A GHB-1440A

Capacities:

Swing Over Bed 13" 14-1/5"
Swing Over Cross Slide 7-25/32" 9"
Swing Through Gap 18-3/4" 20"
Length of Gap 8" 8"
Distance Between Centers 40" 40"

Headstock:

Hole Through Spindle 1-3/8" 1-3/8"
Spindle Nose D1-4 D1-4
Taper in Spindle Nose MT-5 MT-5
Spindle Taper Adapter MT-3 MT-3
Spindle Bearing Type Taper Roller Bearing Taper Roller Bearing
Number of Spindle Speeds 8 8
Range of Spindle Speeds 70-2000 RPM 70-2000 RPM

Gearbox:

Number of Longitudinal and Cross Feed Rates 22/22 22/22
Range of Longitudinal Feeds (inch/rev) 0.0018" – 0.0374" 0.0018" – 0.0374"
Range of Cross Feeds (inch/rev) 0.0006" – 0.0130" 0.0006" – 0.0130"
Number of Inch Threads 38 38
Range of Inch Threads 3-1/2 – 80 TPI 3-1/2 – 80 TPI
Number of Metric Threads 23 23
Range of Metric Threads 0.45 - 10mm 0.45 - 10mm
Leadscrew 7/8" x 8 TPI 7/8" x 8 TPI
Feed Rod Diameter 3/4" 3/4"

Compound and Carriage:

Toolpost Type 4-Way 4-Way
Maximum Tool Size 5/8" x 5/8" 5/8" x 5/8"
Maximum Compound Slide Travel 2-11/16" 2-11/16"
Maximum Cross Slide Travel 6-5/16" 6-5/16"
Maximum Carriage Travel 35" 35"

Tailstock:

Tailstock Spindle Travel 3-3/4" 3-3/4"
Diameter of Tailstock Spindle 1-1/4" 1-1/4"
Taper in Tailstock Spindle MT-3 MT-3

Miscellaneous:

Steady Rest Capacity 1/4" – 2-5/8" 1/4" – 2-5/8"
Follow Rest Capacity 1/4" – 2-3/4" 1/4" – 2-3/4"
Length of Bed 54" 54"
Width of Bed 7-3/8" 7-3/8"
Height of Bed 12" 12"
Overall Dimensions 79"L x 28-1/2"W x 30"H 79"L x 28-1/2"W x 30"H
Main Motor 2HP, 1PH, 230V only 2HP, 1PH, 230V only
Net Weight (approx.) 1155 lbs 1210 lbs.
Shipping Weight (approx.) 1365 lbs 1430 lbs.

The specifications in this manual were current at time of publication, but because of our policy of continuous improvement, JET reserves the right to change specifications at any time and without prior notice, without incurring obligations.

7.0 Setup and assembly

7.1 Shipping contents

See Figure 2.

- 1 Lathe
- 1 Steady Rest (mounted on lathe)
- 1 Follow Rest (mounted on lathe)
- 1 6" Three Jaw Chuck (mounted on lathe)
- 1 8" Four Jaw Chuck
- 1 12" Face Plate (strapped to container)
- 3 Cam Locks
- 3 Socket Head Cap Screws
- 1 Tool Box (strapped to container)
- 1 Chip Tray
- 1 Splash Guard
- 1 Lifting Hook
- 2 Lifting Blocks

Tool Box:

- 3 Open End Wrenches (9/11, 10/12,12/14mm)
- 1 Touch-Up Paint
- 1 Oil Can
- 1 Hex Key Set (2, 2.5, 3, 4, 5, 6, 8mm)
- 2 Shear Pins
- 1 33T Gear
- 1 44T Gear
- 1 46T Gear
- 1 48T Gear
- 1 52T Gear
- 2 T-Handle Chuck Wrenches
- 1 Tool Post Wrench
- 2 MT-3 Centers
- 1 MT-3 to MT-5 Center Sleeve
- 1 Cross Point Screwdriver
- 1 Flat Head Screwdriver
- 1 Key for Cam Locks
- 1 Operating Instructions
- 1 Part's List
- 1 Warranty Card



Figure 2

7.2 Uncrating and Cleanup

▲WARNING Machine is heavy. Use an appropriate lifting device and use extreme caution when moving the machine to its final location. Failure to comply may cause serious injury.

1. Finish removing the wooden crate from around the lathe.
2. Unbolt the lathe from the shipping crate bottom.
3. Choose a location for the lathe that is dry, has good lighting, and has enough room to be able to service the lathe on all four sides.
4. Move the carriage and tailstock to the tailstock end of the bed.
5. Assemble parts fastened to the crate bottom used to lift the lathe. See Fig. 3. (Note: Lifting parts are not tightened in Fig. 3 to show detail.) Using a piece of leather or a block of wood under the metal block to protect the ways during lifting is highly recommended.

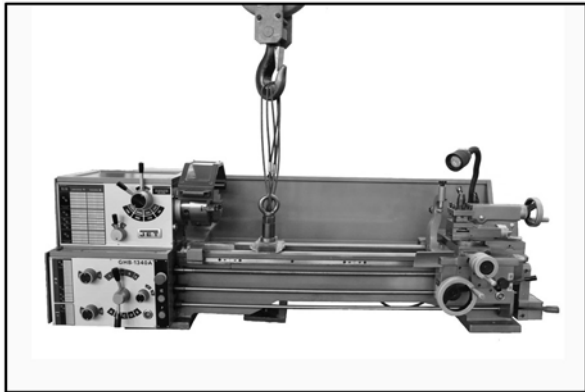


Figure 3

6. With adequate lifting equipment, slowly raise the lathe off the shipping crate bottom. Make sure lathe is balanced before moving to sturdy bench or optional stand.
7. To avoid twisting the bed, the lathe's location must be absolutely flat and level. Bolt the lathe to the stand (if used). If using a bench, through-bolt for best performance.
8. Clean all rust protected surfaces using a mild commercial solvent, kerosene or diesel fuel. Do not use paint thinner, gasoline, or lacquer thinner. These will damage painted surfaces. Cover all cleaned surfaces with a light film of Mobil DTE® Oil Heavy Medium.
9. Remove the end gear cover. Clean all components of the end gear assembly and coat all gears with a heavy, non-slinging grease.
10. Using a machinist's precision level on the bedways, check to make sure lathe is level side to side and front to back. Loosen

mounting bolts, shim, and tighten mounting bolts, if necessary. The lathe must be level to be accurate.

7.3 Chuck Preparation (Three Jaw)

▲WARNING Read and understand all directions for chuck preparation. Failure to comply may cause serious injury and/or damage to the lathe.

Note: Before removing the chuck from the spindle, place a way board across the bedways under the chuck.

1. Support the chuck while turning three camlocks 1/4 turn counter-clockwise with the chuck key enclosed in the toolbox. Figure 4 shows the cam in the secure position. Line up the two marks (A, Fig. 4) for removal.

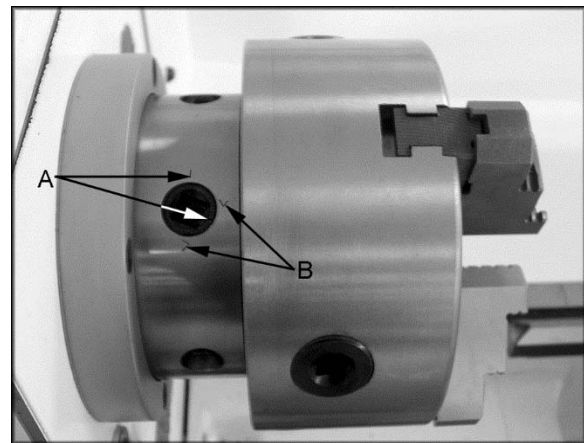


Figure 4

2. Carefully remove the chuck from the spindle and place on an adequate work surface.
3. Inspect the camlock studs. Make sure they have not become cracked or broken during transit. Clean all parts thoroughly with solvent. Also clean the spindle and camlocks.
4. Cover all chuck jaws and scroll inside the chuck with Mobilith® AW2. Cover the spindle, cam locks, and chuck body with a light film of Mobil DTE® Oil Heavy Medium.
5. Lift the chuck up to the spindle nose and press onto the spindle. Tighten in place by turning the cam locks 1/4 turn clockwise. The index mark (A, Fig. 4) on the camlock should be between the two indicator arrows (B, Fig. 4). If the index mark is not between the two arrows, remove the chuck and adjust the camlock studs by either turning out one full turn (if cams will not engage) or turning in one full turn (if cams turn beyond indicator marks).
6. Install chuck and tighten in place.

ATTENTION: Only when the incised line on the chuck lines up with that on the spindle, can the chuck be mounted.

7.4 Chuck Guard Installation

Install the chuck guard to the headstock, if it is not already mounted. (See parts breakdown if clarification is needed for assembly.)

8.0 Lubrication

CAUTION Lathe must be serviced at all lubrication points and all reservoirs filled to operating level before the lathe is placed into service. Failure to comply may cause serious damage to the lathe.

1. **Headstock** - Oil must be up to indicator mark in oil sight glass (A, Fig. 5). Top off with Mobil DTE® Oil Heavy Medium. Fill by pulling plug located on top of the headstock cover, underneath the rubber mat. Drain oil by removing drain plug (B, Fig. 6) and refill after the first month of operation. Clean out any metal shavings. Then, change oil in the headstock annually.
2. **External Gears** - Coat all gears with a heavy, non-slinging grease, see Figure 6.
3. **Gear Shaft** - Remove the set screw (C, Fig. 6) and oil with a couple drops of Mobil DTE® Oil Heavy Medium once weekly.
4. **Gearbox** - Oil must be up to indicator mark in oil sight glass (D, Fig. 7). Top off with Mobil DTE® Oil Heavy Medium. Fill by removing plug (E, Fig. 6). Drain oil by removing drain plug (F, Fig. 6) and refill after the first month of operation. Then, change oil in the gearbox annually.
5. **Apron** - Oil must be up to indicator mark in oil sight glass (A, Fig. 7). Top off with Mobil DTE® Oil Heavy Medium. Fill by removing oil plug (B, Fig. 7). After the first three months of operation, drain oil completely (drain is on the bottom of the apron) and refill with Mobil DTE® Oil Heavy Medium, or equivalent to the indicator line. Then, change oil annually.
6. **Feed Selector** - Lubricate ball oiler (C, Fig. 7) once daily with Mobil DTE® Oil Heavy Medium.
7. **Carriage** - Lubricate two ball oilers (D, Fig. 7) once daily with Mobil DTE® Oil Heavy Medium.
8. **Threading Dial Indicator** - Lubricate ball oiler (E, Fig. 7) once daily with Mobil DTE® Oil Heavy Medium.

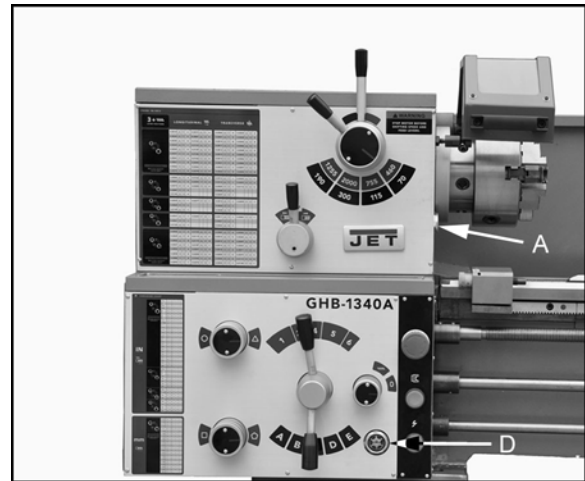


Figure 5



Figure 6

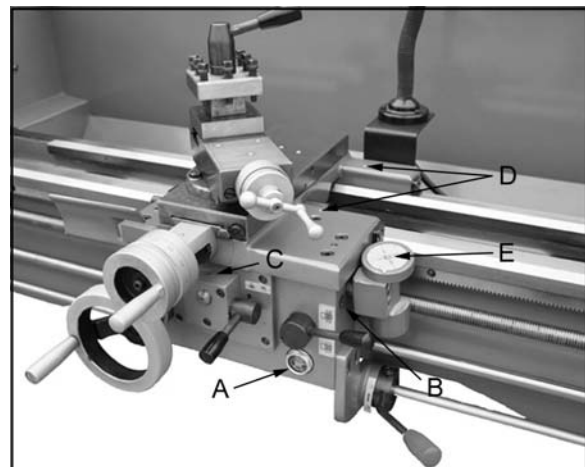


Figure 7

9. **Compound Rest** - Lubricate three ball oilers (F, Fig. 8) once daily with Mobil DTE® Oil Heavy Medium.
10. **Cross Slide** - lubricate four ball oilers (G, Fig. 8) once daily with Mobil DTE® Oil Heavy Medium.
11. **Longitudinal Feed Handwheel** - Lubricate ball oiler (H, Fig. 8) once daily with Mobil DTE® Oil Heavy Medium.

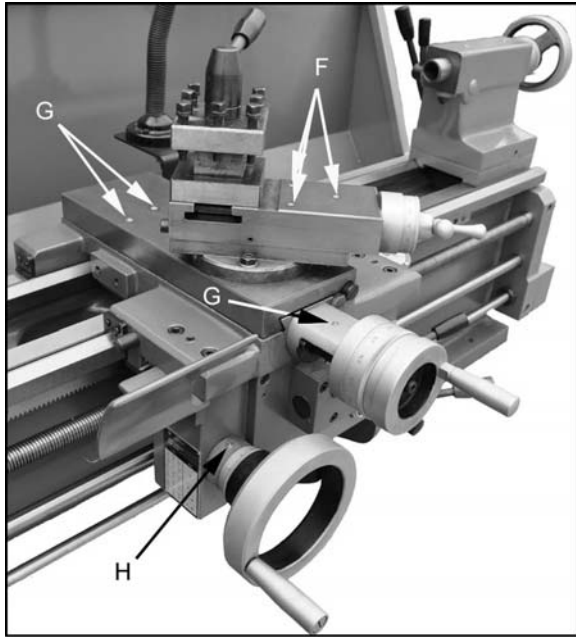


Figure 8

12. **Tailstock** - Lubricate three ball oilers (I, Fig. 9) once daily with Mobil DTE® Oil Heavy Medium.
13. **Leadscrew/Feed Rod** - Lubricate three ball oilers once daily (J, Fig. 9) with Mobil DTE® Oil Heavy Medium.

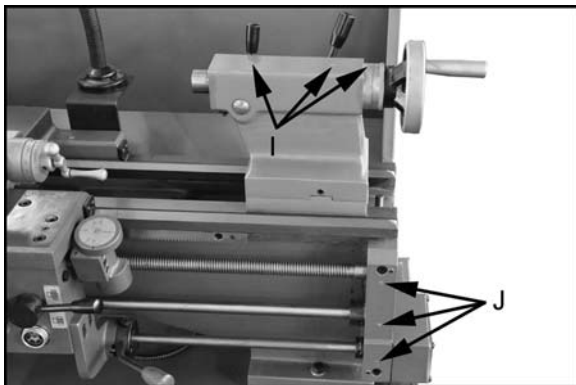


Figure 9

9.0 Electrical Connections

⚠WARNING All electrical connections must be completed by a qualified electrician. Failure

to comply may cause serious injury and/or damage to the machinery and property.

The GHB-1340A and GHB-1440A bench lathes are rated at 2HP, 1PH, 230V only. Confirm power available at the lathe's location is the same rating as the lathe.

Make sure the lathe is properly grounded.

10.0 General Description

10.1 Lathe Bed

The lathe bed (A, Fig. 10) is made of high grade cast iron. By combining high cheeks with strong cross ribs, a bed with low vibration and high rigidity is realized. Two precision ground V-slideways, reinforced by heat hardening and grinding, are an accurate guide for the carriage and headstock. The main drive motor is mounted to the rear of the bed.

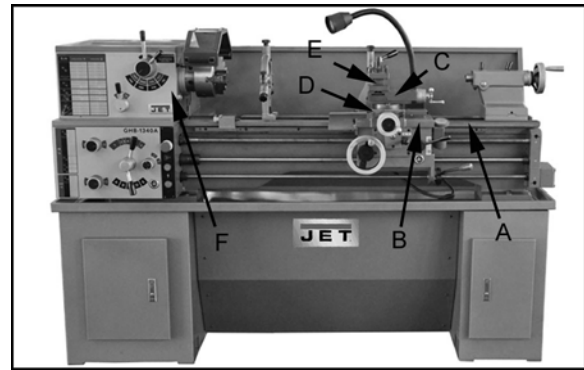


Figure 10

10.2 Carriage

The carriage (B, Fig. 10) is made from high quality cast iron. The sliding parts are smooth ground. The cross-slide is mounted on the carriage and moves on a dove-tailed slide which can be adjusted for play by means of the gibs.

The compound slide (C, Fig. 10), which is mounted on the cross slide (D, Fig. 10), can be rotated through 360°. The compound slide and the cross slide travel in a dovetail slide and have adjustable gibs. A four-way tool post (E, Fig. 10) is fitted on the compound slide.

10.3 Headstock

The headstock (F, Fig. 10) is cast from high grade, low vibration cast iron. It is mounted to the bed by four bolts with two adjusting bolts for alignment. In the head, the spindle is mounted on two precision taper roller bearings. The hollow spindle has Morse Taper #5 with a 1-1/2" bore.

10.4 Four Way Tool Post

The four-way tool post (E, Fig. 10) is mounted on the compound slide and allows a maximum of four tools to be mounted simultaneously. Remember to

use a minimum of two clamping screws when installing a cutting tool.

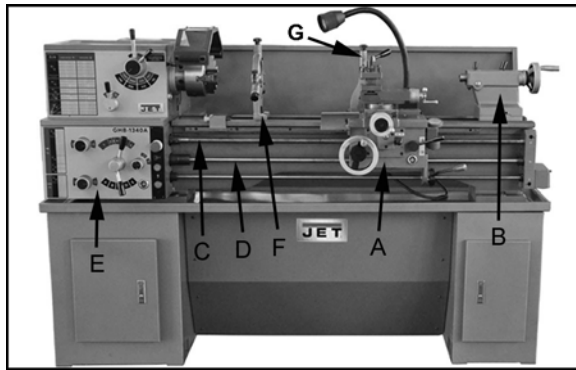


Figure 11

10.5 Apron

The apron (A, Fig. 11) is mounted to the carriage. In the apron a half nut is fitted. The half nut gibs can be adjusted from the outside. The half nut is engaged by use of a lever. Quick travel of the apron is accomplished by means of a bed-mounted rack and pinion, operated by a hand wheel on the front of the apron.

10.6 Tailstock

The tailstock (B, Fig. 11) slides on a v-way and can be locked at any location by a clamping lever. The tailstock has a heavy-duty spindle with a Morse Taper #3.

10.7 Leadscrew and Feed Rod

The leadscrew (C Fig. 11) and feed rod (D, Fig. 11) are mounted on the front of the machine bed. They are connected to the gearbox at the left for automatic feed and lead. They are supported by bushings on both ends. Both are equipped with brass shear pins.

10.8 Gear Box

The gear box (E, Fig. 11) is made from high quality cast iron and is mounted to the left side of the machine bed.

10.9 Steady Rest

The steady rest (F, Fig. 11) serves as a support for shafts on the free tailstock end. The steady rest is mounted on the bedway and secured from below with a bolt, nut and locking plate. The sliding fingers require continuous lubrication at the contact points with the workpiece to prevent premature wear.

10.10 Follow Rest

The traveling follow rest (G, Fig. 11) is mounted on the saddle and follows the movement of the turning tool. Only two fingers are required as the turning tool takes the place of the third. The follow rest is

used for tuning operations on long, slender workpieces. It prevents flexing of the workpiece from the pressure of the cutting tool.

The sliding fingers are set similar to the steady rest, free of play, but not binding. The sliding fingers require continuous lubrication at the contact points with the workpiece to prevent premature wear.

11.0 Controls

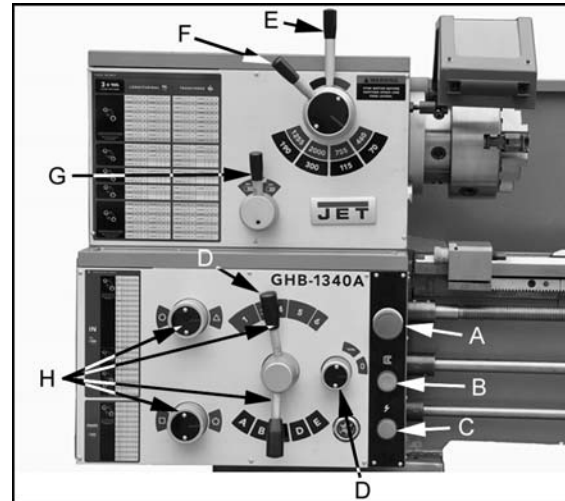


Figure 12

1. **Emergency Stop Switch** (A, Fig. 12) - depress to stop all machine functions. Caution: lathe will still have power. Turn clockwise to re-set.
2. **Jog Switch** (B, Fig. 12) - Depress and release to advance spindle momentarily.
3. **Power Indicator Light** (C, Fig. 12) - Lit whenever lathe has power.
4. **Feed Rod/Leadscrew Selector** (D, Fig. 12) Use knob and lever to activate leadscrew and feed rod.
5. **High/Low Speed Selector Lever** (E, Fig. 12) - Move to the left for low speed range. Move to the right for high speed range.
6. **Four Step Speed Selector Lever** (F, Fig. 12) - Use to select one of four spindle speeds in either high or low range.
7. **Feed Direction Selector** (G, Fig. 12) - Selects carriage travel direction when the chuck is rotating in the forward direction or counter-clockwise as viewed from the front of the chuck.
8. **Feed Rate Selector** (H, Fig. 12) - Use knobs and handles to set desired feed, or lead rates.
9. **Forward/Reverse Lever** (I, Fig. 13) - Pull lever up for clockwise spindle rotation (reverse). Push lever down for counter-clockwise spindle rotation (forward). Neutral

position is a center detent and the spindle remains idle.

10. **Compound Rest Lock (J, Fig. 13)** - Turn hex nut clockwise to lock and counter-clockwise to unlock.
11. **Compound Slide Lock (K, Fig. 13)** - Turn set screw clockwise to tighten and counter-clockwise to loosen.
12. **Cross Slide Lock (L, Fig. 13)** - Turn set screw clockwise, and tighten to lock. Turn counter-clockwise and loosen to unlock. **Caution:** *Cross slide lock screw must be unlocked before engaging automatic feeds or damage to the lathe may occur.*
13. **Carriage Lock (M, Fig. 13)** - Turn hex socket cap screw clockwise and tighten to lock. Turn counterclockwise and loosen to unlock. **Caution:** *Carriage lock screw must be unlocked before engaging automatic feeds or damage to lathe may occur.*
14. **Longitudinal Traverse Hand Wheel (A, Fig. 14)** – Rotate hand wheel clockwise to move the apron assembly toward the tailstock (right). Rotate the wheel counterclockwise to move the apron assembly toward the headstock (left).
15. **Feed Selector (B, Fig. 14)** – Push lever to the left and down to activate the crossfeed function. Pull lever to the right and up to activate the longitudinal function.
16. **Half Nut Engagement Lever (thread cutting) (C, Fig. 14)** – Move the lever down to engage. Move the lever up to disengage.
17. **Cross Traverse Handwheel (D, Fig. 14)** – Clockwise rotation moves the cross slide toward the rear of the machine.
18. **Compound Rest Traverse Handwheel (E, Fig. 14)** – Rotate clockwise or counterclockwise to move or position.
19. **Tool Post Clamping Lever (F, Fig. 14)** – Rotate counter-clockwise to loosen and clockwise to tighten. Rotate the tool post when the lever is unlocked.
20. **Threading Dial (G, Fig. 14)** – Engage by pushing into the leadscrew. Pull out to disengage. The dial indicator and chart will specify at which point a thread can be entered.
21. **Tailstock Quill Clamping Lever (H, Fig. 15)** – Lift up to lock the spindle. Push down to unlock.
22. **Tailstock Clamping Lever (I, Fig. 15)** – Lift up lever to lock. Push down lever to unlock.
23. **Tailstock Quill Traverse Handwheel (J, Fig. 15)** – Rotate clockwise to advance the quill. Rotate counter-clockwise to retract the quill.

24. **Tailstock Off-Set Adjustment (K, Fig. 15)** – Three set screws located on the tailstock base are used to off-set the tailstock for cutting tapers. Loosen lock screw on tailstock end. Loosen one side set screw (K, Fig. 15) while tightening the other until the amount of off-set is indicated on scale. Tighten lock screw.

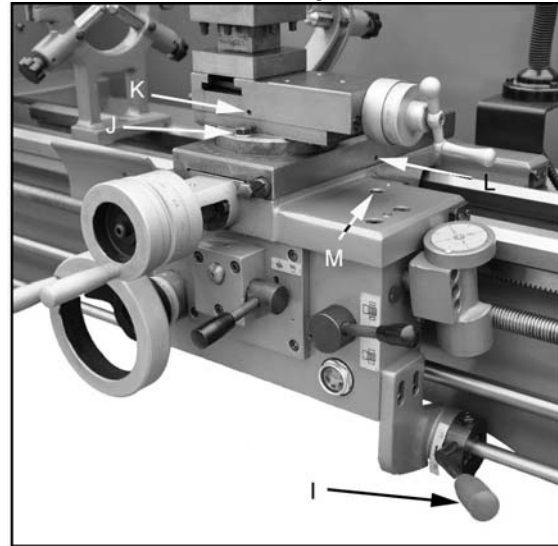


Figure 13

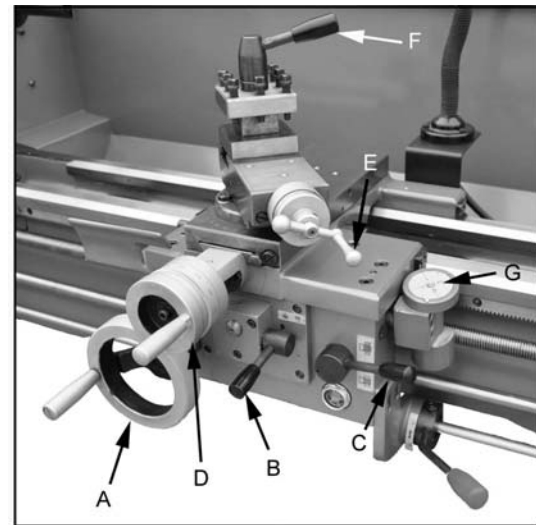


Figure 14

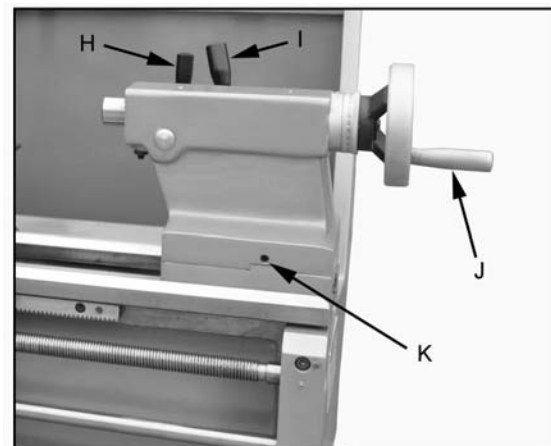


Figure 15

12.0 Operation

12.1 Break-In Procedure

During manufacturing and testing, this lathe has been operated in the low R.P.M. range for three hours.

To allow time for the gears and bearings to break-in and run smoothly, do not run the lathe above 755 R.P.M. for the first six hours of operation and use.

12.2 Feed and Thread Selection

1. Reference the feed and thread table (A, Fig. 16).
2. Move knobs and handle (B, Fig. 16) to the appropriate position.

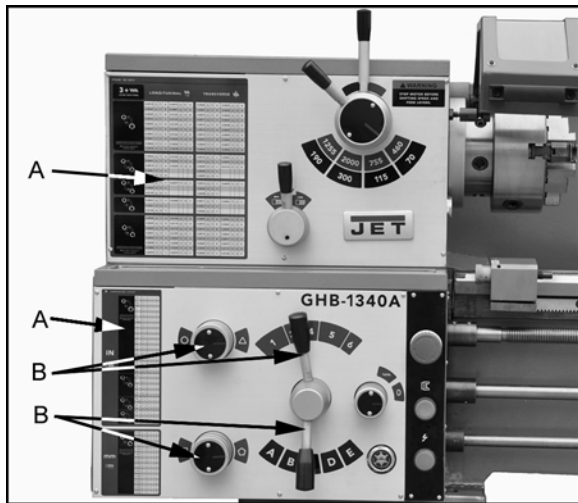


Figure 16

12.3 Change Gear Replacement

Note: the 32T x 127T x 48T gears are installed in the end gear compartment when delivered from the factory. This combination will cover most inch feeds and threads under normal circumstances. The additional gears found in the toolbox are used for some metric threads and feeds.

1. Disconnect the machine from the power source.
2. Open the end cover on the left end of the headstock.
3. Loosen the socket head cap screw (D, Fig. 17) and hex nuts (E & F, Fig. 17). Move the quadrant out of the way.
4. Change gears (G, Fig. 17) to match the feed and thread chart.
5. Thoroughly clean and install new gears.
6. Move the quadrant so the large gear meshes with the smaller gears and tighten to secure in place. Note: Make sure there is backlash of 0.002" – 0.003" between gears. Setting the

gears too tight will cause excessive noise and wear.

7. Close the cover and connect the machine to the power source.

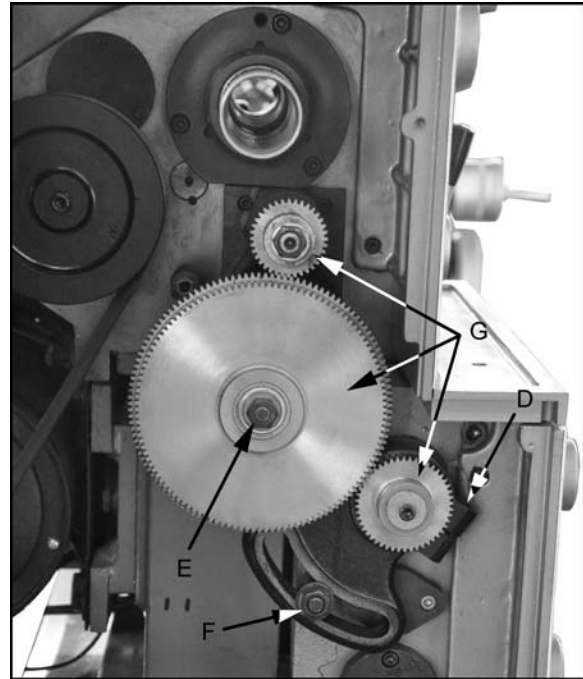


Figure 17

12.4 Automatic Feed Operation and Feed Changes

1. Move the forward/reverse selector (A, Fig. 18) up or down depending on desired direction.

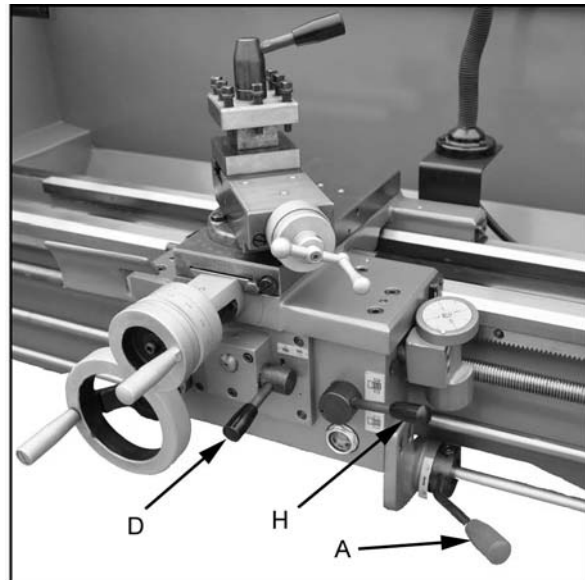


Figure 18

2. Set the selector handle (B, Fig. 19) to the "3" position and turn knob (C, Fig. 19) counter-clockwise so the arrow is pointing up to start the feed rod rotating.

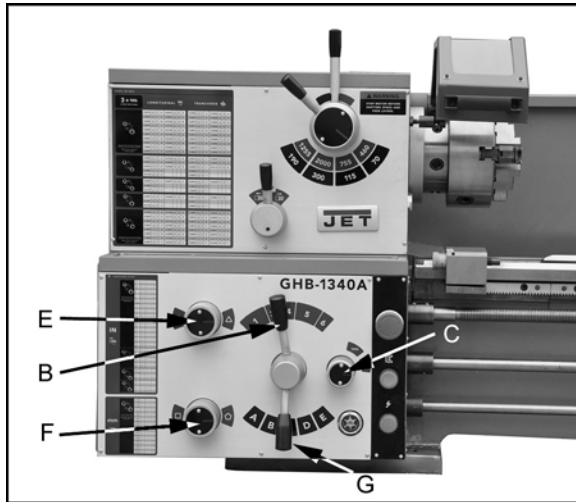


Figure 19

12.5 Powered Carriage Travel

Push lever (D, Fig. 18) to the left and down to engage crossfeed. Pull lever to the right and up to engage longitudinal feed.

12.6 Thread Cutting

1. Set feed rate selectors (B, E, F, G, Fig. 19) in proper position for the correct feed rate of the thread pitch to be cut.
2. Move knob (C, Fig. 19) to the "0" position to disengage the feed rod.
3. Engage the half nut lever (H, Fig. 18).
4. The half nut lever and the threading dial are used to thread in the conventional manner. The thread dial chart specifies at which point a thread can be entered using the threading dial.
5. To cut metric threads, the half nuts must be left continually engaged once the start point has been selected and the half nut is initially engaged (thread dial cannot be used).

13.0 Adjustments

13.1 Saddle adjustment

1. Loosen four hex nuts (A, Fig. 20) found on the bottom rear of the cross slide.
2. Turn each of the four set screws (B, Fig.20) equally with a hex wrench until a slight resistance is felt. Do not over tighten.
3. Move the carriage with the hand wheel and determine if drag is to your preference. Readjust the setscrews as necessary to achieve the desired drag.
4. Hold socket set screw firmly with a hex wrench and tighten hex nut to lock in place.

5. Move the carriage again and adjust if necessary. **Note:** over adjustment will cause excessive premature wear of the gibs.

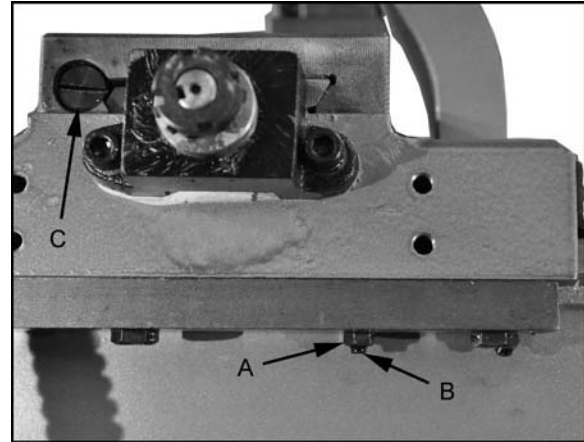


Figure 20

13.2 Cross Slide adjustment

If the cross slide is too loose, follow procedure below to tighten:

1. Loosen the rear gib screw (C, Fig. 20) approximately one turn.
2. Tighten front gib screw a quarter turn. Turn the cross slide handwheel to see if the cross slide is still loose. If it is still loose, tighten the front screw a bit more and try again.
3. When cross slide is properly adjusted, snug rear gib screw. Do not overtighten; this will cause premature wear on the gib and mating parts.

13.3 Compound Slide adjustment

Follow the same procedure, as the cross slide adjustment, to adjust the compound rest.

13.4 Tailstock adjustment

If the handle will not lock the tailstock securely, use the following procedure:

1. Lower handle to the unlocked position.
2. Slide tailstock to an area that will allow you to reach under the tailstock.
3. Tighten tailstock clamping nut 1/4 turn, and re-test for proper locking. Repeat as necessary.

13.5 Half Nut Gib adjustment

1. Remove the thread dial assembly by unscrewing the screw (D, Fig. 21).
2. Loosen three hex nuts (E, Fig. 21) found on the side of apron, and turn three set screws (F, Fig. 21) equally with a hex wrench.
3. Adjust properly for wear and play. Hold socket set screw firmly with a hex wrench and tighten hex nut to lock in place. **Note:** over adjustment will cause excessive premature wear on gib and mating parts.

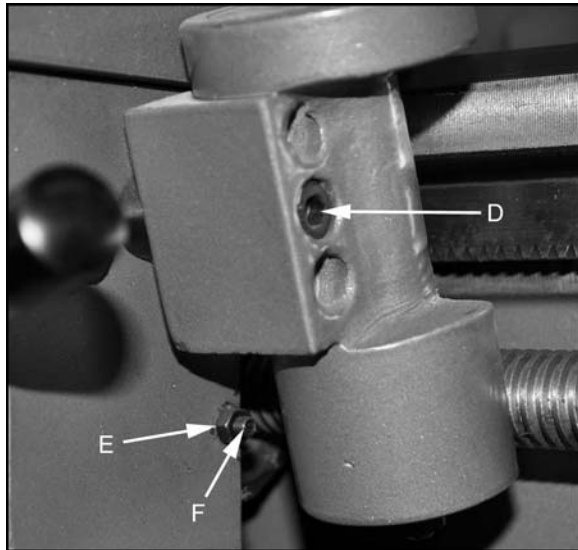


Figure 21

13.6 Headstock Alignment

The headstock has been aligned at the factory and should not require adjustment. However, if adjustment is deemed necessary, follow the procedure below to align the headstock.

1. Using an engineer's precision level on the bedways, make sure the lathe is level side to side and front to back. If the lathe is not level, correct to a level condition before proceeding. Re-test alignment if any leveling adjustments were made.
2. From steel bar stock of approximately two inches in diameter, cut a piece approximately eight inches long.
3. Place two inches of bar stock into chuck and tighten chuck. Do not use the tailstock or center to support the other end.
4. Set up and cut along five inches of the bar stock.
5. Using a micrometer, measure the bar stock next to the chuck and at the end. The measurement should be the same.
6. If the measurements are not the same and adjustment is required, loosen the four bolts

that hold the headstock to the bed. Do not loosen completely; some drag should remain.

7. Loosen two hex nuts found on the two adjusting bolts located on the backside of headstock just above the motor mount bracket. Adjust the bolts for alignment and tighten hex nuts. Tighten the headstock bolts and make another cut. Keep adjusting screws after each cut until the bar stock measurements are the same. Tighten all headstock bolts and jam nuts on adjusting screws.

13.7 Removing Gap Bridge

1. Using an open end wrench, tighten the two hex nuts (A, Fig. 22). This will cause the taper pins (B, Fig. 22) to release. Remove the taper pins.
2. Remove the four hex socket cap screws (C, Fig. 22) with a hex key wrench.
3. Gap bridge can now be removed.

13.8 Installing Gap Bridge

1. Clean the bottom and the ends of the gap bridge thoroughly.
2. Set gap bridge in place and align.
3. Remove nuts (A, Fig. 22) from the taper pins (B, Fig. 22).
4. Slide taper pins in their respective holes and seat using a mallet. Install nuts on the taper pins finger tight.
5. Install four socket head cap screws (C, Fig. 22) and tighten securely.

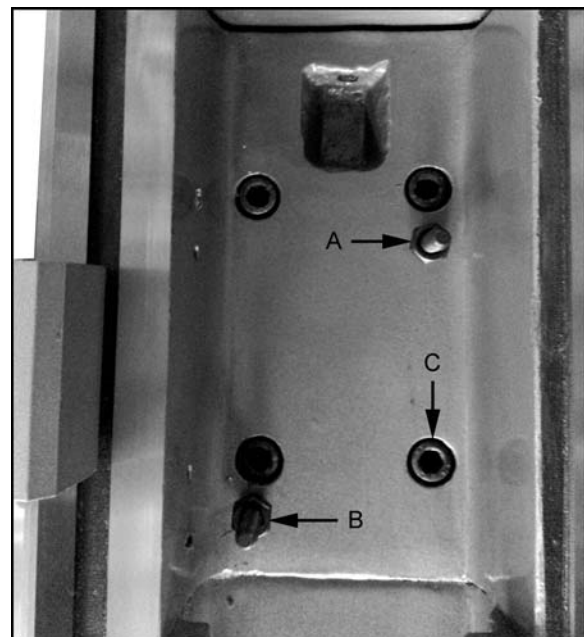



Figure 22

14.0 Thread and Feed Chart

FEED IN / REV

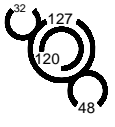
3+  LEVER POSITIONS

LONGITUDINAL

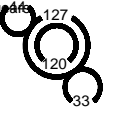


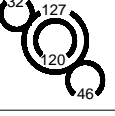
TRANSVERSE

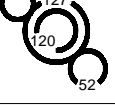


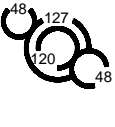
	0.0018	△	□	A	0.0073	△	□	A
	0.0020	△	□	E	0.0081	△	□	E
	0.0030	△	□	B	0.0122	△	□	B
	0.0033	△	□	C	0.0133	△	□	C
	0.0035	△	□	D	0.0139	△	□	D
	0.0037	○	□	A	0.0146	○	□	A
	0.0041	○	□	E	0.0162	○	□	E
	0.0061	○	□	B	0.0244	○	□	B
	0.0066	○	□	C	0.0266	○	□	C
	0.0070	○	□	D	0.0278	○	□	D

ATTE
R&T I O
cities
represent

	0.0036	△	□	A	0.0162	△	□	E
	0.0041	△	□	E	0.0292	○	□	A
	0.0073	○	□	A	0.0325	○	□	E
	0.0081	○	□	E				
	0.0146	△	□	A				

	0.0035	△	□	C	0.0277	○	□	C
	0.0069	○	□	C				
	0.0139	△	□	C				

	0.0031	△	□	C	0.0245	○	□	C
	0.0061	○	□	C				
	0.0122	△	□	C				

	0.0026	△	□	A	0.0104	△	□	A
	0.0029	△	□	E	0.0115	△	□	E
	0.0043	△	□	B	0.0173	△	□	B
	0.0047	△	□	C	0.0187	△	□	C
	0.0052	○	□	A	0.0207	○	□	A
	0.0058	○	□	E	0.0230	○	□	E
	0.0086	○	□	B	0.0345	○	□	B
	0.0093	○	□	C	0.0374	○	□	C

ATTE
R&T I O
cities
represent

0.0006	△	□	A	0.0025	△	□	A
0.0007	△	□	E	0.0028	△	□	E
0.0010	△	□	B	0.0042	△	□	B
0.0011	△	□	C	0.0046	△	□	C
0.0012	△	□	D	0.0048	△	□	D
0.0013	○	□	A	0.0050	○	□	A
0.0014	○	□	E	0.0056	○	□	E
0.0021	○	□	B	0.0084	○	□	B
0.0023	○	□	C	0.0091	○	□	C
0.0024	○	□	D	0.0096	○	□	D

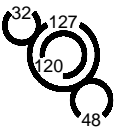


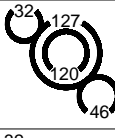
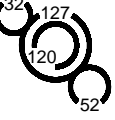
0.0012	△	□	A	0.0055	△	□	E
0.0014	△	□	E	0.0099	○	□	A
0.0025	○	□	A	0.0112	○	□	E
0.0028	○	□	E				
0.0049	△	□	A				

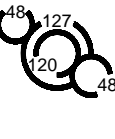

0.0012	△	□	C	0.0095	○	□	C
0.0024	○	□	C				
0.0048	△	□	C				

0.0011	△	□	C	0.0084	○	□	C
0.0021	○	□	C				
0.0042	△	□	C				

0.0009	△	□	A	0.0036	△	□	A
0.0010	△	□	E	0.0040	△	□	E
0.0015	△	□	B	0.0059	△	□	B
0.0016	△	□	C	0.0065	△	□	C
0.0018	○	□	A	0.0071	○	□	A
0.0020	○	□	E	0.0079	○	□	E
0.0030	○	□	B	0.0119	○	□	B
0.0032	○	□	C	0.0130	○	□	C

 THREADING CHART

 <p>IN</p> <p>T.P.I</p> 	3½	○	◇	6	D		
	4	○	◇	6	B		
	5¼	○	◇	2	D		
	5½	○	◇	2	C		
	6	○	◇	4	C		
	7	△	◇	6	D		
	8	△	◇	6	B		
	9	○	◇	2	E		
	10½	○	◇	2	A		
	10	△	◇	2	D		
	11	△	◇	2	C		
	12	△	◇	4	C		
	14	○	□	6	D		
	16	○	□	6	B		
	18	△	◇	2	E		
	20	△	◇	2	A		
	21	○	□	2	D		
	22	○	□	2	C		
	24	○	□	4	C		
	28	△	□	6	D		
	32	△	□	6	B		
	36	○	□	2	E		
	40	○	□	2	A		
	42	△	□	2	D		
	44	△	□	2	C		
	48	△	□	4	C		
	72	△	□	2	E		
	80	△	□	2	A		
		4½	○	◇	2	E	
		5	○	◇	2	A	
		9	△	◇	2	E	
		10	△	◇	2	A	
		18	○	□	2	E	
		20	○	□	2	A	
		36	△	□	2	E	
		40	△	□	2	A	
			5¾	○	◇	4	C
			11½	△	◇	4	C
	23		○	□	4	C	
	46		△	□	4	C	
	6½	○	◇	4	C		
	13	△	◇	4	C		
	26	○	□	4	C		
	52	△	□	4	C		

 <p>mm</p> 	0.45	△	□	2	A
	0.50	△	□	2	E
	0.75	△	□	4	C
	0.90	○	□	2	A
	1.0	○	□	2	E
	1.25	△	□	1	B
	1.50	○	□	4	C
	1.75	△	◇	5	E
	1.80	△	◇	2	A
	2.00	△	◇	2	E
	2.25	○	□	6	B
	2.50	○	□	1	B
	2.75	△	◇	4	B
	3.00	△	◇	4	C
	3.50	○	◇	5	E
	3.60	○	◇	2	A
	4.00	○	◇	2	E
	4.50	△	◇	6	B
	5.00	△	◇	1	B
	5.50	○	◇	4	B
6.00	○	◇	4	C	
9.00	○	◇	6	B	
10.0	○	◇	1	B	

This page intentionally left blank.

This page intentionally left blank.



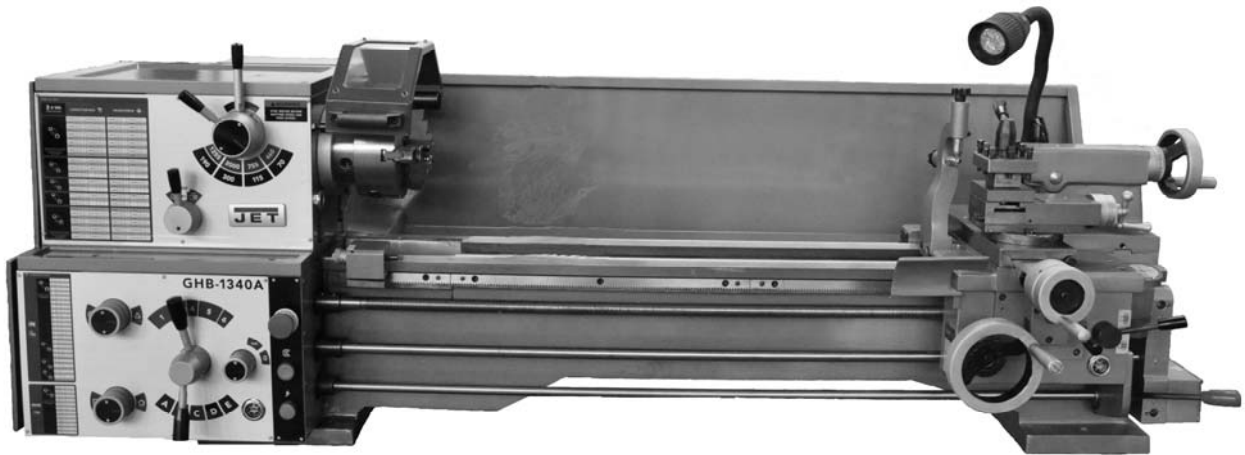
427 New Sanford Road
LaVergne, Tennessee 37086
Phone: 800-274-6848
www.jettools.com



Model No.:	Stock No.:
Serial No.:	
Purchased From:	
Date Purchased:	Date Installed:

Parts List and Electrical Diagrams

For Lathe models BDB-1340A, GHB-1340A, GHB-1440A



(GHB-1340A shown)

For GHB-1340A/1440A Operating Instructions, see document M-321357A-1
For BDB-1340A Operating Instructions, see document M-321360A

JET

427 New Sanford Road
LaVergne, Tennessee 37086
Ph : 800-274-6848
www.jettools.com

Part No. M-321357A
Revision J 05/2016
Copyright © 2016 JET

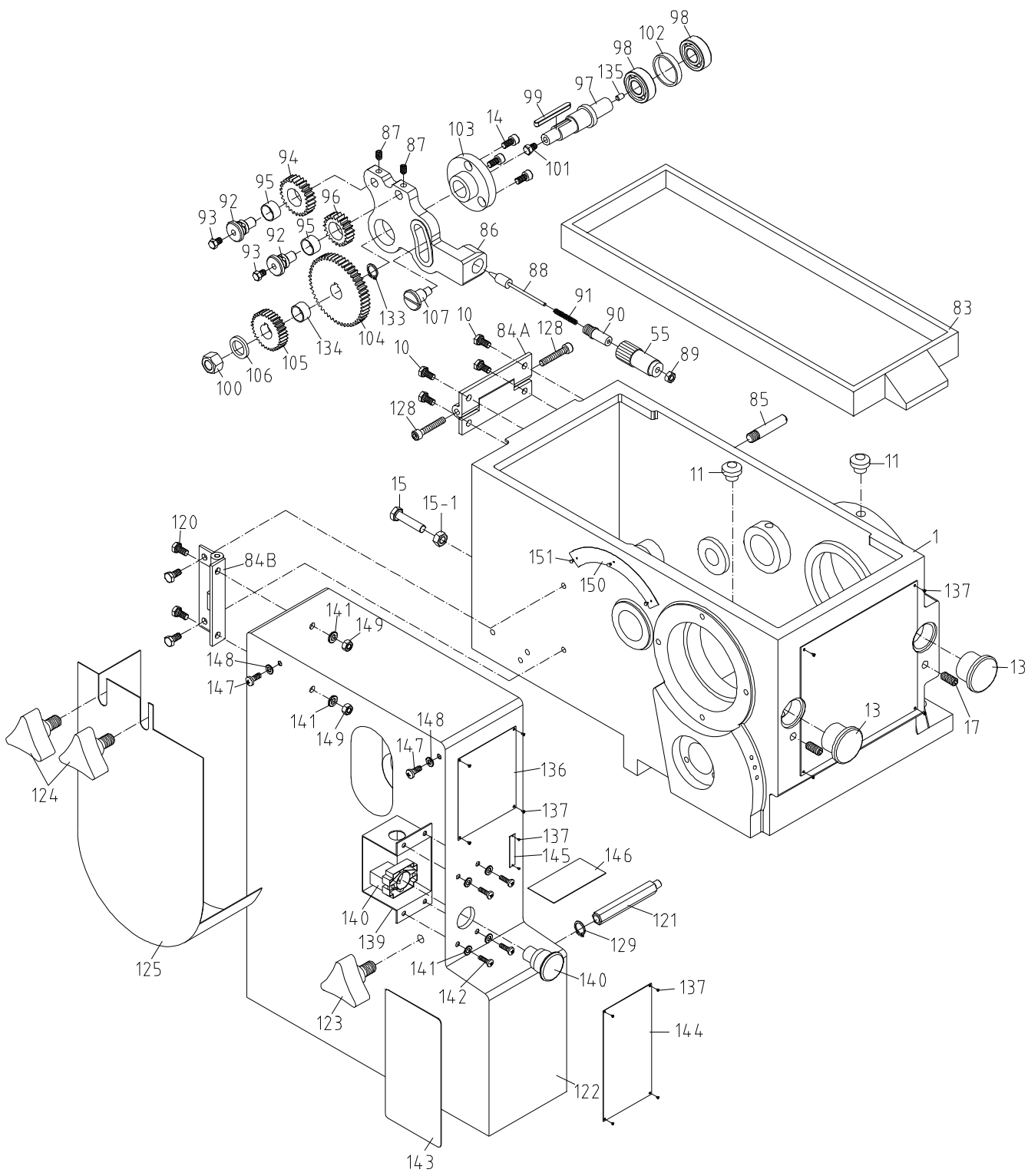
Table of contents

Section	Page
..... Table of contents	2
..... Replacement parts	3
1.0..... BDB-1340A Headstock Assembly I – Exploded View.....	4
1.1..... BDB-1340A Headstock Assembly I – Parts List	5-6
2.1..... BDB-1340A Headstock Assembly II – Exploded View.....	7
2.2..... BDB-1340A Headstock Assembly II – Parts List	8
3.1..... BDB-1340A Headstock Assembly III – Exploded View	9
3.2..... BDB-1340A Headstock Assembly III – Parts List.....	10
4.1..... GHB-1340A/1440A Headstock Assembly I – Exploded View.....	11
4.2..... GHB-1340A/1440A Headstock Assembly I – Parts List.....	12-13
5.1..... GHB-1340A/1440A Headstock Assembly II – Exploded View.....	14
5.2..... GHB-1340A/1440A Headstock Assembly II – Parts List	15
6.1..... GHB-1340A/1440A Headstock Assembly III – Exploded View	16
6.2..... GHB-1340A/1440A Headstock Assembly III – Parts List	17
7.1..... Bed Assembly I – Exploded View	18
7.2..... Bed Assembly I – Parts List.....	19-20
8.1..... Bed Assembly II – Exploded View	21
8.2..... Bed Assembly II – Parts List.....	22
9.1..... Gear Assembly I – Exploded View.....	23
9.2..... Gear Assembly I – Parts List	24-25
10.1..... Gear Assembly II – Exploded View	26
10.2..... Gear Assembly II – Parts List	27
11.1..... Gear Assembly III – Exploded View	28
11.2..... Gear Assembly III – Parts List.....	29
12.1..... Apron Assembly I – Exploded View.....	30
12.2..... Apron Assembly I – Parts List	31
13.1..... Apron Assembly II – Exploded View.....	32
13.2..... Apron Assembly II – Parts List	33
14.1..... Apron Assembly III – Exploded View.....	34
14.2..... Apron Assembly III – Parts List	34
15.1..... Micro Carriage Stop Assembly – Exploded View	35
15.2..... Micro Carriage Stop Assembly – Parts List.....	35
16.1..... Top Slide, Tool Post, Saddle, and Cross Slide I – Exploded View	36
16.2..... Top Slide, Tool Post, Saddle, and Cross Slide I – Parts List.....	37
17.1..... Top Slide, Tool Post, Saddle, and Cross Slide II – Exploded View.....	38
17.2..... Top Slide, Tool Post, Saddle, and Cross Slide II – Parts List	39-40
18.1..... Tailstock Assembly I – Exploded View.....	41
18.2..... Tailstock Assembly I – Parts List	42
19.1..... Tailstock Assembly II – Exploded View.....	43
19.2..... Tailstock Assembly II – Parts List	43
20.1..... Follow Rest – Exploded View	44
20.2..... Follow Rest – Parts List.....	44
21.1..... Steady Rest – Exploded View.....	45
21.2..... Steady Rest – Parts List	46
22.1..... GHB-1340A/1440A Chuck Guard Assembly – Exploded View.....	47
22.2..... GHB-1340A/1440A Chuck Guard Assembly – Parts List	47
23.0..... Additional Parts (Not Shown)	48
24.0..... Additional Electrical Components (Not Shown).....	48
25.1..... Electrical Schematic – GHB-1340A/1440A	49
25.2..... Electrical Schematic Parts List – GHB-1340A/1440A.....	49
26.1..... Electrical Schematic – BDB-1340A	50
26.2..... Electrical Schematic Parts List – BDB-1340A.....	50
27.0..... GHB-1340A/1440A Wiring Photo	51
28.0..... BDB-1340A Wiring Photo	51

Replacement parts

To order parts or reach our service department , call 1-800-274-6848 Monday through Friday (see our website for business hours , www.jettools.com) Having the Model Number and Serial Number of your machine available when you call will allow us to serve you quickly and accurately

1.0 BDB-1340A Headstock Assembly I – Exploded View



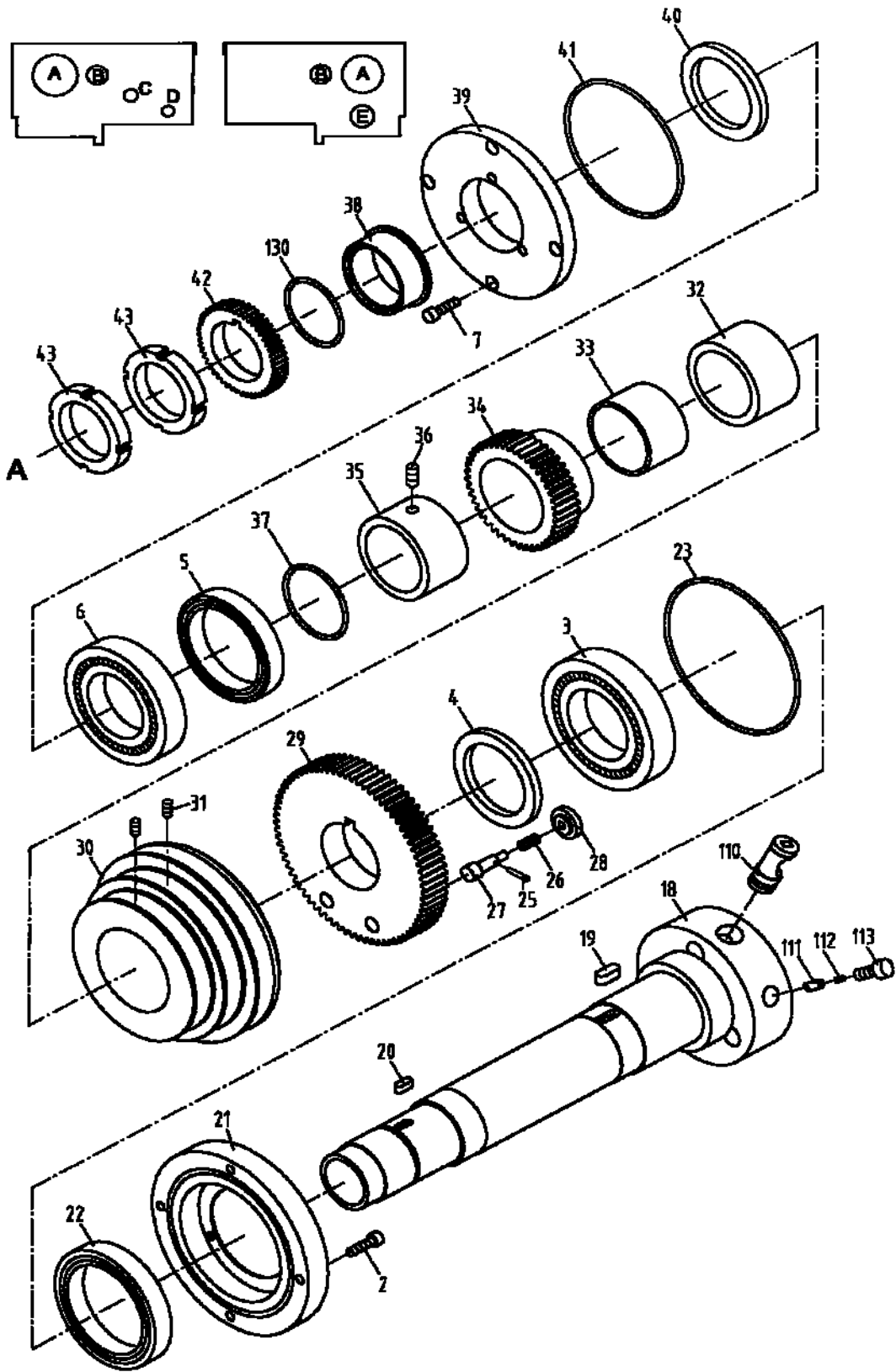
1.1 BDB-1340A Headstock Assembly I – Parts List

Index No	Part No	Description	Size	Qty
1	04101BG	Headstock Casting		1
10	TS-1482021	Hex Socket Cap Screw	M6x12	4
11	04501A	Inlet Plug		2
13	BDB1340-H13	Oil Sight Glass		2
14	TS-1503031	Hex Socket Cap Screw	M6x12	3
15	TS-1490061	Hex Cap Bolt	M8x35	2
15-1	TS-1540061	Nut	M8	2
17	BDB1340-H17	Screw	1/8"	2
55	04733B	Knob		1
83	04310G	Cover		1
84A	04723A	Cover Hinge		1
84B	04723B	End Cover Hinge		1
85	04705	Strut		1
86	BDB1340A-02118AG	Arm		1
87	TS-1523031	Set Screw	M6x10	2
88	04725B	Plunger		1
89	BDB1340-H89	Cap Nut		1
90	04734B	Spring Sleeve		1
91	BDB1340-H91	Spring	1x9x50	1
92	04721	Idle Shaft		2
93	BDB1340-H93	Oil Nipple		2
94	04719	Gear	1.5m26T	1
95	04303	Bushing		2
96	04720	Gear	1.5m21T	1
97	BDB1340A-02717A	Output Shaft		1
98	BB-6202ZR	Ball Bearing	6202ZR	2
99	BDB1340A-H99	Key	5x5x50	1
100	TS-1540081	Hex Nut	M12	1
101	BDB1340-H93	Oil Nipple		1
102	04716	Spacer		1
103	04119A	Flange		1
104	BDB1340A-02718A	Gear	1.5m50T	1
105	GH1340A-05735	Gear	1.25m32T	1
	GHB1340A-CG2	Gear	1.25m48T	1
	GHB1340A-CG1	Gear	1.25m44T	1
106	BDB1340-H106	Washer		1
107	04714	Bolt		1
120	TS-1482021	Cap Screw	M6x12	4
121	BDB1340A-02722A	Stud		1
122	BDB1340A-02305AG	End Cover		1
123	BDB1340-H123	Knob		1
124	BDB1340-H124	Knob		2
125	04724G	Cover		1
127	BDB1340-H127	Rubber Mat (serial #1509B1613A and lower)		1
128	TS-1503081	Hex Socket Cap Screw	M6x35	2
129	BDB1340-H129	C-Clip	8	1
133	BDB1340A-H133	C-clip for Shaft	19	1
134	BDB1340A-02124	Spacer		1
135	BDB1340A-H135	Plug	5	1
136	BDB1340A-H136	Sign Plate (serial #1509B1613A and lower)		1
	LM000207	Feed Chart (serial #1604B1614A and higher)		1
137	BDB1340A-H137	Half Round Cap Screw (serial #1509B1613A and lower)	M3x5	8
	GB2672-M3x6	Screw (serial #1604B1614A and higher)	M3x6	14
138	BDB1340A-H138	Sign Plate (serial #1509B1613A and lower)		1
	LM000209	Headstock Plate (serial #1604B1614A and higher)		1

1.1 BDB-1340A Headstock Assembly I – Parts List

Index No	Part No	Description	Size	Qty
139	BDB1340A-18703	Emergency Stop Housing (serial #1604B1614A and higher)		1
140	BDB-SB1	Emergency Stop (serial #1604B1614A and higher) ZB2-BS54C		1
141	TS-1550041	Plain Washer (serial #1604B1614A and higher) 6mm		6
142	GB2672- M6x8	Hex Lobular Soc Pan Hd Screw (serial #1604B1614A and higher) M6x8		4
143	LM000205	Thread Dial Chart (serial #1604B1614A and higher)		4
144	LM000206	Threading Chart (serial #1604B1614A and higher)		1
145	C0632-06306-2	Plate (serial #1604B1614A and higher)		1
146	LM000201	Caution Label – Change Direction (serial #1604B1614A and higher)		1
147	5512797	Screw (serial #1604B1614A and higher) M5x25		2
148	TS-1550031	Plain Washer (serial #1604B1614A and higher) 5mm		2
149	TS-1540031	Hex Nut (serial #1604B1614A and higher) M5		2
150	LM000202	Hi/Lo Label (serial #1604B1614A and higher)		1
151	JHM610-151	Rivet (serial #1604B1614A and higher) M2x3		3

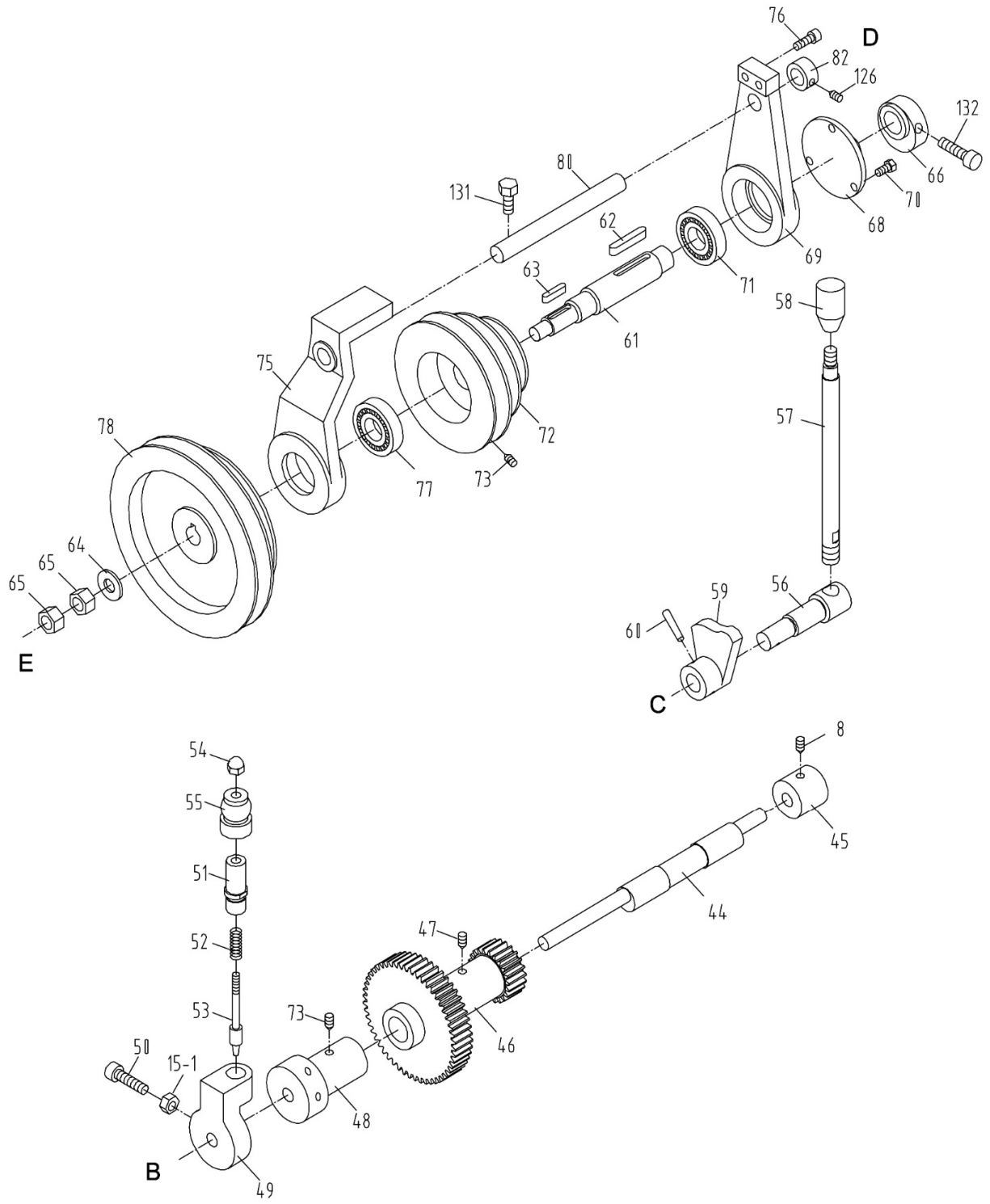
2.1 BDB-1340A Headstock Assembly II – Exploded View



2.2 BDB-1340A Headstock Assembly II – Parts List

Index No	Part No	Description	Size	Qty
2	TS-1503051	Hex Socket Cap Screw	M6x22	4
3	BB-30212	Taper Roller Bearing	60x110x22	1
4	BDB1340-H4	Oil Seal	PG60x80x12	1
5	OS-709012	Oil Seal	SG70x90x12	1
6	BB-30211	Taper Roller Bearing	55x100x21	1
7	TS-1503041	Hex Socket Cap Screw	M6x16	4
18	04701	Spindle	D1-4	1
19	BDB1340-H19	Key	8x7x18	1
20	BDB1340-H20	Key	6x6x16	1
21	04102G	Bearing Cover (front)		1
22	BDB1340-H22	Oil Seal	75x100x12	1
23	BDB1340-H23	O-Ring	125x3.1	1
25	BDB1340-H25	Shaft Pin	3x18	1
26	BDB1340-H26	Spring	0.8x11x18	1
27	04703	Pin		1
28	04702	Nut		1
29	04117A	Gear	2m74T	1
30	04116	Pulley		1
31	TS-1523031	Set Screw	M6x10	2
32	04302	Bushing		1
33	04301	Bushing		1
34	04115	Gear	2m44T	1
35	04114	Spacer		1
36	TS-1524021	Set Screw	M8x6	1
37	BDB1340-H37	O-Ring	60x3.1	1
38	04112A	Spacer		1
39	04113	Bearing Cover (rear)		1
40	BDB1340-H40	Oil Seal	W60x80x8	1
41	BDB1340-H41	O-Ring	110x3.1	1
42	04713	Gear	1.5m50T	1
43	04743	Locking Nut		2
110	04729	Cam		3
111	04741	Pin		3
112	BDB1340-H112	Spring	0.6x4x16	3
113	TS-1504041	Hex Socket Cap Screw	M8x18	3
130	BDB1340-H130	O-Ring	55x3.1	1

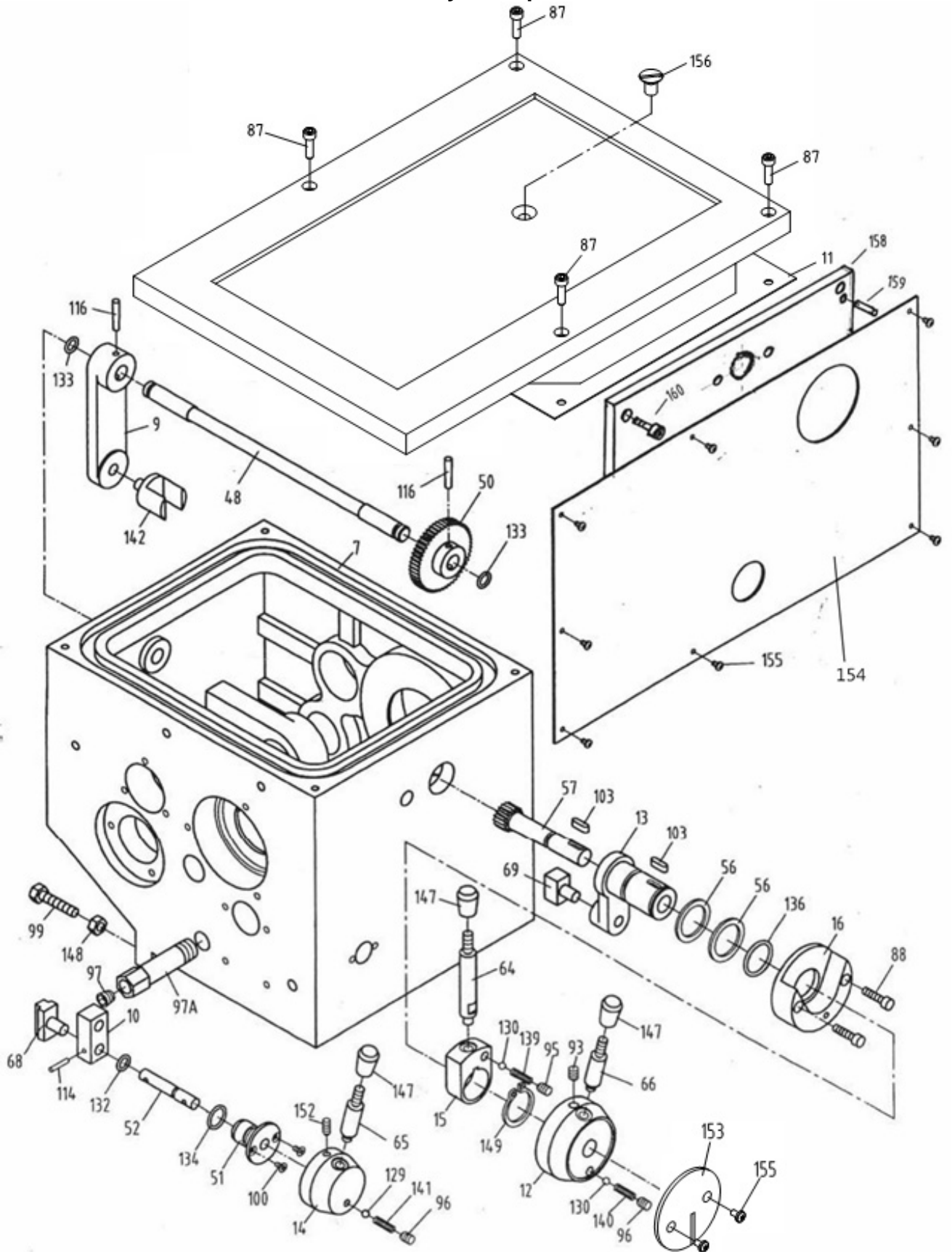
3.1 BDB-1340A Headstock Assembly III – Exploded View



3.2 BDB-1340A Headstock Assembly III – Parts List

Index No	Part No	Description	Size	Qty
8	TS-1524021	Set Screw	M8x10	1
15-1	TS-1540061	Nut	M8	1
44	.04704	Eccentric Shaft		1
45	.04103A	Bushing		1
46	.04109A	Gear	2m52T,2m22T	1
47	TS-1523011	Set Screw	M6x6	1
48	.04111A	Bushing		1
49	.04110G	Moving Arm		1
50	TS-1504071	Hex Socket Cap Screw	M8x35	1
51	.04726	Sleeve		1
52	BDB1340-H52	Spring	1x9x40	1
53	.04725	Shaft		1
54	BDB1340-H54	Cap Nut	M6	1
55	.04733B	Knob		1
56	.04706	Shaft		1
57	.04707	Lever		1
58	BDB1340-H58	Knob		1
59	.04104A	Cam		1
60	BDB1340-H60	Spring Pin	5x30	1
61	.04712	Input Shaft		1
62	BDB1340-H62	Key	6x6x40	1
63	BDB1340-H63	Key	5x5x25	1
64	TS-1550081	Washer	M12	1
65	TS-1540081	Hex Nut	M12	2
66	.04708	Cam		1
68	.04709	Strut		1
69	.04105A	Swing Arm		1
70	TS-1482021	Hex Socket Cap Screw	M6x12	3
71	BB-6204ZR	Ball Bearing	6204ZR	1
72	.04107	Pulley		1
73	TS-1524021	Set Screw	M8x8	2
75	.04106A	Swing Arm		1
76	TS-1503051	Hex Socket Cap Screw	M6x20	2
77	BB-6204	Ball Bearing	6204	1
78	BDB1340A-04108	Pulley		1
80	.04711	Shaft		1
82	.04710	Spacer		1
126	TS-1523011	Set Screw	M6x6	1
131	TS-1490041	Hex Cap Bolt	M8x25	1
132	TS-1504041	Hex Socket Cap Screw	M8x20	1
	BDB1340A-02311	Nameplate (not shown)		1
	BDB1340A-02304A	Nameplate (not shown)		1
	.04308	Nameplate (not shown)		1
	VB-B32	V-Belt (not shown)	B32	1
	VB-B33	V-Belt (not shown)	B33	1

4.1 GHB-1340A/1440A Headstock Assembly I – Exploded View



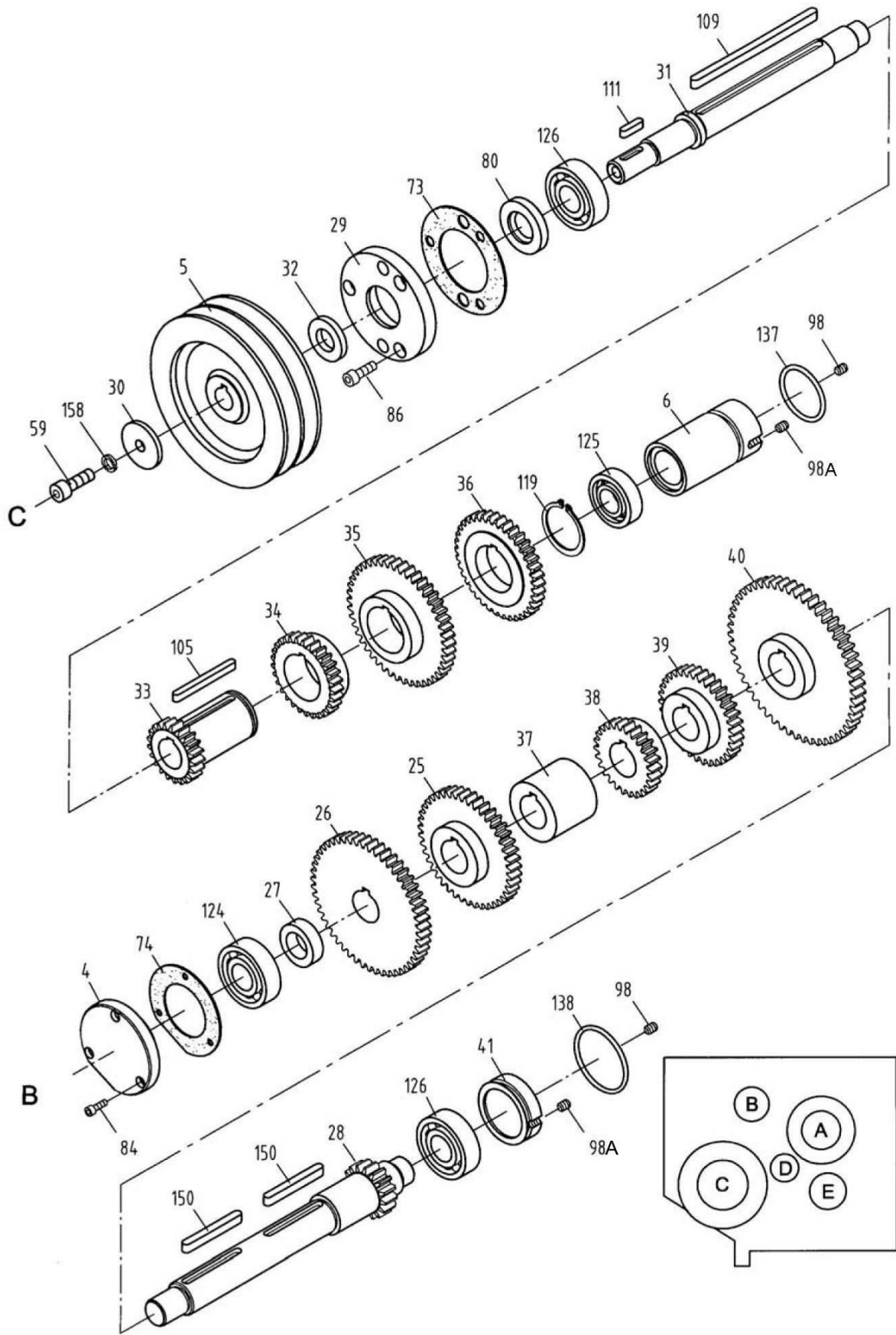
4.2 GHB-1340A/1440A Headstock Assembly I – Parts List

Index No	Part No	Description	Size	Qty
7	GHB1340A-02101G	Gear Box Main Casting (GHB-1340A only)		1
	GHB1440A-02101G	Gear Box Main Casting (GHB-1440A only)		1
9	04109	Shift Lever		1
10	04111	Shaft Housing		1
11	GHB1340A-02102G	Cover (GHB-1340A only)		1
	GHB1440A-02102G	Cover (GHB-1440A only)		1
12	GHB1340A-04117G	Handle Hub		1
13	04121	Shaft Collar (GHB-1340A only)		1
	GHB1440A-02112	Shaft Collar (GHB-1440A only)		1
14	GHB1340A-04120G	Handle Hub		1
15	GHB1340A-04119G	Handle Block		1
16	GHB1340A-04118G	Hub		1
48	04232	Shaft		1
50	04234	Gear	1.25m51T	1
51	04235	Collar (GHB-1340A only)		1
	GHB1440A-02709	Collar (GHB-1440A only)		1
52	04250	Shaft (GHB-1340A only)		1
	GHB1440A-02708	Shaft (GHB-1440A only)		1
56	04240	Washer		2
57	04241	Gear Shaft (GHB-1340A only)	1.25m17T	1
	GHB1440A-02716	Gear Shaft (GHB-1440A only)	1.25m17T	1
64	GHB1340A-04248G	Handle		1
65	GHB1340A-04248-1G	Handle		1
66	GHB1340A-04249G	Handle		1
68	04402	Shift Fork		1
69	04403	Shift Fork		1
78	GHB1340-4506	Gasket		1
87	TS-1503051	Hex Socket Cap Screw	M6x20	4
88	TS-1503061	Hex Socket Cap Screw	M6x25	2
93	TS-1523061	Set Screw	M6x18	1
95	TS-1524011	Set Screw	M8x8	1
96	TS-1523041	Set Screw	M6x12	2
97	GHB1340A-97	Plug	Z1/4	1
97A	GHB1340A-97A	Oil Drain Plug		1
99	TS-1490081	Hex Cap Screw	M8x45	2
100	GHB1340-100	Screw	M4x8	4
103	GHB1340-103	Key	5x15	2
114	GHB1340-114	Pin	4x18	1
116	GHB1340-116	Pin	5x30	2
129	SB-5MM	Steel Ball	5mm	1
130	SB-6MM	Steel Ball	6mm	2
132	GHB1340-132	O-Ring	10x1.9	1
133	GHB1340-133	O-Ring	14x2.4	2
134	GHB1340-134	O-Ring	20x2.4	2
136	GHB1340-136	O-Ring	30x3.1	1
139	GHB1340-139	Spring	1x6x7	1
140	GHB1340-140	Spring	1x6x20	1
141	GHB1340-141	Spring	0.9x4.4x20	1
142	04235A	Shift Fork		1
147	GHB1340-147	Knob	M8x40	3
148	TS-1540061	Nut	M8	2
149	GHB1340-120	C-Clip	30mm	1
152	TS-1523041	Set Screw	M6x12	1
153	GHB1340A-153	Round Sign Plate (serial #16013258A and lower)		1
	GHB1340A-02303-2	Round Sign Plate (serial #16043259A and higher)		1
154	GHB1340A-02301	Headstock Label (GHB-1340A only) (serial #16013258A and lower)		1

4.2 GHB-1340A/1440A Headstock Assembly I – Parts List

Index No	Part No	Description	Size	Qty
	LM000209	Headstock Label (GHB-1340A only) (serial #16043259A and higher)		1
	GHB1440A-02301-15	Headstock Label (GHB-1440A only) (serial #16013258A and lower)		1
	LM000212	Headstock Label (GHB-1440A only) (serial #16043259A and higher)		1
155	GHB1340A-155	Screw (serial #16013258A and lower)	M3x5	8
	GB2672-M3x6	Screw (serial #16043259A and higher)	M3x6	8
156	GHB1340A-156	Screw	M10x18	1
157	GHB1340A-02502	Rubber Mat (GHB-1340A only) (serial #16013258A and lower)		1
	GHB1440A-02503	Rubber Mat (GHB-1440A only) (serial #16013258A and lower)		1
158	GHB1440A-02102G	Headstock Side Board (GHB-1440A only)		1
159	ZX-S13	Taper Pin (GHB-1440A only)	5x20mm	2
160	TS-1503041	Hex Socket Cap Screw (GHB-1440A only)	M6x16	4
	GHB1340A-160	Oil Sight Glass (not shown)(GHB-1340A serial #10052363A and lower)		1
	GHB1340A-160	Oil Sight Glass (not shown)(GHB-1440A serial #08040097C and lower)		1
	GHB1340A-160M	Oil Sight Glass (not shown) (GHB-1340A serial #10102364A and higher)	M27x1 5	1
	GHB1340A-160M	Oil Sight Glass (not shown) (GHB-1440A serial #10110098C and higher)	M27x1 5	1

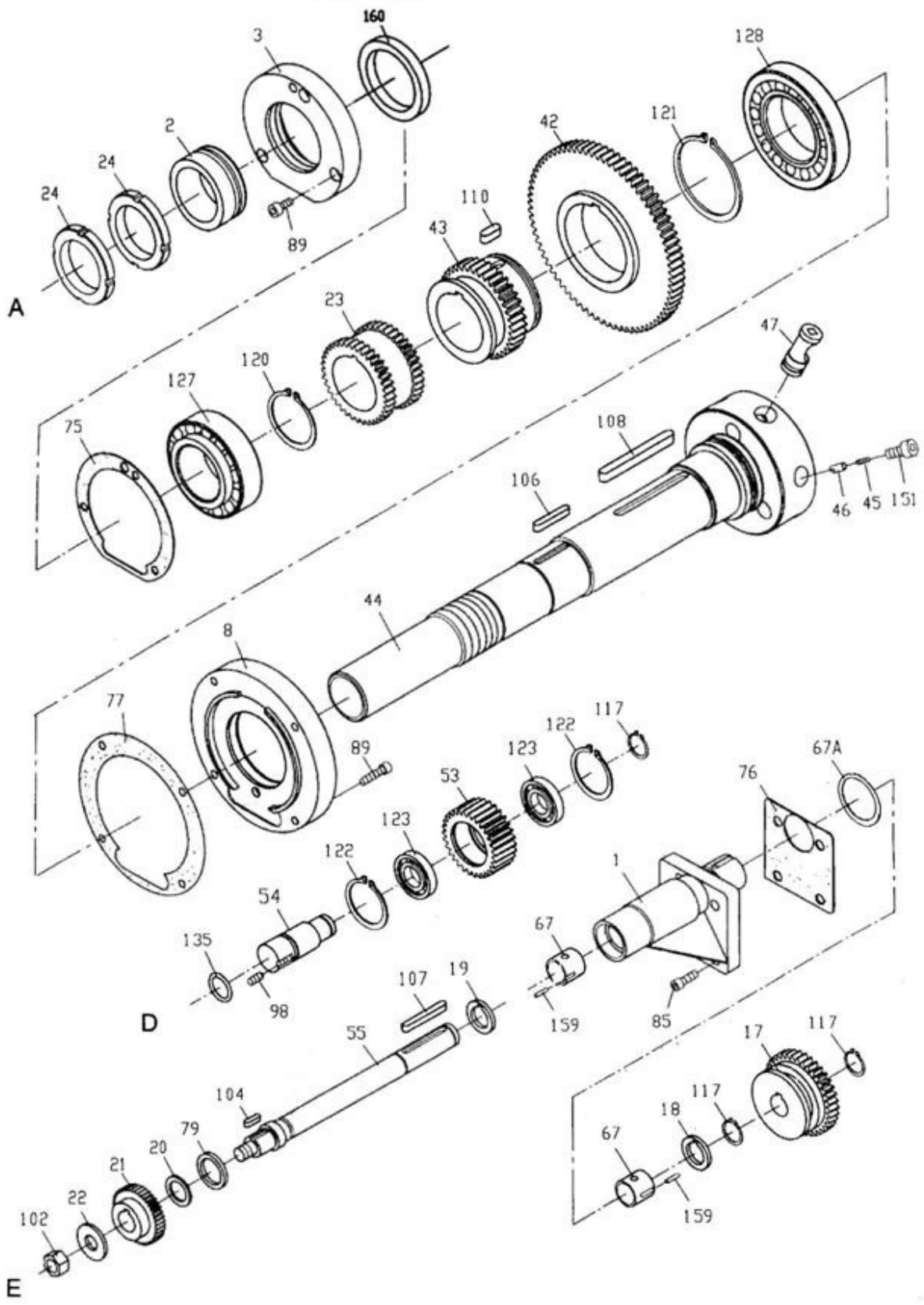
5.1 GHB-1340A/1440A Headstock Assembly II – Exploded View



5.2 GHB-1340A/1440A Headstock Assembly II – Parts List

Index No	Part No	Description	Size	Qty
4	.04104Z	Rear Cover		1
5	.04105	Pulley		1
6	GHB1340-4106	Plug		1
25	.04209	Gear	2m43T	1
26	GHB1340-4210	Gear	2m51T	1
27	.04211	Spacer		1
28	.04212	Gear Shaft	2.25m16T	1
29	.04213A	Cover		1
30	.04214	Washer		1
31	.04215	Shaft		1
32	.04216	Washer		1
33	.04217	Collar w/Gear	2m21T	1
34	.04218	Gear	2m29T	1
35	.04219	Gear	2m46T	1
36	.04220	Gear	2m38T	1
37	.04221	Collar		1
38	.04222	Gear	2m26T	1
39	.04223	Gear	2m34T	1
40	.04224	Gear	2.25m53T	1
41	.04225	Plug		1
59	TS-1504041	Socket Head Cap Screw	M8x20	1
73	GHB1340-4501	Gasket		1
74	GHB1340-4502	Gasket		1
80	GHB1340-4508	Oil Seal	20x40	1
84	TS-1501041	Hex Socket Cap Screw	M4x12	3
86	TS-1503031	Hex Socket Cap Screw	M6x12	3
98	TS-1523031	Set Screw	M6x8	2
98A	GH-1440K02752	Screw		2
105	GHB1340-105	Key	5x50	1
109	GHB1340-109	Key	6x120	1
111	GHB1340-111	Key	5x20	1
119	GHB1340-119N	C-Clip	35	1
124	GHB1340-124	Bearing	20x47x14	1
125	GHB1340-125	Bearing	17x40x12	1
126	GHB1340-126	Bearing	20x47x14	2
137	GHB1340-137	O-Ring	40x3.1	1
138	GHB1340-138	O-Ring	47x3.1	1
150	GHB1340A-150	Key	6x55	2
158	TS-1551061	Lock Washer	M8	1
	VB-A31	V-Belt (not shown) (GHB-1340A only)	A31	2
	VB-A31	V-Belt (not shown) (GHB-1440A only)	A813	2

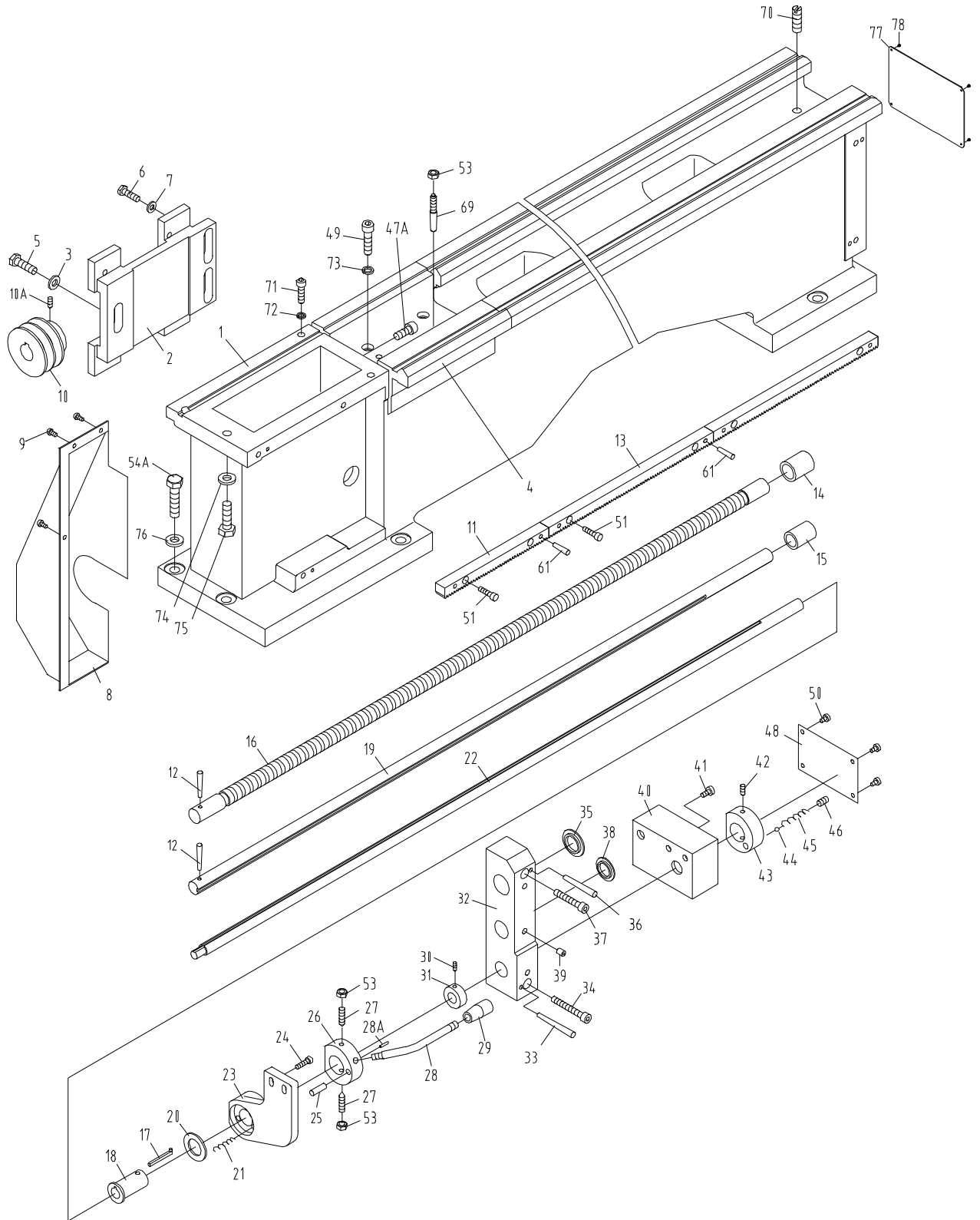
6.1 GHB-1340A/1440A Headstock Assembly III – Exploded View



6.2 GHB-1340A/1440A Headstock Assembly III – Parts List

Index No	Part No	Description	Size	Qty
1	GHB1340A-02103N	Collar		1
2	.04102	Collar (serial #07061677A and lower)		1
	C0632A-02117A	Collar (serial #07061678A and higher)		1
3	GHB1340-4103N	Rear Cover (serial #07061677A and lower)		1
	C0632A-02115A	Rear Cover (serial #07061678A and higher)		1
8	.04108ZG	Front Cover		1
17	.04201	Gear	2m37T	1
18	.04202Z	Spacer		1
19	.04203Z	Spacer		1
20	.04204	Washer		1
21	.04205A	Gear	1.25m32T	1
22	.04206	Washer	12	1
23	.04207A	Gear	2m37T	1
24	.04208	Lock Nut		2
42	.04226	Gear	2.25m74T	1
43	.04227	Gear	2.25m37T	1
44	GHB1340A-02702	Spindle		1
45	.04229	Spring	0.6x4x16	3
46	.04230	Pin		3
47	.04231	Cam		3
53	.04237	Gear	2m30T	1
54	.04238	Shaft		1
55	GHB1340A-02701N	Shaft		1
67	.04401	Collar		2
67A	GHB1340-67A	O-ring	32x3.1	1
75	GHB1340-4503	Gasket		1
76	GHB1340A-02501N	Gasket		1
77	GHB1340-4505	Gasket		1
79	GB-13871-B-22x35x7	Oil Seal	B-22x35x7	1
85	TS-1502041	Hex Socket Cap Screw	M5x16	4
89	TS-1503061	Hex Socket Cap Screw	M6x25	7
98	TS-1523031	Set Screw	M6x8	1
102	TS-1540081	Hex Nut	M12	1
104	GHB1340-104	Key	5x18	1
106	GHB1340-106	Key	6x40	1
107	GHB1340-107	Key	6x50	1
108	GHB1340-108	Key	8x85	1
110	GHB1340-110	Key	8x18	1
117	GHB1340-117N	C-Clip	20	2
120	GHB1340-120	C-Clip	50	1
121	GHB1340-121	C-Clip	72	1
122	GHB1340-122	C-Clip	42	2
123	GHB1340-123	Bearing	20x42x8	2
127	GHB1340-127	Bearing	50x90x20	1
128	GHB1340-128	Bearing	60x110x22	1
135	GHB1340-135	O-Ring	25x2.4	1
151	GHB1340A-151	Hex Socket Cap Screw	M8x18	3
159	GHB1340A-159	Pin	2x16	2
160	GB13871-B-60x80x8	Oil Seal (serial #07061678A and higher)	B-60x80x8	1

7.1 Bed Assembly I – Exploded View



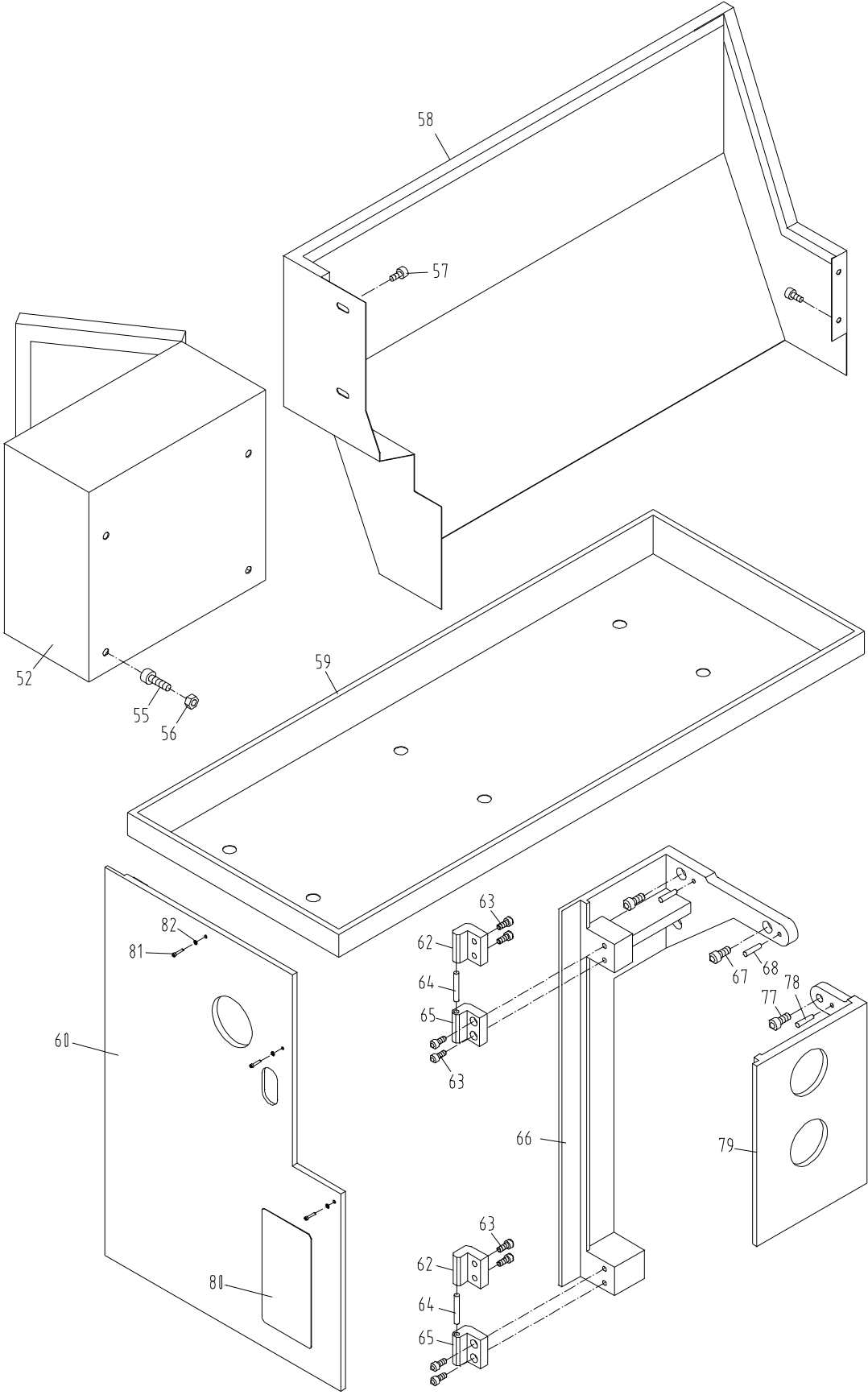
7.2 Bed Assembly I – Parts List

Index No	Part No	Description	Size	Qty
1	GHB1340A-01101G	Bed		1
2	GHB1340-MPG	Motor Base (For GHB)		1
	BDB1340-MPG	Motor Base (For BDB)		1
3	TS-1550071	Washer	M10	3
4	GHB1340-1102G	Gap Bridge		1
5	TS-1491051	Hex Cap Bolt	M10x35	3
6	TS-1490041	Hex Cap Bolt	M8x25	4
7	TS-1550061	Washer		4
8	GHB1340A-02703G	End Cover (GHB-1340A only)		1
	GHB1440A-02703G	End Cover (GHB-1440A only)		1
9	GHB1340A-9B	Screw	M5x8	3
10	GHB1340-MP	Pulley (For GHB)	28mm ID	1
	BDB1340-MP	Pulley (For BDB)	19mm ID	1
10A	TS-1523041	Set Screw	M6x12	1
11	01203	Rack		1
12	GHB1340A-12B	Pin	5x35mm	2
13	01204-2	Rack		2
14	32A1105	Collar		1
15	32A1106	Collar		1
16	GHB1340A-1701	Lead Screw	GHB-1340A	1
	BDB1340A-1701	Lead Screw	BDB-1340A	1
17	321728	Key		1
18	321706	Collar		1
19	GHB1340A-1702	Feed Rod	GHB-1340A	1
	BDB1340A-1702	Feed Rod	BDB-1340A	1
20	01707	Brake Ring		1
21	GHB1340A-21B	Spring	1x7.5x25	3
22	GHB1340A-1703	Shaft	GHB-1340A	1
	BDB1340A-1703	Shaft	BDB-1340A	1
23	32A1103AG	Bracket		1
24	TS-1503061	Hex Socket Cap Screw	M6x22	4
25	GHB1340A-25B	Pin	6x25mm	1
26	32A1710	Handle Hub		1
27	TS-1524061	Screw	M8x28	2
28	01710A	Handle		1
28A	GHB1340A-77	Pin	3x10	1
29	GHB1340A-29B	Knob	BM10x50	1
30	TS-1522031	Set Screw	M5x8	1
31	01708	Collar		1
32	32A1104AG	Bracket		1
33	GHB1340A-33B	Pin	6x70	1
34	TS-1504131	Hex Socket Cap Screw	M8x65	1
35	32A1502	Plug		1
36	GHB1340A-36B	Pin	6x65	2
37	TS-1504121	Hex Socket Cap Screw	M8x60	2
38	32A1502	Plug		1
39	GHB1340A-39B	Oil Ball	8mm	3
40	32A1301G	Switch Box		1
41	TS-1504041	Hex Socket Cap Screw	M8x20	4
42	TS-1523051	Screw	M6x16	1
43	32A1705	Bushing		1
44	SB-6MM	Steel Ball	6mm	1
45	GHB1340A-45B	Spring	1X5X22	1
46	TS-1524041	Screw	M8x16	1
47A	TS-1525021	Set Screw	M10x12	1
48	32A1504	Switch Box Cover		1
49	TS-1505051	Hex Socket Cap Screw	M10x35	4

7.2 Bed Assembly I – Parts List

Index No	Part No	Description	Size	Qty
50	TS-1502021	Socket Head Cap Screw	M5x10	4
51	TS-1503061	Hex Socket Cap Screw	M6x25	8
53	TS-1540061	Hex Nut	M8	4
54A	TS-1492061	Hex Cap Bolt	M12x60	6
61	GHB1340-61B	Pin	6x30	6
69	GHB1340-69B	Pin	8x60	2
70	GHB1340A-74B	Set Screw	M12x40	1
71	TS-1505051	Hex Socket Cap Screw (For BDB)	M10x35 (BDB)	2
	TS-1505061	Hex Socket Cap Screw (For GHB)	M10x40 (GHB)	2
72	TS-1551071	Lock Washer	10mm	4
73	TS-1551071	Lock Washer	10mm	4
74	TS-1550071	Washer	10mm	2
75	TS-1505071	Hex Socket Cap Screw	M10x45	2
76	TS-2360121	Washer	12mm	6
77	LM000211	Label-Induction Hardened (serial #16043259A and higher)		1
78	JHM610-151	Rivet (serial #16043259A and higher)	2x3mm	4

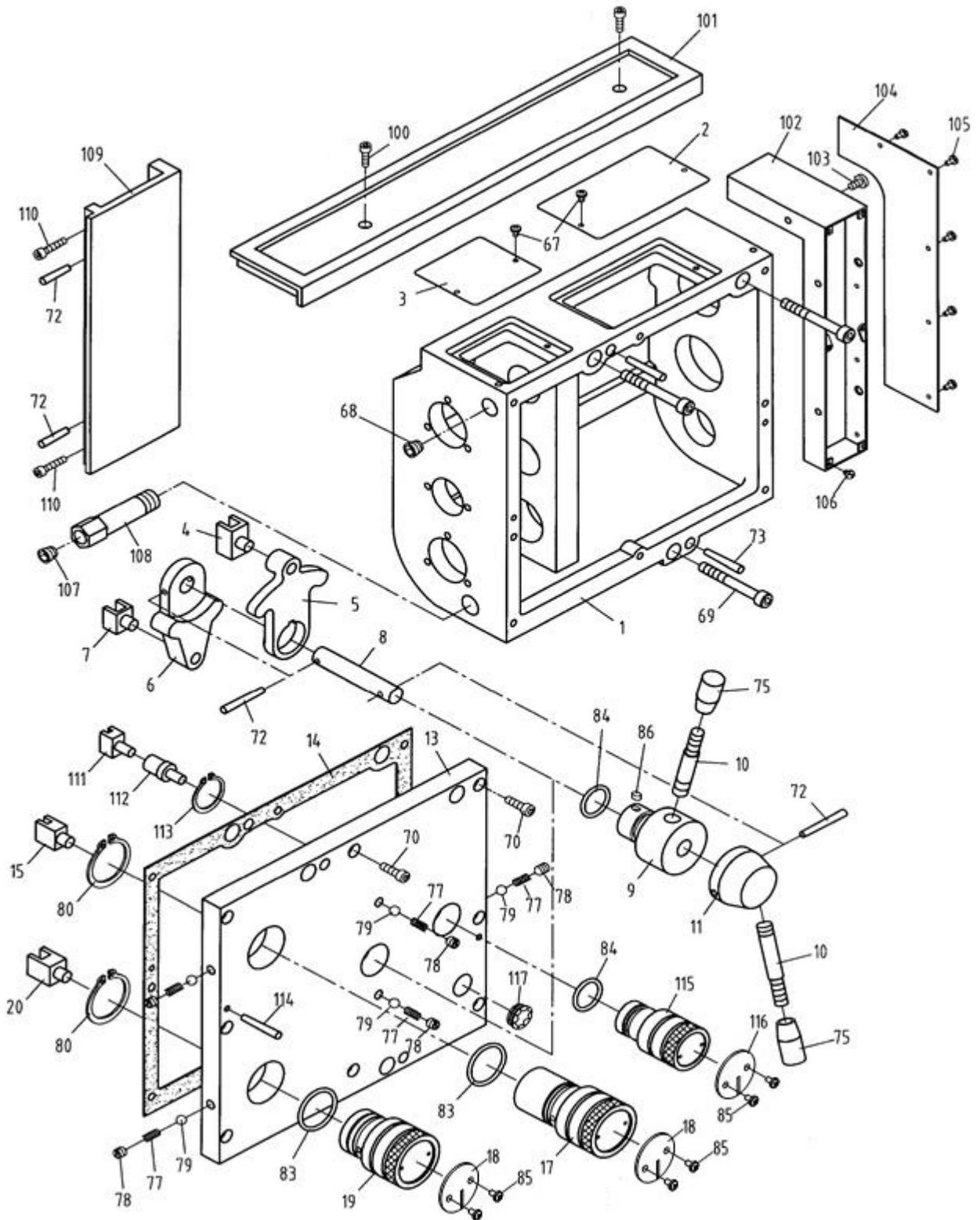
8.1 Bed Assembly II – Exploded View



8.2 Bed Assembly II – Parts List

Index No	Part No	Description	Size	Qty
52	GHB1340A-18701G	Electrical Box (For GHB)	GHB-1340A	1
	BDB1340A-18701G	Electrical Box (For BDB)	BDB-1340A	1
55	GHB1340A-55B	Screw	M6x20	4
56	GHB1340A-56B	Nut	M6	4
57	GHB1340A-57B	Screw	M6x10	4
58	GHB1340A-12701	Splash Guard (serial #11072601A and lower)	GHB-1340A	1
	GHB1340A-12701A	Splash Guard (serial #11082602A and lower)	GHB-1340A	1
	GHB1340A-12701AG	Splash Guard	GHB-1340A	1
	GHB1440A-12701G	Splash Guard	GHB-1440A	1
	BDB1340A-12701BG	Splash Guard	BDB-1340A	1
59	GHB1340A-01701	Oil Plate (serial #12042866A and lower)	GHB-1340A	1
	GHB1340A-01701BJ	Oil Plate (serial #12092867A and lower)	GHB-1340A	1
	GHB1340A-01701BJG	Oil Plate	GHB-1340A	1
	C0632-01727G	Oil Plate	GHB-1440A	1
	BDB1340A-01701B	Oil Plate (serial #1204B1274A and lower)	BDB-1340A	1
	BDB1340A-01701BJ	Oil Plate (serial #1205B1275A and lower)	BDB-1340A	1
	BDB1340A-01701BJG	Oil Plate	BDB-1340A	1
60	GHB1340A-02302G	Back Cover	GHB-1340A	1
	C0636A-01501G	Back Cover	GHB-1440A	1
62	ZX-8712	Upper Hinge		2
63	TS-1503041	Hex Socket Cap Screw	M6x14	8
64	GHB1340A-64B	Pin	10m6x40	2
65	ZX-8711	Lower Hinge		2
66	GHB1340A-02105G	Rear Side Plate	GHB-1340A	1
	GHB1440A-02105G	Rear Side Plate	GHB-1440A	1
67	TS-1504031	Hex Socket Cap Screw	M8x14	3
68	GHB1340A-68B	Pin	6x25 mm	2
77	TS-1502041	Hex Socket Cap Screw	M5x14	2
78	GHB1340A-78B	Pin	5x25 mm	2
79	GHB1340A-02104G	Front Side Plate	GHB-1340A	1
	GHB1440A-02104G	Front Side Plate	GHB-1440A	1
80	LM000200	ID/Warning Label (serial #16043259A and higher)		1
81	TS-1502061	Hex Socket Cap Screw	M5x25	3
82	TS-1550031	Plain Washer	5mm	3

9.1 Gear Assembly I – Exploded View



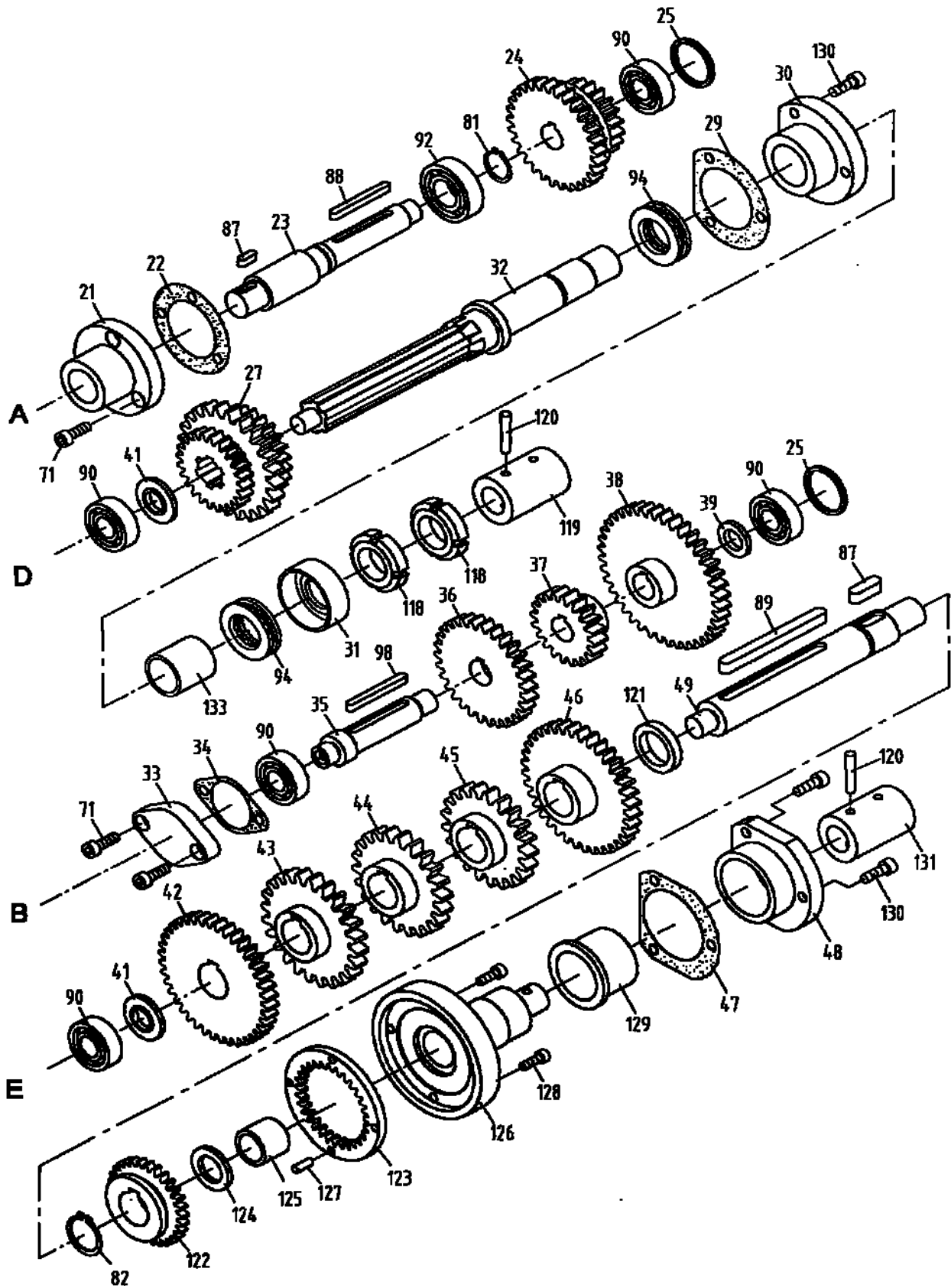
9.2 Gear Assembly I – Parts List

Index No	Part No	Description	Size	Qty
1	05101AG	Casting		1
2	05715G	Right cover		1
3	05720G	Left cover		1
4	32A5308	Slipper		1
5	32A5111A	Lever		1
6	32A5108A	Lever		1
7	32A5307	Slipper		1
8	32A5702	Shaft		1
9	32A5109G	Handle Base		1
10	32A5701G	Lever		2
11	32A5110G	Handle Base		1
13	GHB1340A-05106G	Cover		1
14	05504	Gasket		1
15	32A5305	Slipper		1
17	32A5106G	Lever		1
18	32A5302	Plate (serial #16013258A and lower)		2
	C0632B05302-2	Plate (serial #16043259A and higher)		2
19	32A5103G	Handle		1
20	32A5306	Slipper		1
67	GHB1340A-G67	Screw	M4x6	6
68	GHB1340A-G68	Tapered Tap	ZG3/8"	2
69	GHB1340A-G69	Socket Head Cap Screw	M8x65	3
70	TS-1503061	Socket Head Cap Screw	M6x25	8
72	GHB1340A-G72	Pin	5x30	4
73	GHB1340A-G73	Pin	5x40	2
75	07508	Knob		2
77	GHB1340A-G77	Spring	0.8x5x25	5
78	TS-1524021	Socket Set Screw	M8x10	5
79	SB-6 5MM	Steel Ball	6.5	5
80	GHB1340A-G80	C-clip	40	2
83	GHB1340A-G83	O-Ring	40x3.1	2
84	GHB1340A-G84	O-Ring	30x3.1	2
85	GHB1340A-G85	Screw (serial #16013258A and lower)	M3x6	6
	TS-1531012	Screw (serial #16043259A and higher)	M3x6	6
86	GHB1340A-G86	Key	5x8	1
99	GHB1340A-05503	Rubber Mat (GHB-1340A only) (serial #16013258A and lower)		1
	GHB1440A-05503	Rubber Mat (GHB-1440A only) (serial #16013258A and lower)		1
	BDB1340A-05503	Rubber Mat (BDB-1340A only) (serial #1509B1613A and lower)		1
100	TS-1502041	Socket Set Screw	M5x16	2
101	GHB1340A-05105G	Top Cover (GHB-1340A only)		1
	GHB1440A-05105G	Top Cover (GHB-1440A only)		1
	BDB1340A-05105G	Top Cover (BDB-1340A only)		1
102	05723G	Cover		1
103	GHB1340A-G103	Screw	M4x8	3
104	05722G	Plate		1
105	GHB1340A-G105	Screw	M3x5	5
106	GHB1340A-G106	Screw (serial #16013258A and lower)	M3x6	6
	TS-1531012	Screw (serial #16043259A and higher)	M3x6	6
107	GHB1340A-G107	Tapered Tap	Z1/4"	1
108	05724	Oil Drain Pipe		1
109	05108G	Extending Plate	GHB-1340A/1440A	1
110	TS-1502061	Socket Head Cap Screw	M5x25	2
111	05305	Slipper		1
112	05721	Slipper Shaft		1
113	GHB1340A-G113	C-clip	30	1
114	GHB1340A-G114	Pin	5x30	2
115	05107G	Lever		1

9.2 Gear Assembly I – Parts List

Index No	Part No	Description	Size	Qty
11605304.....	Sign Disc (serial #16013258A and lower)		1
GHB1340A-05304-2..	Sign Disc (serial #16043259A and higher)		1
117GHB1340A-G117	Oil Sight Glass (GHB-1340A, serial #10052363A and lower)	.12mm	1
GHB1340A-G117	Oil Sight Glass (GHB-1440A, serial #08040097C and lower)	.12mm	1
GHB1340A-G117	Oil Sight Glass (BDB-1340A, serial #1008B1083A and lower)	M27x1.5	1
GHB1340A-160M	Oil Sight Glass (GHB-1340A, serial #10102364A and higher)	M27x1.5	1
GHB1340A-160M	Oil Sight Glass (GHB-1440A, serial #10110098C and higher)	M27x1.5	1
GHB1340A-160M	Oil Sight Glass (BDB-1340A, serial #1010B1084A and higher)	M27x1.5	1
GHB1340A-05306	Sign Plate (not shown)	GHB-1340A	1
GHB1440A-05306	Sign Plate (not shown)	GHB-1440A	1
BDB1340A-05301.....	Sign Plate (not shown)	BDB-1340A	1

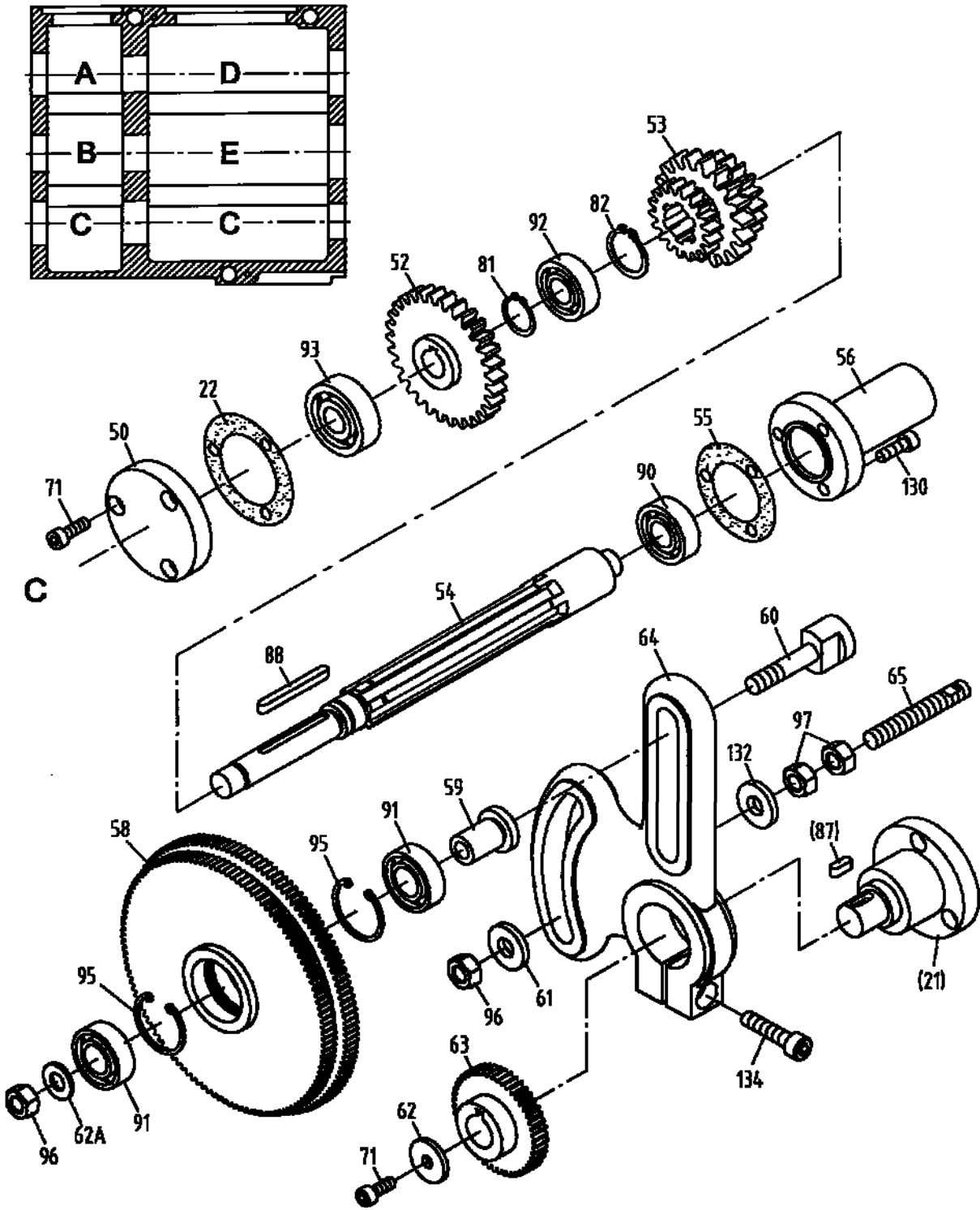
10.1 Gear Assembly II – Exploded View



10.2 Gear Assembly II – Parts List

Index No	Part No	Description	Size	Qty
21	32A5113	Cover		1
22	32A5503	Gasket		1
23	32A5712	Shaft		1
24	32A5710A	Gear	2.5m30T,20T	1
25	32A5719	Washer		2
27	05718	Gear	2.25m,3.25m,2.5m24T	1
29	05502	Gasket		1
30	05104	Bushing		1
31	05714	Washer		1
32	05716	Shaft		1
33	32A5114	End cover		1
34	32A5504	Gasket		1
35	32A5716	Shaft		1
36	32A5714A	Gear	2.5m30T	1
37	32A5715A	Gear	2.5m20T	1
38	32A5713A	Gear	2.5m40T	1
39	32A5708	Washer		2
41	05719	Washer		2
42	05702	Gear	2.25m40T	1
43	05703	Gear	3.25m24T	1
44	05704	Gear	3.25m22T	1
45	05705	Gear	3.25m21T	1
46	05706	Gear	2.5m36T	1
47	05501	Gasket		1
48	05103	Flange		1
49	05717	Shaft		1
71	TS-1504031	Socket Head Cap Screw	M6x16	5
81	GHB1340A-G81	C-clip	20	1
82	GHB1340A-G82	C-clip	25	1
87	GHB1340A-G87	Key	5x14	1
88	GHB1340A-G88	Key	5x50	1
89	GHB1340A-G89	Key	8x110	1
90	BB-6202	Bearing	6202	5
92	BB-6004	Bearing	6004	1
94	BB-51105	Thrust Bearing	51105	2
98	GHB1340A-G98	Key	5x55	1
118	GHB1340A-G118	Round Nut	M24x1.5	2
119	05713	Connecting Sleeve		1
120	GHB1340A-G120	Pin	5x35	4
121	05707	Washer		1
122	05708	Gear	2m30T	1
123	05709	Inner Gear	2m30T	1
124	05711	Washer		1
125	05302	Oil Light Bushing		1
126	05710	XIB Shaft		1
127	GHB1340A-G127	Pin	5n6x14	2
128	GHB1340A-G128	Screw	M5x10	2
129	05301	Sliding Bearing		1
130	TS-1503031	Socket Head Cap Screw	M6x12	6
131	GHB1340A-05712	Connecting Sleeve		1
133	05303	Bearing Housing		1

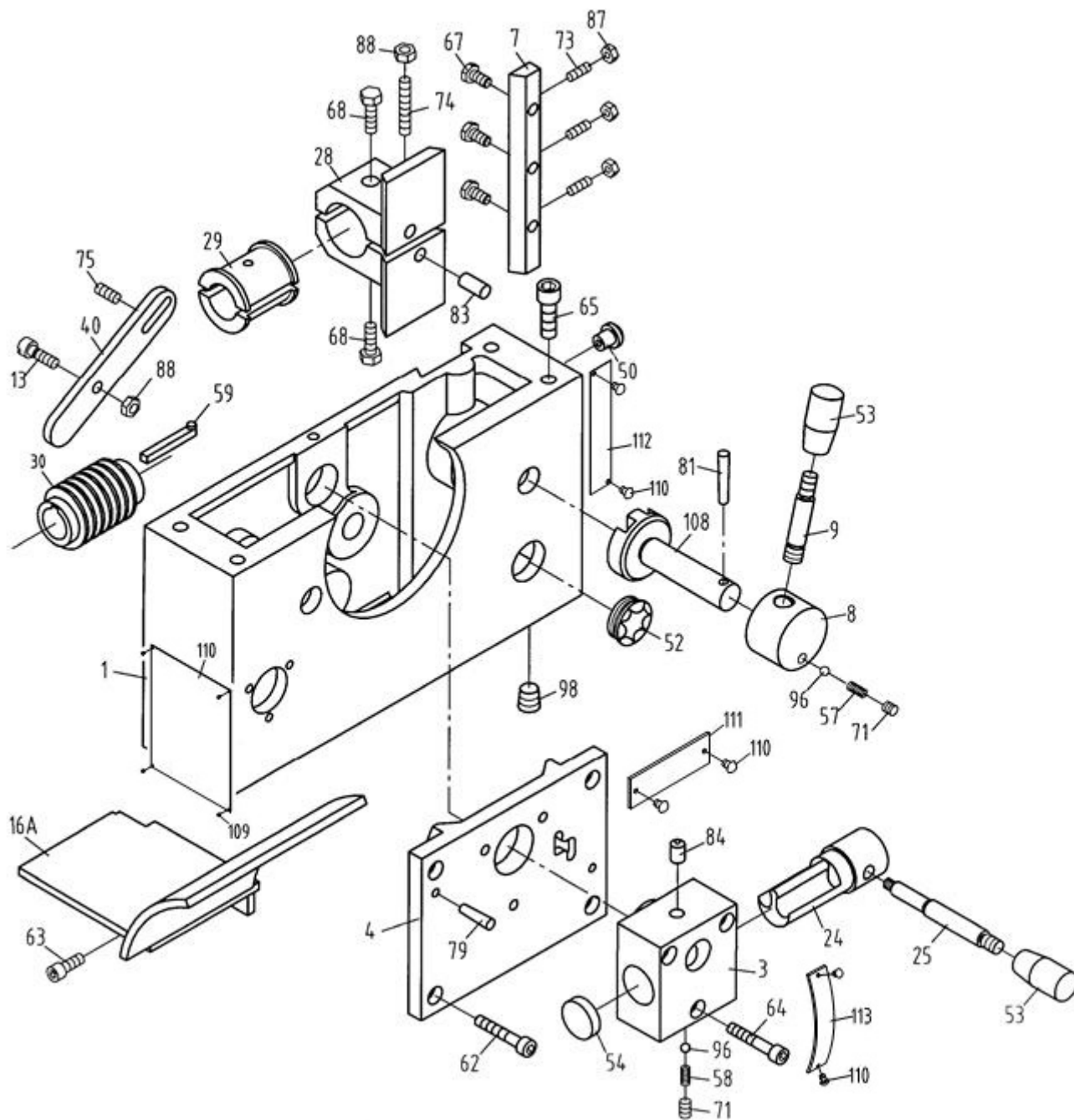
11.1 Gear Assembly III – Exploded View



11.2 Gear Assembly III – Parts List

Index No	Part No	Description	Size	Qty
21	32A5113	Cover		1
22	32A5503	Gasket		1
50	32A5115	End Cover		1
52	32A5718A	Gear	2.5m30T,15T	1
53	32A5721A	Gear	2.25m,3.25m,2.5m18T	1
54	05701	Key shaft		1
55	05505	Gasket		1
56	05102	Cover		1
58	40A5736	Gear	1.25m120T,127T	1
59	40A5738	Collar		1
60	40A5739	Screw		1
61	321719	Washer		1
62	40A5740	Washer		2
62A	40A5740A	Washer		1
63	32A5726A	Gear	1.25m48T	5
64	32A5119	Gear Frame		1
65	321718	Screw rod		1
71	TS-1504031	Socket Head Cap Screw	M6x16	4
81	GHB1340A-G81	C-clip	20	1
82	GHB1340A-G82	C-clip	25	1
87	GHB1340A-G87	Key	5x14	1
88	GHB1340A-G88	Key	5x50	1
90	BB-6202	Bearing	6202	1
91	BB-6003Z	Bearing	6003Z	2
92	BB-6004	Bearing	6004	1
93	BB-6302	Bearing	6302	1
95	GHB1340A-G95	C-clip	35	2
96	TS-1540071	Hex Nut	M10	2
97	TS-1540071	Hex Nut	M10	2
130	TS-1503031	Socket Head Cap Screw	M6x12	3
132	321719	Washer		1
134	GHB1340A-G134	Hex Socket Cap Screw	M8x30	1

12.1 Apron Assembly I – Exploded View



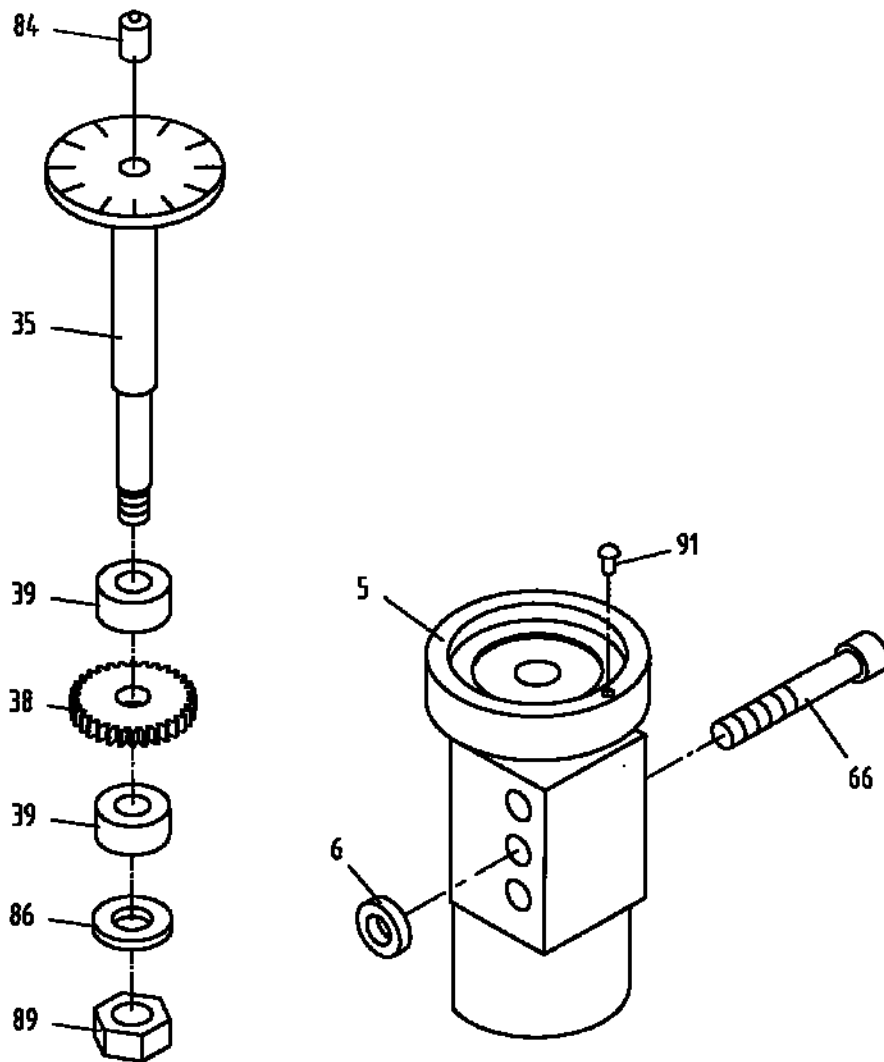
12.2 Apron Assembly I – Parts List

Index No	Part No	Description	Size	Qty
1	GHB1340A-06101AG	Casting		1
3	06103G	Housing		1
4	06104G	Cover		1
7	06107	Gib		1
8	06208	Handle Hub		1
9	06209	Handle		1
13	06213	Gear Pin		1
16A	06415G	Bracket		1
24	06222	Shift Lever		1
25	06223	Shift Handle		1
28	06126	Bracket		1
29	06427	Half Nut		1
30	06228A	Worm	2m1T	1
40	06238	Bar		1
50	06548	Oil Filler Plug		1
52	06551	Oil Sight Glass (GHB-1340A, serial #10052363A and lower)		1
	06551	Oil Sight Glass (GHB-1440A, serial #08040097C and lower)		1
	06551	Oil Sight Glass (BDB-1340A, serial #1008B1083A and lower)		1
	GHB1340A-160M	Oil Sight Glass (GHB-1340A, serial #10102364A and higher)	M27x1 5	1
	GHB1340A-160M	Oil Sight Glass (GHB-1440A, serial #10100098C and higher)	M27x1 5	1
	GHB1340A-160M	Oil Sight Glass (BDB-1340A, serial #1010B1084A and higher)	M27x1 5	1
53	GHB1340-147	Knob	M8x40	2
54	Z06554	Plug "A"		1
57	06257	Spring		1
58	06258	Spring		1
59	06260	Key		1
62	TS-1503031	Hex Socket Cap Screw	M6x12	4
63	TS-1503041	Hex Socket Cap Screw	M6x16	1
64	TS-1503081	Hex Socket Cap Screw	M6x35	3
65	TS-1504061	Hex Socket Cap Screw	M8x30	4
67	GHB1340-A67	Screw	M5x16	3
68	TS-1523041	Set Screw	M6x12	2
71	TS-1523011	Set Screw	M6x6	3
73	TS-1522051	Set Screw	M5x16	3
74	GHB1340-A74	Set Screw	M6x35	1
75	TS-1523031	Set Screw	M6x10	1
79	GHB1340-A79	Pin	5x20	2
81	GHB1340-A81	Pin	5x32	1
83	GHB1340-A83	Pin	8n6x12	2
84	GHB1340-A84	Oiler	8	2
87	TS-1540031	Hex Nut	M5	3
88	TS-1540041	Hex Nut	M6	2
96	SB-5MM	Steel Ball	5	2
98	GHB1340A-A98	Plug	Z1/4"	1
108	06261	Half Nut Controlling Shaft		1
109	GHB1340A-6305A-1	Plate (serial #16043259A and higher)		1
110	JHM610-151	Rivet (serial #16043259A and higher)	2x3mm	10
111	LM000204	Feed Selector Label (serial #16043259A and higher)		1
112	LM000203	Thread Engagement Label (serial #16043259A and higher)		1
113	C0632-01308-1	Plate (serial #16043259A and higher)		1

13.2 Apron Assembly II – Parts List

Index No	Part No	Description	Size	Qty
2	06102G	Handwheel		1
5A	06105A	Hub		1
10	06510	Index Ring		1
11	Z06111	Cover		1
12	06212	Shaft	1.5m14T	1
14	06214	Gear Shaft	1.5m13T	1
15	06215	Gear	1.5m60T	1
16	06216	Shaft		1
17	06417	Collar		1
18	06218	Gear	1.5m30T	1
19	06219	Gear	1.5m40T	1
22	06220	Gear	1.5m46T	1
23	06421	Shift Fork		1
26	GHB1340A-06704	Gear	1.5m40T	1
31	06429A	Gear	2m22T	1
32	GHB1340A-06714	Shaft		1
33	06231	Gear	1.5m18T	1
34	06232	Shaft		1
41	06239G	Screw		1
42	TS-1550041	Washer		1
43	Z06241	Washer		1
44	06242	Washer		1
56	06556G	Handle		1
60	TS-1502031	Hex Socket Cap Screw	M5x12	2
61	TS-1523011	Set Screw	M6x6	1
64	TS-1503061	Hex Socket Cap Screw	M6x25	3
69	TS-1503021	Screw	M6x10	2
70	TS-1522011	Set Screw	M5x6	2
72	TS-1523031	Set Screw	M6x10	1
77	GHB1340-A77	Screw	M6x12	1
78	GHB1340-A78	Pin	3x25	1
80	GHB1340-A80	Pin	5x30	2
82	GHB1340-A82	Pin	5x25	3
84	GHB1340-A84	Oiler	8	1
92	GHB1340-A92	O-Ring	20x24	2
95	GHB1340-A95	Key	A5x18	1
99	GHB1340A-06732	Shaft		1
100	GHB1340A-06114	Washer		2
101	GHB1340A-06734	Gear	1.5m20T36T	1
102	GHB1340A-06115	Collar		1
103	GHB1340A-A103	Shaft Plug		1
104	GHB1340A-06731	Gear	1.5m24T	1
105	GHB1340A-06113	Collar		1
106	GHB1340A-06111	Washer		1
107	GHB1340A-06112	Shaft Plug		1
109	GHB1340A-A109	Key	5x12	1

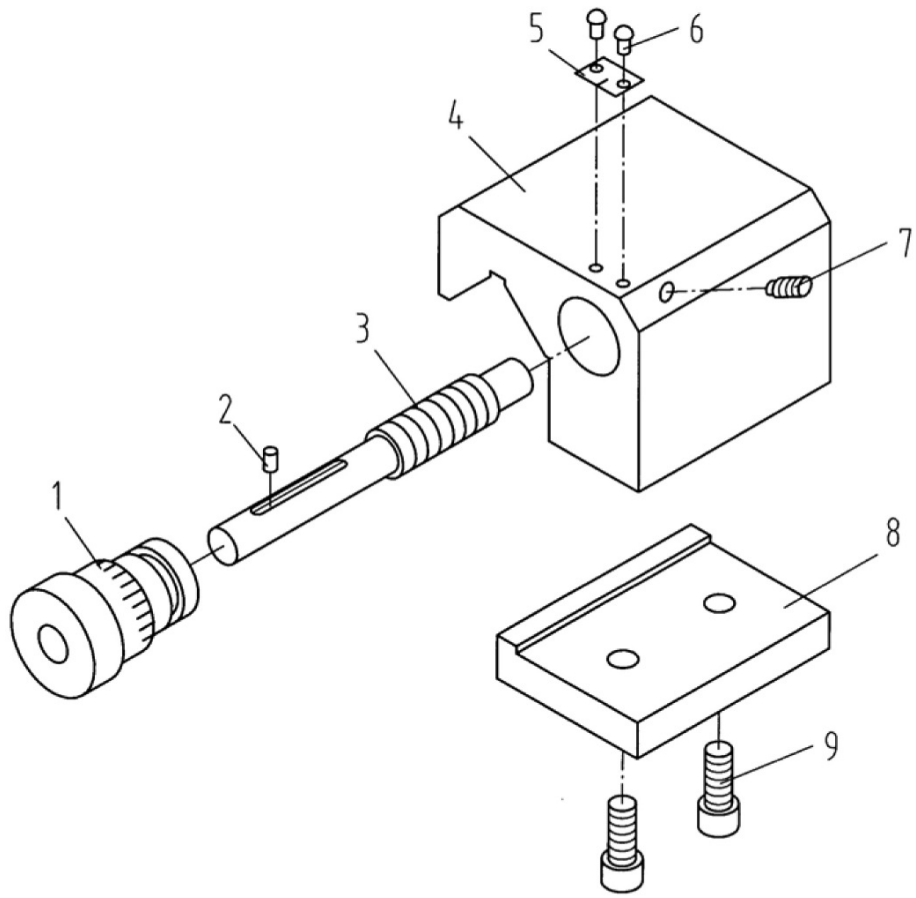
14.1 Apron Assembly III – Exploded View



14.2 Apron Assembly III – Parts List

Index No	Part No	Description	Size	Qty
5	Z06105G	Threading Dial Body		1
6	06206	Washer		1
35	06233	Threading Dial Shaft		1
38	06236	Gear	1m32T	1
39	06237	Spacer		2
66	TS-1504101	Hex Socket Cap Screw	M8x50	1
84	GHB1340-A84	Oiler	8	1
86	GHB1340-A86	Lock Washer	M8	1
89	TS-1540061	Hex Nut	M8	1
91	GHB1340-A91	Rivet	3x8	1

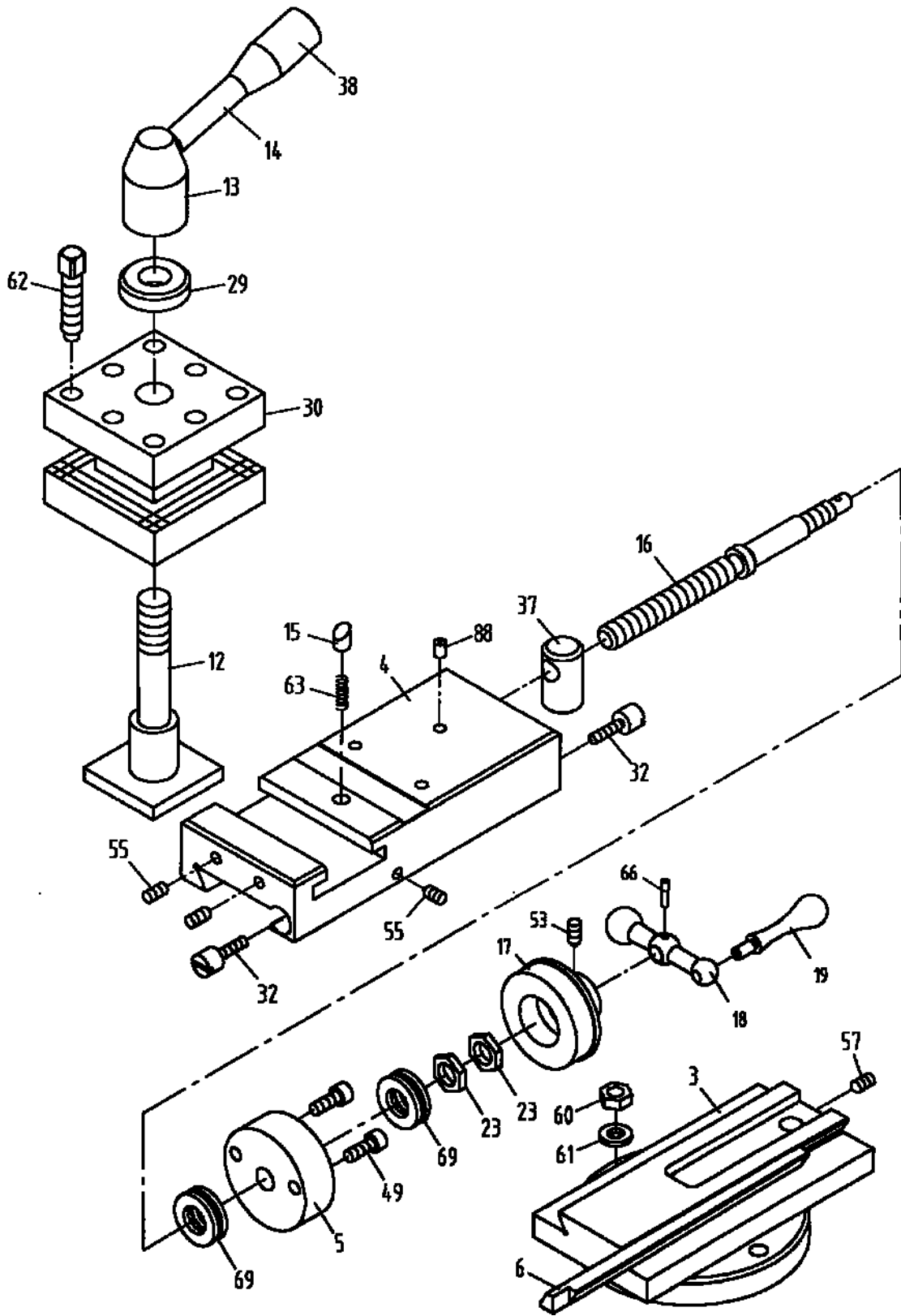
15.1 Micro Carriage Stop Assembly – Exploded View



15.2 Micro Carriage Stop Assembly – Parts List

Index No	Part No	Description	Size	Qty
1	GHB1340A-01707	Dial		1
2	GHB1340A-MS02	Pin	B3x6	1
3	GHB1340A-01716	Axle		1
4	GHB1340A-01107G	Stop		1
5	ZX-03302	Indicator Plate		1
6	ZX-MS06	Pin	3x8	2
7	TS-1523031	Socket Set Screw	M6x10	1
8	GH1340A-01108	Clamping Plate		1
9	TS-1503051	Hex Socket Cap Screw	M6x20	2

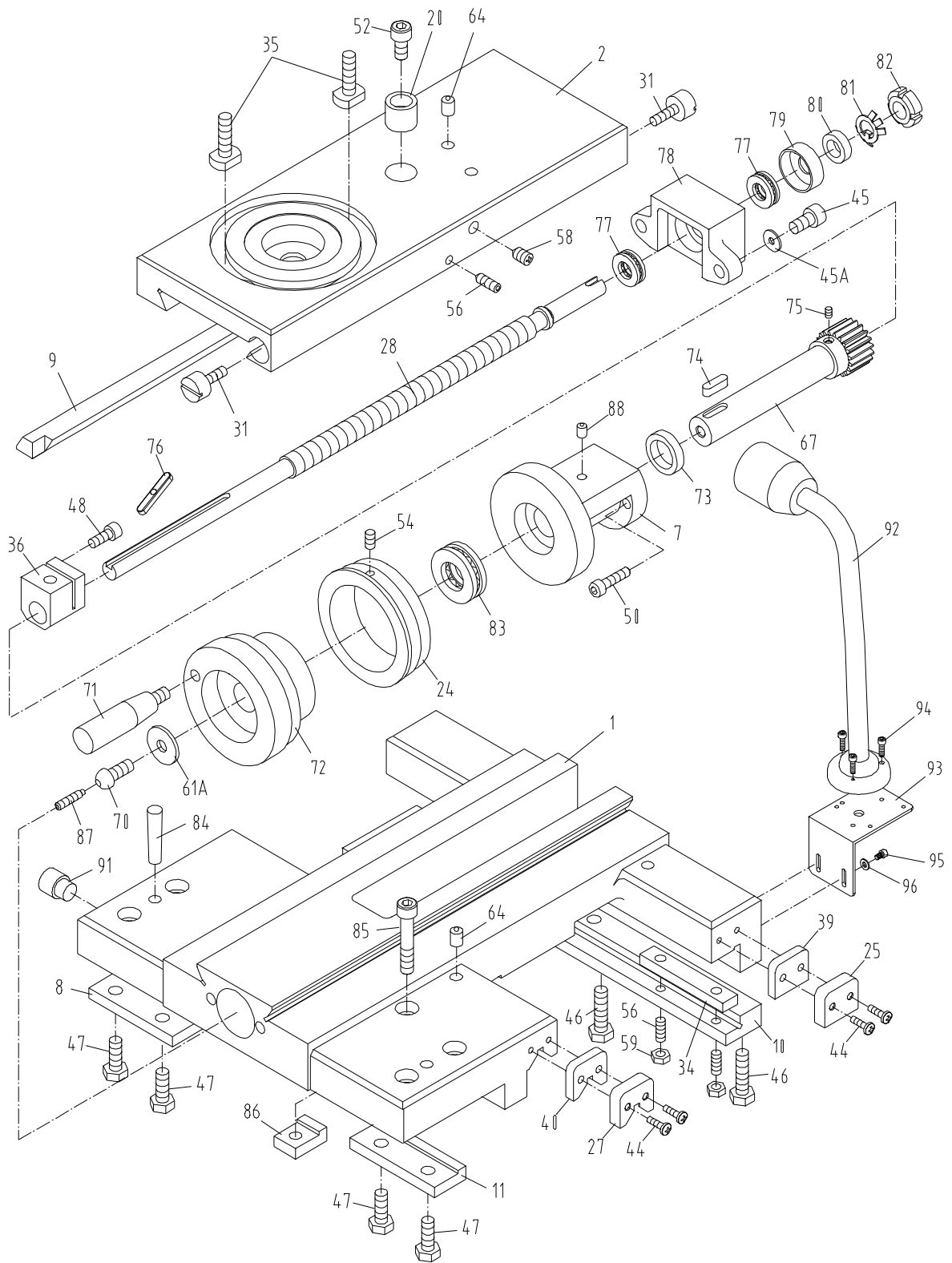
16.1 Top Slide, Tool Post, Saddle, and Cross Slide I – Exploded View



16.2 Top Slide, Tool Post, Saddle, and Cross Slide I – Parts List

Index No	Part No	Description	Size	Qty
3	07103	Swivel Slide (For GHB-1340A/BDB-1340A)		1
	C0636A-04103	Swivel Slide (GHB-1440A Only)		1
4	07104	Top Slide (For GHB-1340A/BDB-1340A)		1
	C0636A-04104	Top Slide (GHB-1440A Only)		1
5	07111	Collar		1
6	07117	Gib		1
12	07205	Screw		1
13	07206	Handle Base		1
14	07207	Handle Shaft		1
15	07209	Stop		1
16	07210	Screw		1
17	07212	Index Ring		1
18	07213G	Ball Handle		1
19	07214G	Handle		1
23	07221	Nut		2
29	07233	Washer		1
30	07234	Post Base		1
32	07237	Gib Adjusting Screw		2
37	07430	Nut		1
38	07508	Knob		1
49	TS-1503051	Hex Socket Cap Screw	M6x20	2
53	TS-1523011	Set Screw	M6x6	1
55	TS-1523031	Set Screw	M6x10	3
57	TS-1524011	Set Screw	M8x8	1
60	TS-1540061	HexNut	M8	2
61	TS-1550061	Washer	8	2
62	GHB1340-62T	Screw	M10x40	8
63	GHB1340-63T	Spring	0.6x4x18	1
66	GHB1340-66T	Pin	3x16	1
69	GHB1340-69T	Ball Bearing		2
88	GHB1340-88	Oil Ball	6	3
	GHB1340-TSA	Top Slide Assembly w/o Tool Post (For GHB-1340A/BDB-1340A)		1
	GHB1440A-TSA	Top Slide Assembly w/o Tool Post (GHB-1440A Only)		1

17.1 Top Slide, Tool Post, Saddle, and Cross Slide II – Exploded View



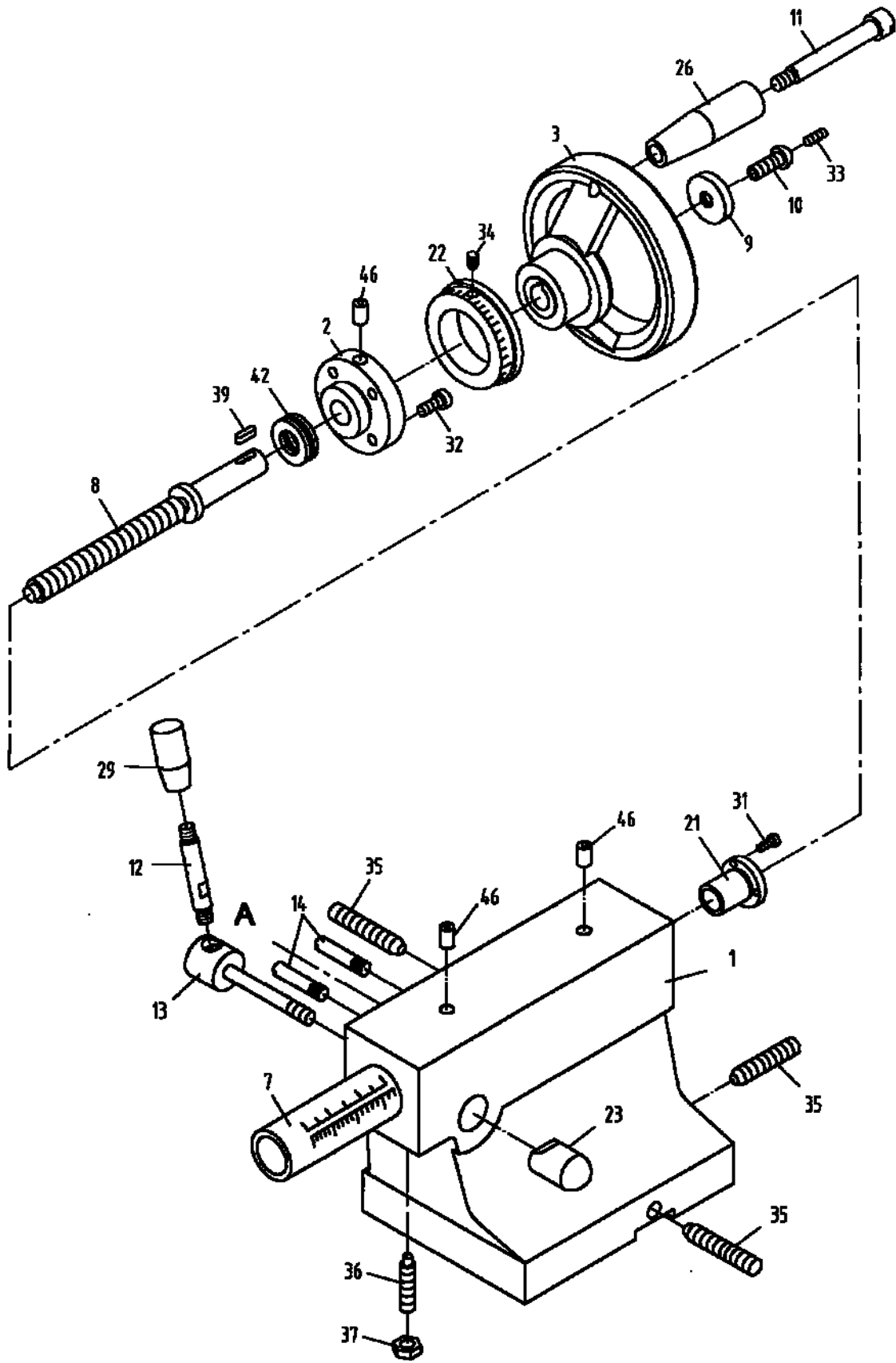
17.2 Top Slide, Tool Post, Saddle, and Cross Slide II – Parts List

Index No	Part No	Description	Size	Qty
1	07101	Slide (GHB-1340A, serial #07061685A and lower)		1
		(BDB-1340A, serial #0706B0764A and lower)		1
	GHB-1340A-04101A	Slide (GHB-1340A, serial #07061686A and higher)		1
		(BDB-1340A, serial #0707B0765A and higher)		1
		(for GHB-1440A)		
	GHB-1340A-04101AG	Slide		1
2	07102	Cross Slide		1
7	07120N	Bearing Housing		1
8	07123	Strip		1
9	07131	Gib		1
10	07132	Strip		1
11	07141	Front Strip (GHB-1340A, serial #07061685A and lower)		1
		(BDB-1340A, serial #0706B0764A and lower)		1
	C0632-04111A	Front Strip (GHB-1340A, serial #07061686A and higher)		1
		(BDB-1340A, serial #0707B0765A and higher)		1
		(for GHB-1440A)		1
20	07216	Collar		1
24	07222N	Index Ring		1
25	07224	Plate		2
27	07227	Plate		2
28	07229N	Screw		1
31	07236	Gib Adjusting Screw		2
34	07239	Gib Strip		2
35	07240	T-Bolt		2
36	07415N	Block		1
39	07526	Wiper		2
40	07528	Wiper		2
44	GHB1340-44T	Screw	M4x12	8
45	TS-1504051	Hex Socket Cap Screw	M8x25	2
45A	TS-1551061	Lock Washer	M8	2
46	GHB1340-46T	Screw	M8x20	3
47	GHB1340-47T	Screw	M8x20	4
48	TS-1503041	Hex Socket Cap Screw	M6x16	1
50	TS-1503061	Hex Socket Cap Screw	M6x25	2
52	TS-1504031	Hex Socket Cap Screw	M8x16	1
54	TS-1523021	Set Screw	M6x8	1
56	TS-1523071	Set Screw	M6x25	5
58	TS-1524021	Set Screw	M8x10	1
59	TS-1540041	Hex Nut	M6	4
61A	GHB1340-65T	Washer		1
64	GHB1340-64T	Oil Ball	8	5
67	07530	Gear Shaft		1
70	TS-1504041	Screw	M8x20	1
71	07531G	Handle		1
72	07532G	Compound Handle		1
73	07533	Spacer		1
74	07534	Key		1
75	07535	Set Screw	M3x8	1
76	07536	Key	5x5x30	1
77	BB-8101	Thrust Bearing	8101	2
78	07538	Bearing Housing		1
79	07539	Bearing Dust Cover		1
80	07540	Washer		1
81	07541	Star Washer		1
82	07542	Locking Nut		1
83	BB-8104	Thrust Bearing	8104	1

17.2 Top Slide, Tool Post, Saddle, and Cross Slide II – Parts List

Index No	Part No	Description	Size	Qty
84	GHB1340-84	Taper Pin	8x40	2
85	GHB1340-85	Hex Socket Cap Screw	M8x50	1
86	GHB1340-86	Locking Washer		1
87	GHB1340-87	Screw	M5x20	1
88	GHB1340-88	Oil Ball	6	1
91	GHB1340A-04789E	Stop Pin (GHB-1340A, serial #07061686A and higher)		1
		(BDB-1340A, serial #0707B0765A and higher)		1
		(for GHB1440A)		1
92	GHB-EL	Machine Lamp	JC34A	1
93	GHB-1340A18710B	Light Base		1
94	TS-1503051	Hex Socket Cap Screw	M6x20	3
95	TS-1503021	Hex Socket Cap Screw	M6x10	2
96	TS-1550041	Washer	6mm	2

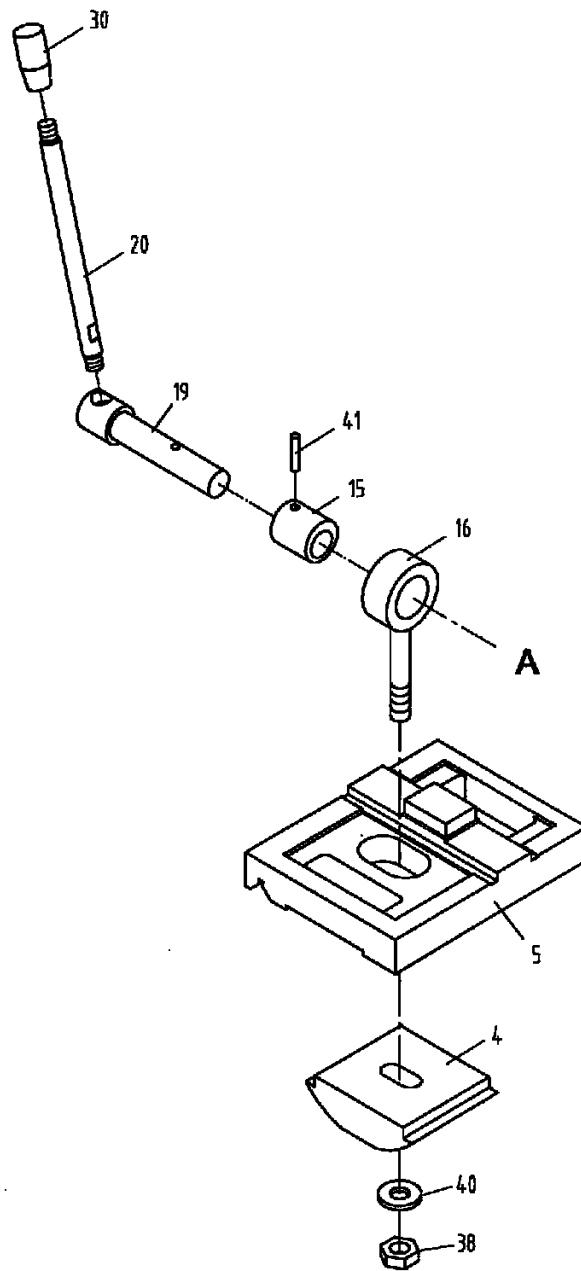
18.1 Tailstock Assembly I – Exploded View



18.2 Tailstock Assembly I – Parts List

Index No	Part No	Description	Size	Qty
1	Z08101G	Casting		1
2	Z08102G	Flange Cover		1
3	.08103G	Hand Wheel		1
7	.08202	Quill		1
8	Z08203	Screw		1
9	GHB1340-09TS	Washer		1
10	Z08205	Screw	M8x20	1
11	.08206G	Screw		1
12	Z08207	Lever		1
13	.08208	Shaft		1
14	.08209	Screw		2
21	.08401	Nut		1
22	.08402	Index Ring		1
23	.08403	Pivot Block		1
26	.08501G	Handle		1
29	GHB1340-147	Knob	M8x40	1
31	TS-1501031	Hex Socket Cap Screw	M4x10	3
32	TS-1503041	Hex Socket Cap Screw	M6x16	4
33	TS-1522061	Set Screw	M5x20	1
34	TS-1523031	Set Screw	M6x8	1
35	GHB1340-35TS	Set Screw	M10x45	3
36	GHB1340-36TS	Screw	M8x35	1
37	TS-1540061	Hex Nut	M8	1
39	GHB1340-39TS	Key	4x15	1
42	BB-51102	Bearing	8102	1
46	GHB1340-43TS	Oil Ball	8	3
	Z08201	Live Center (not shown)	MT3	1
	.8404	Arrow Plate (not shown)		1
	.8405	Scale Plate (not shown)		1

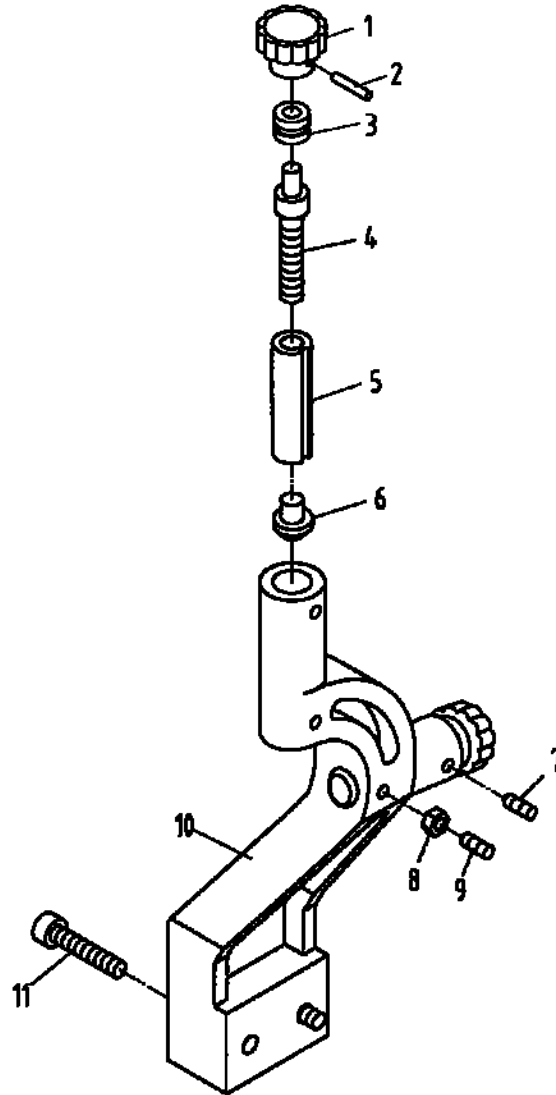
19.1 Tailstock Assembly II – Exploded View



19.2 Tailstock Assembly II – Parts List

Index No	Part No	Description	Size	Qty
4	08104	Clamp Plate		1
5	08105G	Base (For GHB-1340A/BDB-1340A)		1
	C0636A-03104G	Base (For GHB-1440A)		1
15	08211	Collar		1
16	08212	Screw (For GHB-1340A/BDB-1340A)		1
	C0636A-03707	Screw (For GHB-1440A)		1
19	08213	Shaft		1
20	08214	Lever		1
30	07508	Knob		1
38	TS-1540081	Hex Nut	M12	1
40	TS-2360121	Washer	12 mm	1
41	GHB1340-41TS	Pin	5x25	1

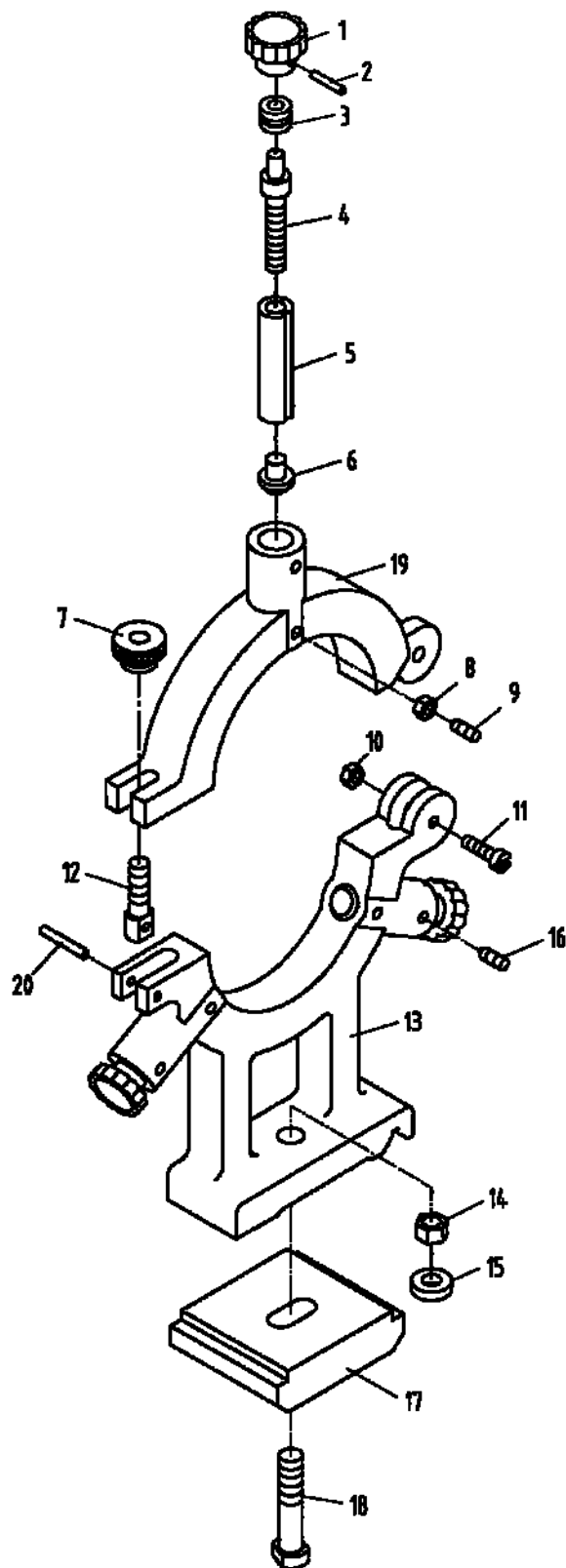
20.1 Follow Rest – Exploded View



20.2 Follow Rest – Parts List

Index No	Part No	Description	Size	Qty
1	GHB1340-1FR	Knob		2
2	GHB1340-2FR	Pin	3x18	2
3	10208	Bushing		2
4	10204	Screw		2
5	10201	Sleeve		2
6	10401	Brass Finger		2
7	TS-1523011	Set Screw	M6x8	2
8	TS-1540041	Nut	M6	2
9	TS-1523051	Set Screw	M6x16	2
10	10104G	Base Casting (For GHB-1340A/BDB-1340A)		1
	C0636A-10104G	Base Casting (For GHB-1440A)		1
11	TS-1504071	Hex Socket Cap Screw	M8x35	2
	GHB1340-FRG	Follow Rest Complete (For GHB-1340A/BDB-1340A)		1
	GHB1440A-FRG	Follow Rest Complete (For GHB-1440A)		1

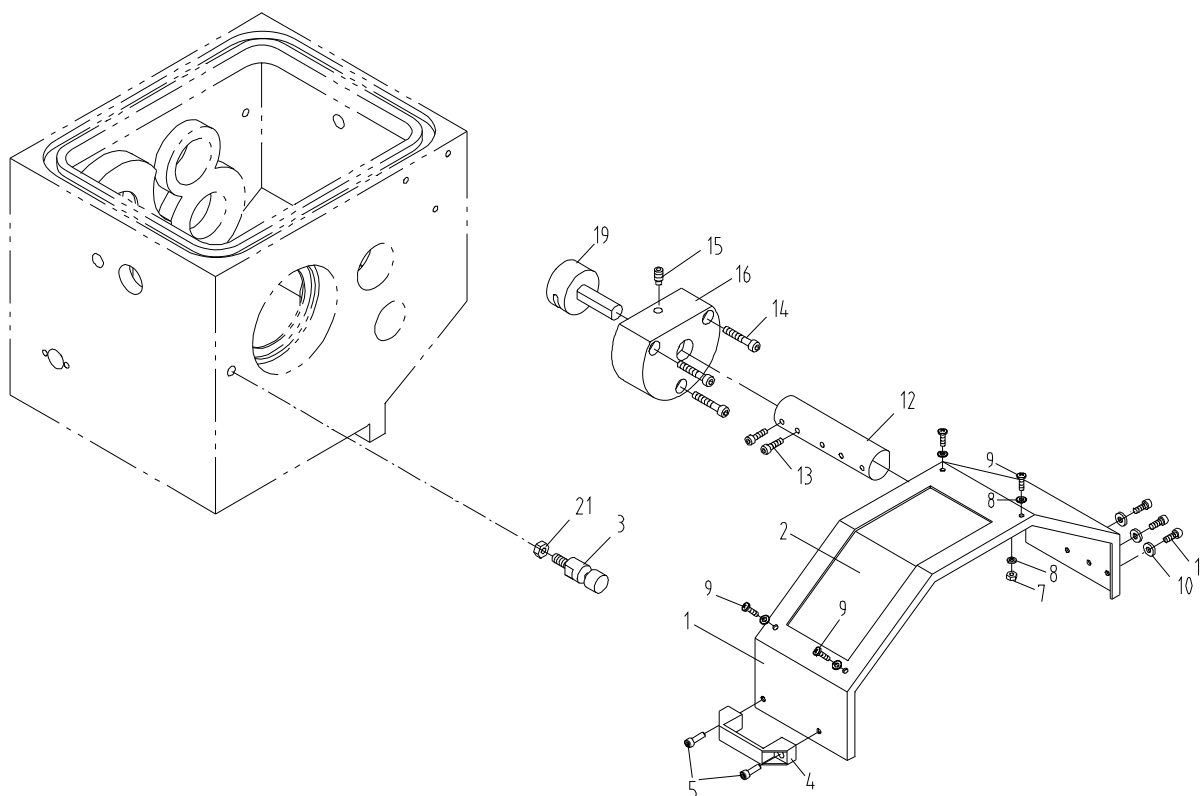
21.1 Steady Rest – Exploded View



21.2 Steady Rest – Parts List

Index No	Part No	Description	Size	Qty
1	GHB1340-1FR	Knob		3
2	GHB1340-2FR	Pin	3x18	3
3	10203	Bushing		3
4	10204	Screw		3
5	10201	Sleeve		3
6	10401	Brass Finger		3
7	10205	Lock Knob		1
8	TS-1540041	Nut	M6	3
9	TS-1523051	Set Screw	M6x16	3
10	TS-1540041	Nut	M6	1
11	GHB1340-11SR	Bolt	M6x30	1
12	10206	Pivot Bolt		1
13	10102G	Base Casting (For GHB-1340A/BDB-1340A)		1
	C0636A-10101G	Base Casting (For GHB-1440A)		1
14	TS-1540081	Nut	M12	1
15	TS-1550081	Flat Washer	12mm	1
16	TS-1523021	Set Screw	M6x8	3
17	10103	Clamp Rod		1
18	TH1340-18SR	Clamp Screw		1
19	10101G	Top Casting		1
20	GHB1340-20SR	Pin	5x25	1
	GHB1340-SRG	Steady Rest Complete (For GHB-1340A/BDB-1340A)		1
	GHB1440A-SRG	Steady Rest Complete (For GHB-1440A)		1

22.1 GHB-1340A/1440A Chuck Guard Assembly – Exploded View



22.2 GHB-1340A/1440A Chuck Guard Assembly – Parts List

Index No	Part No	Description	Size	Qty
	GHB-CGA	Chuck Guard Assembly (index #1 thru 21)		1
1	GHB1340A-19701EG	Protection Guard		1
2	GHB1340A-19501E...	Protection Guard Visual Glass		1
3	ZX-19704E	Fixing Rod		1
4	SG-04	Handle (serial #16013258A and lower)	HY32-1	1
	A90	Handle (serial #16043259A and higher)		1
5	TS-1503031	Hex Socket Cap Screw	M6x12	2
7	TS-1540021	Hex Thin Nut	M4	4
8	TS-1550031	Plain Washer	4 mm	8
9	TS-1532042	Cross Recessed Pan Head Screws	M4x12	4
10	TS-1550031	Plain Washer	6 mm	3
11	TS-1534032	Cross Recessed Pan Head Screws	M6x10	3
12	GHB1340A-19703E...	Rest Bar		1
13	TS-1524021	Hex Socket Set Screw	M8x10	2
14	TS-1503071	Hex Socket Cap Screw	M6x30	3
15	TS-1524041	Hex Socket Set Screw	M8x16	1
16	GHB1340A19704	Switch Box		1
19	GHB1340A19702E...	Shaft		1
21	TS-1540061	Hex Nut	M8	1

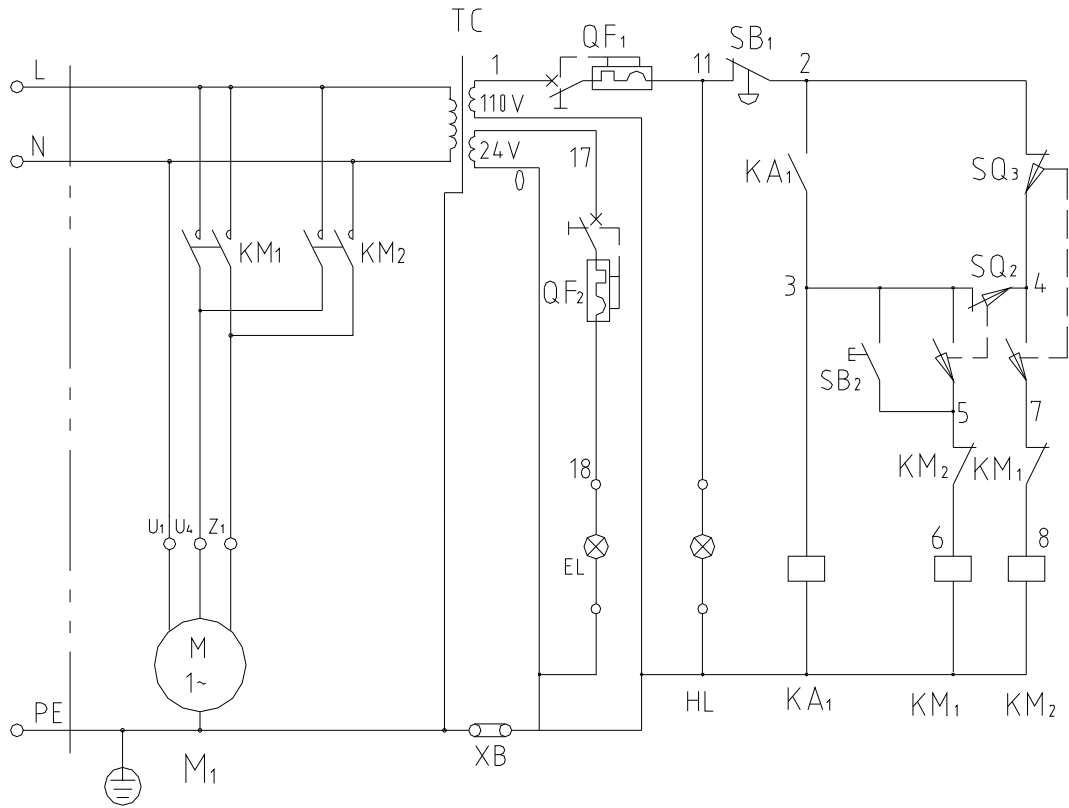
23.0 Additional Parts (Not Shown)

Index No	Part No	Description	Size	Qty
.....	GHB1340-FP.....	Face Plate.....	12"D1-4.....	1
.....	GHB1340-TBC.....	Tool Box Complete.....		1
.....	321449.....	Chuck.....	6" 3Jaw.....	1
.....	321430.....	Chuck.....	8" 4Jaw.....	1
.....	GHB1340A-CG1.....	Change Gear.....	1.25m44T.....	1
.....	GHB1340A-CG2.....	Change Gear.....	1.25m48T.....	1
.....	GHB1340A-CG3.....	Change Gear.....	1.25m33T.....	1
.....	GHB1340A-CG4.....	Change Gear.....	1.25m46T.....	1
.....	GHB1340A-CG5.....	Change Gear.....	1.25m52T.....	1

24.0 Additional Electrical Components (Not Shown)

Index No	Part No	Description	Size	Qty
.....	BDB1340-QS1.....	Main Power Switch (BDB-1340A Only).....		1
.....	BDB1340-QS1-A.....	Faceplate for Power Switch (BDB-1340A Only).....		1
.....	BDB1340-QS1-B.....	Knob for Power Switch (BDB-1340A Only).....		1
.....	321320.....	Motor (2HP,1Ph,60HZ 230V only for GHB-1340A/1440A).....		1
.....	GHB1340-MP.....	Motor Pulley.....		1
.....	321321.....	Motor (2HP,1Ph,60HZ 230V only for BDB-1340A).....		1
.....	BDB1340-MP.....	Motor Pulley.....		1
.....	GHB1340-C.....	Capacitor (same with BDB-1340A).....		1
.....	GHB1340-CC.....	Capacitor Cover (same with BDB-1340A).....		1
.....	GHB1340-CSF.....	Centrifugal Switch Fixture (same with BDB-1340A).....		1
.....	GHB1340-CSR.....	Centrifugal Switch Rotor.....		1
.....	BDB1340-CSR.....	Centrifugal Switch Rotor.....		1
.....	GHB1340A-EBCG.....	Electrical Box Complete.....		1
.....	BDB1340A-EBCG.....	Electrical Box Complete.....		1
.....	GHB1340A-18701G.....	Electrical Box (bare).....		1
.....	BDB1340A-18701G.....	Electrical Box (bare).....		1
.....	GHB1340-JB.....	Motor Junction Box.....		1
.....	BDB1340-JB.....	Motor Junction Box.....		1
.....	GHB1340A-RSB.....	Rotary Switch Box.....		1
.....	GHB1340A-SP.....	Electric Switch Plate (GHB-1340A/1440A Only).....		1

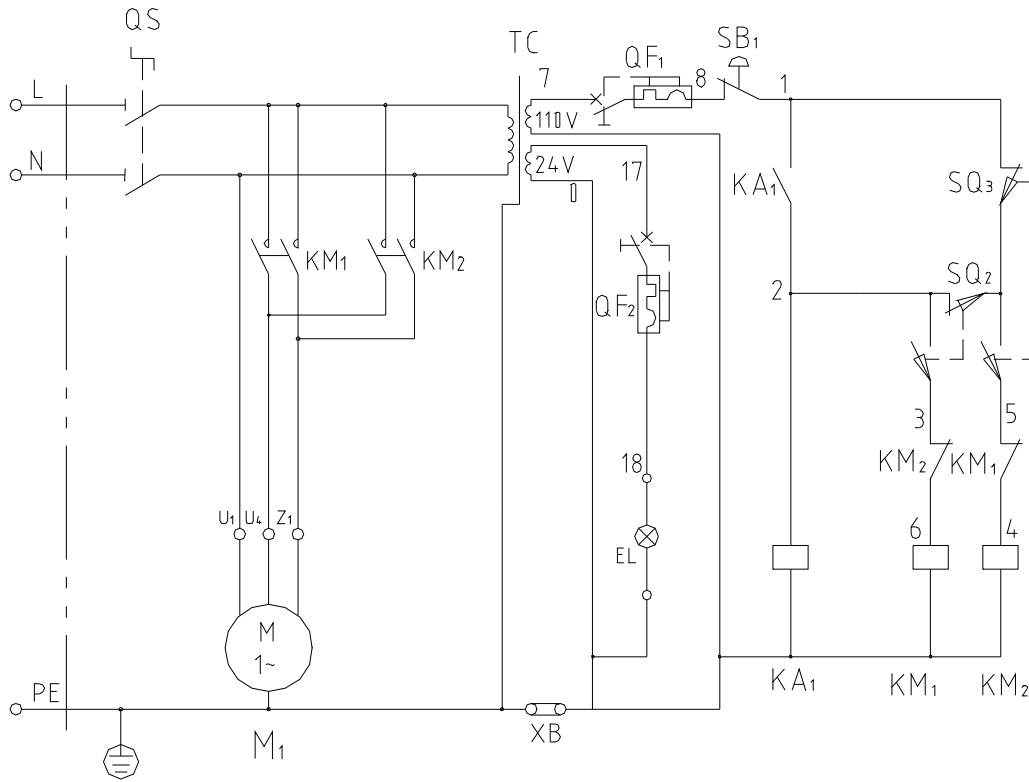
25.1 Electrical Schematic – GHB-1340A/1440A



25.2 Electrical Schematic Parts List – GHB-1340A/1440A

Index No	Part No	Description	Size	Qty
1	GHB-SB1	Emergency Stop	ZB2-BS54C	1
2	GHB-SB2	Jog Button	XB2-EA131	1
3	GHB-HL	Power Indicator Light	XB7-EVF3LC	1
4	GHB-KA1	Relay	HH52P	1
5	GHB-KM1	A.C.Contactor	3TB43	1
6	GHB-KM2	A.C.Contactor	3TB43	1
7	GHB-TC	Control Transformer	JBK5-100VATH	1
8	GHB-SQ2	Stroke Switch	LXW5-11D1	1
9	GHB-SQ3	Stroke Switch	LXW5-11D1	1
10	GHB-QF1	Breaker	DZ47-63	1
11	GHB-QF2	Breaker	DZ47-63	1
12	GHB-EL	Machine lamp	JC34A	1

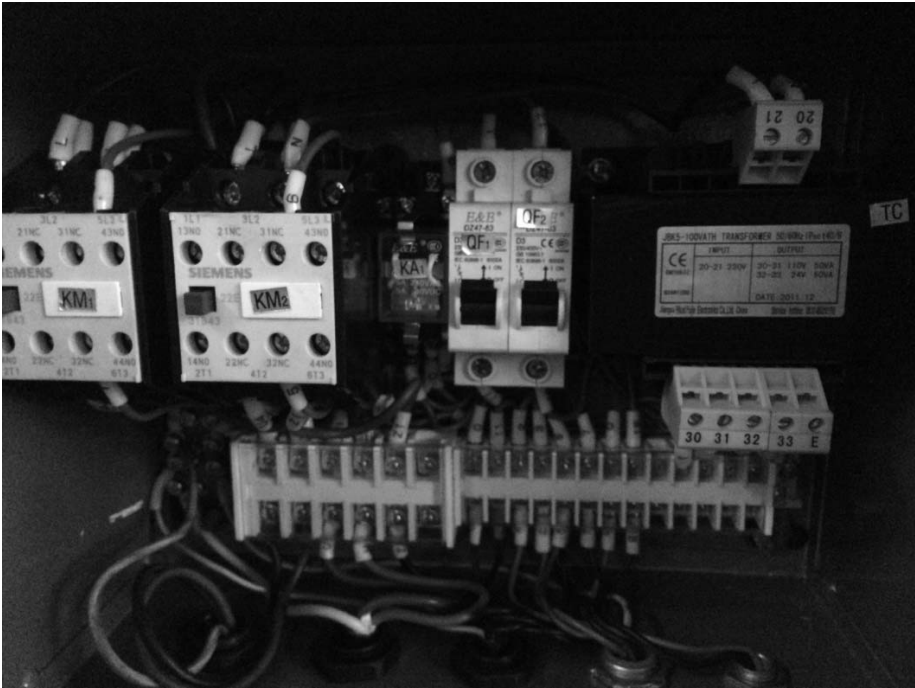
26.1 Electrical Schematic – BDB-1340A



26.2 Electrical Schematic Parts List – BDB-1340A

Index No	Part No	Description	Size	Qty
1	BDB-SB1	Emergency Stop	ZB2-BS54C	1
2	BDB-KA1	Relay	JZC3-40d	1
3	BDB-KM1	A.C.Contactor	GSC1-D2501	1
4	BDB -KM2	A.C.Contactor	GSC1-D2501	1
5	BDB-QS	Master switch	HZ5-20/4	1
7	BDB-TC	Control Transformer	JBK5-100VATH	1
8	BDB-SQ2	Stroke Switch	LXW5-11D1	1
9	BDB-SQ3	Stroke Switch	LXW5-11D1	1
10	BDB-QF1	Breaker	DZ47-63	1
11	BDB-QF2	Breaker	DZ47-63	1
12	BDB-EL	Machine lamp	JC34A	1

27.0 GHB-1340A/1440A Wiring Photo



28.0 BDB-1340A Wiring Photo

