

en	Original Instructions - Cordless jigsaw	7
fr	Notice d'utilisation d'origine - scie sauteuse sans fil	20
es	Manual de instrucciones original - Caladora a batería	35



Read all instructions before using
Lire toutes les instructions avant de démarrer les travaux.
Lea y comprende todas las instrucciones antes de usar.



CARVEX PSC 420 EB PSBC 420 EB

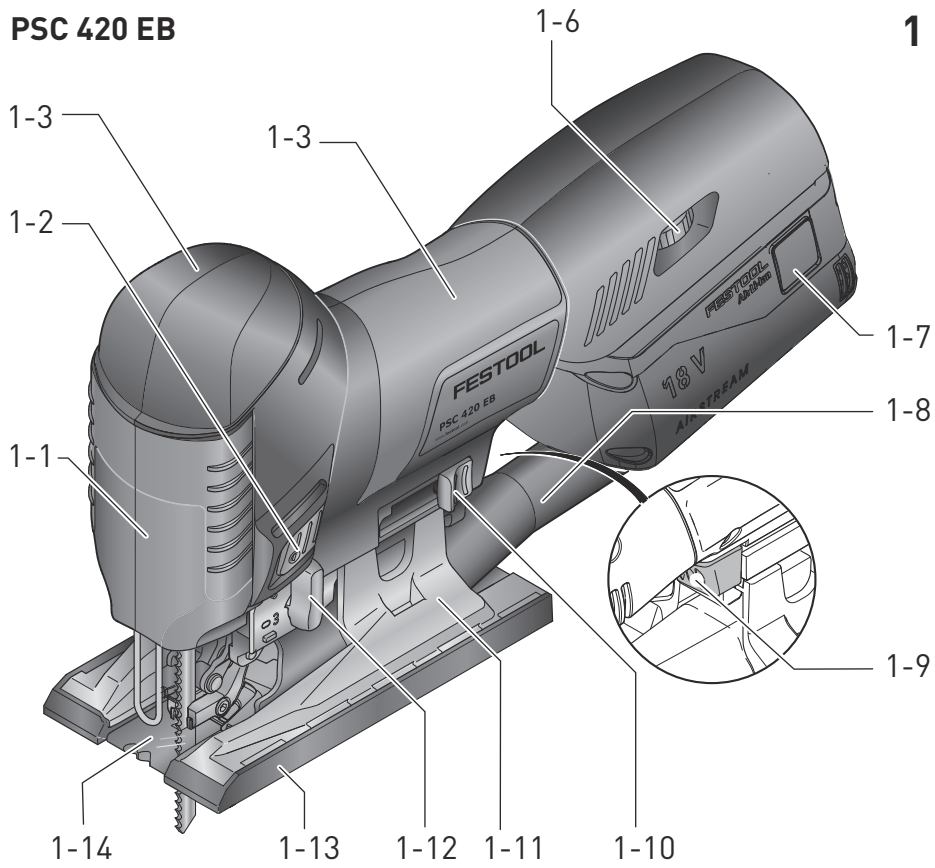


Festool GmbH
Wertstraße 20
73240 Wendlingen
Germany
www.festoolusa.com

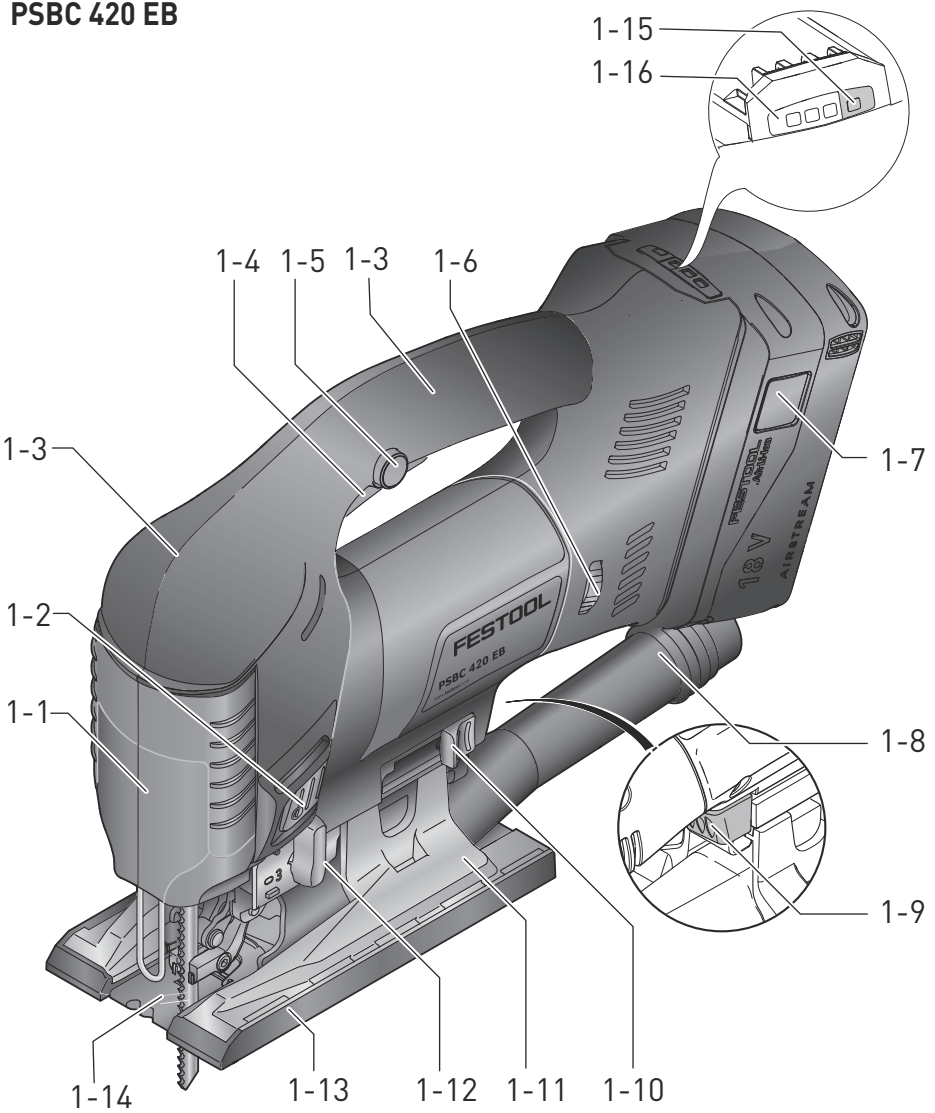


PSC 420 EB

1



PSBC 420 EB



Contents

1	Symbols.....	7
2	About this manual.....	7
3	Safety warnings.....	7
4	Intended use.....	10
5	Technical data.....	10
6	Parts of the machine.....	11
7	Commissioning.....	11
8	Battery pack.....	11
9	Settings.....	12
10	Working with the electric power tool.....	14
11	Service and maintenance.....	15
12	Accessories.....	16
13	Environment.....	18
14	General information.....	19

min⁻¹ revolutions per minute

" inch

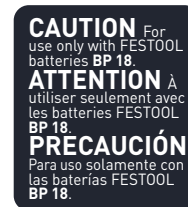
lb. pound

∅ diameter

Nm Newton metre

mm millimetre

° angular degree



CAUTION For use only with FESTOOL batteries BP 18

1 Symbols



Warning of general danger



Warning of electric shock



Read the operating manual and safety instructions.



Wear a dust mask.



Wear ear protection.



Wear protective goggles.



Wear protective gloves.



Inserting the battery pack



Removing the battery pack

i Tip or advice

► Handling instruction

V volts

A amperes

Hz hertz

~ alternating current

a.c.

— direct current

d.c.

n₀ no load speed

2 About this manual

Save these instructions

It is important for you to read and understand this manual. The information it contains relates to protecting **your safety** and **preventing problems**. The symbols below are used to help you recognize this information.



DANGER Description of imminent hazard and failure to avoid hazard will result in death.



WARNING Description of hazard and possible resulting injuries or death.



CAUTION Description of hazard and possible resulting injuries.

NOTICE Description of possible damage of the device or its surroundings.

3 Safety warnings

3.1 General power tool safety warnings



WARNING! Read all safety warnings, instructions, illustrations and specifications provided with this power tool. Failure to follow all instructions listed below may result in electric shock, fire and/or serious injury.

Save all warnings and instructions for future reference.

The term "power tool" in the warnings refers to your mains-operated (corded) power tool or battery-operated (cordless) power tool.

1 WORK AREA SAFETY

- a. **Keep work area clean and well lit.** Cluttered or dark areas invite accidents.
- b. **Do not operate power tools in explosive atmospheres, such as in the presence of flammable liquids, gases or dust.** Power tools create sparks which may ignite the dust or fumes.
- c. **Keep children and bystanders away while operating a power tool.** Distractions can cause you to lose control.

2 ELECTRICAL SAFETY

- a. **Power tool plugs must match the outlet. Never modify the plug in any way. Do not use any adapter plugs with earthed (grounded) power tools.** Unmodified plugs and matching outlets will reduce risk of electric shock.
- b. **Avoid body contact with earthed or grounded surfaces, such as pipes, radiators, ranges and refrigerators.** There is an increased risk of electric shock if your body is earthed or grounded.
- c. **Do not expose power tools to rain or wet conditions.** Water entering a power tool will increase the risk of electric shock.
- d. **Do not abuse the cord. Never use the cord for carrying, pulling or unplugging the power tool. Keep cord away from heat, oil, sharp edges or moving parts.** Damaged or entangled cords increase the risk of electric shock.
- e. **When operating a power tool outdoors, use an extension cord suitable for outdoor use.** Use of a cord suitable for outdoor use reduces the risk of electric shock.
- f. **If operating a power tool in a damp location is unavoidable, use a residual current device (RCD) protected supply.** Use of an RCD reduces the risk of electric shock.

3 PERSONAL SAFETY

- a. **Stay alert, watch what you are doing and use common sense when operating a power tool. Do not use a power tool while you are tired or under the influence of drugs, alcohol or medication.** A moment of inattention while operating power tools may result in serious personal injury.
- b. **Use personal protective equipment. Always wear eye protection.** Protective equipment such as a dust mask, non-skid safety shoes, hard hat or hearing protection

used for appropriate conditions will reduce personal injuries.

- c. **Prevent unintentional starting. Ensure the switch is in the off-position before connecting to power source and/or battery pack, picking up or carrying the tool.** Carrying power tools with your finger on the switch or energising power tools that have the switch on invites accidents.
- d. **Remove any adjusting key or wrench before turning the power tool on.** A wrench or a key left attached to a rotating part of the power tool may result in personal injury.
- e. **Do not overreach. Keep proper footing and balance at all times.** This enables better control of the power tool in unexpected situations.
- f. **Dress properly. Do not wear loose clothing or jewellery. Keep your hair and clothing away from moving parts.** Loose clothes, jewellery or long hair can be caught in moving parts.
- g. **If devices are provided for the connection of dust extraction and collection facilities, ensure these are connected and properly used.** Use of dust collection can reduce dust-related hazards.
- h. **Do not let familiarity gained from frequent use of tools allow you to become complacent and ignore tool safety principles.** A careless action can cause severe injury within a fraction of a second.

4 POWER TOOL USE AND CARE

- a. **Do not force the power tool. Use the correct power tool for your application.** The correct power tool will do the job better and safer at the rate for which it was designed.
- b. **Do not use the power tool if the switch does not turn it on and off.** Any power tool that cannot be controlled with the switch is dangerous and must be repaired.
- c. **Disconnect the plug from the power source and/or remove the battery pack, if detachable, from the power tool before making any adjustments, changing accessories, or storing power tools.** Such preventive safety measures reduce the risk of starting the power tool accidentally.
- d. **Store idle power tools out of the reach of children and do not allow persons unfamiliar with the power tool or these instructions to operate the power tool.** Power

- tools are dangerous in the hands of untrained users.
- e. **Maintain power tools and accessories. Check for misalignment or binding of moving parts, breakage of parts and any other condition that may affect the power tool's operation. If damaged, have the power tool repaired before use.** Many accidents are caused by poorly maintained power tools.
 - f. **Keep cutting tools sharp and clean.** Properly maintained cutting tools with sharp cutting edges are less likely to bind and are easier to control.
 - g. **Use the power tool, accessories and tool bits etc. in accordance with these instructions, taking into account the working conditions and the work to be performed.** Use of the power tool for operations different from those intended could result in a hazardous situation.
 - h. **Keep handles and grasping surfaces dry, clean and free from oil and grease.** Slippery handles and grasping surfaces do not allow for safe handling and control of the tool in unexpected situations.

5 BATTERY TOOL USE AND CARE

- a. **Recharge only with the charger specified by the manufacturer.** A charger that is suitable for one type of battery pack may create a risk of fire when used with another battery pack.
 - b. **Use power tools only with specifically designated battery packs.** Use of any other battery packs may create a risk of injury and fire.
 - c. **When battery pack is not in use, keep it away from other metal objects, like paper clips, coins, keys, nails, screws or other small metal objects, that can make a connection from one terminal to another.** Shorting the battery terminals together may cause burns or a fire.
 - d. **Under abusive conditions, liquid may be ejected from the battery; avoid contact. If contact accidentally occurs, flush with water. If liquid contacts eyes, additionally seek medical help.** Liquid ejected from the battery may cause irritation or burns.
 - e. **Do not use a battery pack or tool that is damaged or modified.** Damaged or modified batteries may exhibit unpredictable behaviour resulting in fire, explosion or risk of injury.
- f. **Do not expose a battery pack or tool to fire or excessive temperature.** Exposure to fire or temperature above 130 °C (265 °F) may cause explosion.
 - g. **Follow all charging instructions and do not charge the battery pack or tool outside the temperature range specified in the instructions.** Charging improperly or at temperatures outside the specified range may damage the battery and increase the risk of fire.

6 SERVICE

- a. **Have your power tool serviced by a qualified repair person using only identical replacement parts.** This will ensure that the safety of the power tool is maintained.
- b. **Never service damaged battery packs.** Service of battery packs should only be performed by the manufacturer or authorized service providers.
- c. **Only use original Festool parts for repair and maintenance.** The use of incompatible accessories or spare parts can result in electric shocks or other injuries.

Follow the operating manual for the charger and the battery pack.

3.2 Machine-specific safety notices

- **Hold the power tool by insulated gripping surfaces, when performing an operation where the cutting accessory may contact hidden wiring.** Cutting accessory contacting a "live" wire may make exposed metal parts of the power tool "live" and could give the operator an electric shock.
- **Use clamps or another practical way to secure and support the workpiece to a stable platform.** Holding the workpiece by hand or against your body leaves it unstable and may lead to loss of control.
- **Festool electric power tools must only be installed on work tables provided by Festool for this purpose.** If the tool is installed in another, or self-made, work table, it can become unstable and result in serious accidents.
- **Wait until the power tool has come to a complete halt before placing it down.** The insertion tool can get caught and lead to a loss of control of the power tool.
- Deformed or cracked saw blades and saw blades with blunt or broken cutting edges must not be used.

- The saw blade on the jigsaw must always be running when it makes contact with the workpiece.



- **Wear suitable personal protective equipment:** Ear protection, protective goggles, dust mask for work that generates dust, protective gloves for working with rough materials and for changing tools.
- **Harmful/poisonous dust may be produced when working (e.g. paint products containing lead and some types of wood).** Contact with or inhalation of this dust may pose a risk for the operating personnel or persons in the vicinity. Comply with the safety regulations that apply in your country.
- Always connect the machine to a dust extractor when performing work that generates dust.
- **Stroboscopic light can cause epileptic seizures.** Do not use this machine if you are susceptible to epileptic seizures.
- Do not look into the stroboscope light. Looking into the light source can damage your vision.
- **Do not use power supply units or third-party battery packs to operate cordless power tools. Do not use third-party chargers to charge the battery packs.** The use of accessories not expressly authorised by the manufacturer can result in electric shocks and/or serious accidents.

3.3 Metal processing



When processing metal, the following measures must be taken for safety reasons:

- Connect the machine to a suitable dust extractor.
- Regularly remove dust deposits in the motor housing.
- Use a saw blade specifically designed for the cutting of metal.
- Close the chip guard.

5 Technical data

Cordless jigsaw	PSC 420 EB	PSBC 420 EB
Motor voltage	10.8–18 V	
Stroke rate	1500–3800 min ⁻¹	1000–3800 min ⁻¹
Stroke length	1.02" (26 mm)	



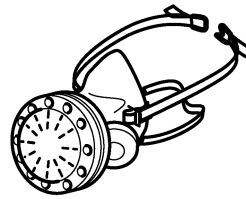
Wear protective goggles.

3.4 Health hazard by dust



WARNING! various dust created by power sanding, sawing, grinding, drilling and other construction activities contains chemicals known (to the State of California) to cause cancer, birth defects or other reproductive harm. Some examples of these chemicals are:

- lead from lead-based paints,
- crystalline silica from bricks and cement and other masonry products, and
- arsenic and chromium from chemically treated lumber.



The risk from these exposures varies, depending on how often you do this type of work. To reduce your exposure to these chemicals: work in a well ventilated area, and work with approved safety equipment, such as dust masks that are specially designed to filter out microscopic particles. Wash hands after handling.



WARNING

TO REDUCE THE RISK OF INJURY, USER MUST READ INSTRUCTION MANUAL.

4 Intended use

Jigsaws are designed for sawing wood and materials similar to wood. With the special saw blades offered by Festool, these machines can also be used for sawing plastic, steel, aluminium, non-ferrous metal and ceramic plates.



The user is liable for improper or non-intended use.

This power tool is suitable for use with BP Festool battery packs of the same voltage class.

Cordless jigsaw	PSC 420 EB	PSBC 420 EB
Pendulum stroke		4 settings
Max. inclination (only with accessory WT-PS 400 angle table)		45° to both sides
Max. cutting depth (depending on saw blade)	Wood	4-3/4" (120 mm)
	Aluminium	6/8" (20 mm)
	Steel	3/8" (10 mm)
Weight excl. battery pack		4.0 lbs (1.8 kg)
Weight as per EPTA-Procedure 01:2014 (with battery pack BP 18 Li 6.2 AS)		5.5 lb (2,5 kg)

6 Parts of the machine

- [1-1]** Chip guard
- [1-2]** On/off switch
- [1-3]** Gripping surfaces
- [1-4]** Variable speed trigger (only PSBC 420 EB)
- [1-6]** Safety lock (only PSBC 420 EB)
- [1-6]** Adjusting wheel for stroke rate control
- [1-7]** Buttons for releasing the battery pack
- [1-8]** Extractor connector
- [1-9]** Saw table change lever
- [1-10]** Saw blade ejection
- [1-11]** Replaceable saw table
- [1-12]** Pendulum stroke switch
- [1-13]** Base runner
- [1-14]** Chip ejection opening
- [1-15]** Capacity display button on battery pack
- [1-16]** Capacity display

The pictures for the functional description are on a fold-out page at the beginning of the instruction manual. While reading the manual you can fold out the page for comparison and quick reference.

Accessories shown or described are not always included in the scope of delivery.

7 Commissioning

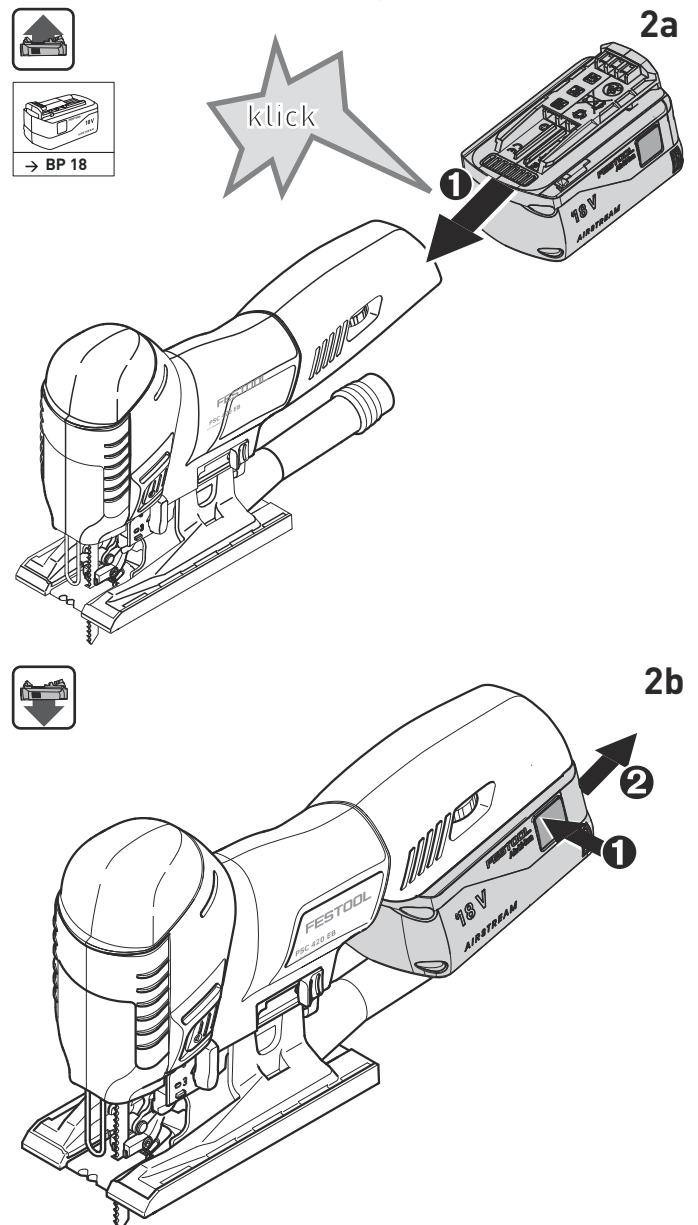
7.1 Switching on/off

The power tool features a switch **[1-2]** on both sides to turn it on and off.

The PSBC 420 EB also has a variable speed trigger **[1-4]** with a safety lock **[1-6]**. For continuous operation, use the button **[1-2]**.

8 Battery pack

- ▶ Inserting the battery pack **[2a]**
- ▶ Removing the battery pack **[2b]**





Risk of injury! Always remove the belt clip from battery packs from the BPC series prior to use.

8.1 Capacity display

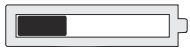
The capacity display [1-16] indicates the charge of the battery pack for approx. 2 seconds after the button [1-15] is pressed:



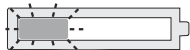
70-100%



40-70%



15-40%



< 15% *

* **Recommendation:** Charge the battery pack before any further use.

i Further information about the battery pack and charger can be found in the corresponding operating manual.

9 Settings



WARNING

Risk of injury, electric shock

- ▶ Always disconnect the battery packs from the machine before performing any type of work on the machine!

9.1 Changing tools



CAUTION

Risk of injury from hot and sharp tool

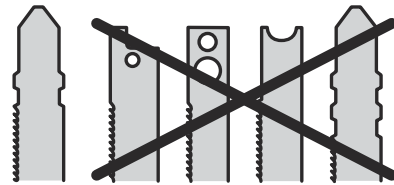
- ▶ Do not use any blunt or faulty tools.
- ▶ Wear protective gloves.

! Deformed or cracked saw blades and saw blades with blunt or broken cutting edges must not be used.

Selecting the saw blade

! Only use saw blades with a T-shank. The saw blade should not be longer than that required for the intended cut. To ensure safe guidance, during the cut the saw blade should emerge at the bottom of the workpiece at every point.

i Only use cross-set saw blades when using angle tables and base adapters. We recommend the S 105/4 FSG Festool saw blade.



Festool saw blades for jigsaws are colour-coded. The colour represents the material for which the saw blade is suited.

Colour	Material
Yellow	Wood
Red	Plastics
Green	Building materials
Blue	Metal

More information can be found on the packaging, in your Festool catalogue or at www.festool-usa.com.

Inserting the saw blade



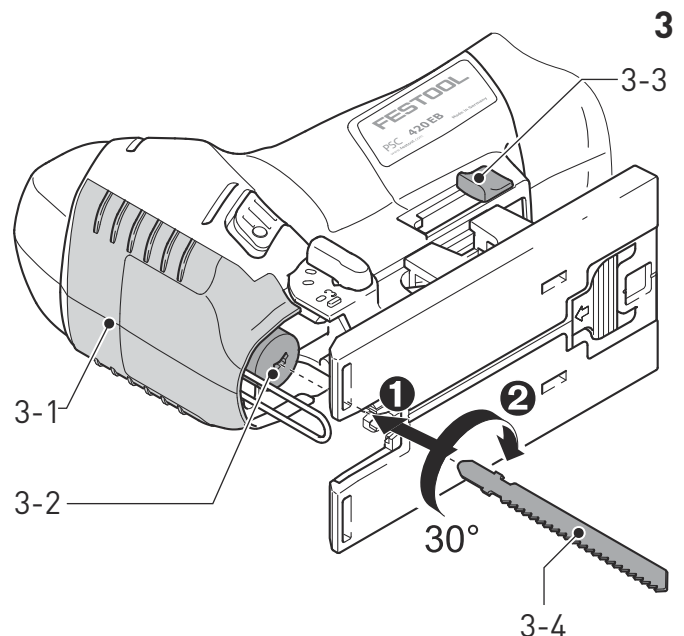
Always disconnect the power tool from the power supply before changing blades.

- ▶ If necessary, lift up the chip guard [3-1].
- ▶ Slide the saw blade [3-4] into the opening [3-2] as far as the stop with its teeth in the cutting direction.
- ▶ Turn the saw blade [3-4] clockwise by approx. 30° until it engages.



Check that the saw blade is secure. A loose saw blade can fall out and cause an injury.

i If the saw blade is very short, it is advisable to remove the saw table (see section 9.4) before inserting the saw blade.



Adjust the saw blade guide after every saw blade change

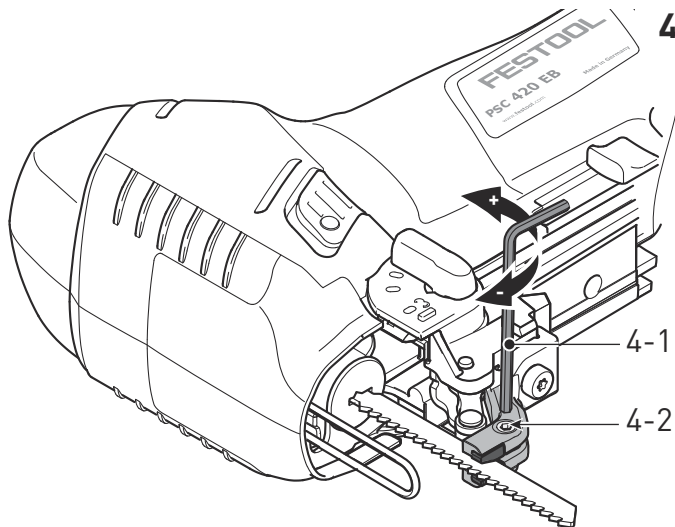
The saw blade guide was designed to improve guidance of the saw blade.

- ▶ Remove the saw table (see section 9.4).
- ▶ Tighten the screw [4-2] using the hex key [4-1] until the jaws are **almost** touching the saw blade.

NOTICE

Damage to the machine or saw blade

- ▶ Do not tighten the screw [4-2] too much. It must be possible to move the saw blade slightly.



Ejecting the saw blade

- ⓘ When ejecting the saw blade, hold the power tool such that no persons or animals can be injured.
- ▶ Push the saw blade ejection [3-3] forwards as far as the stop.
Saw blade ist thrust out mechanically.
- ⓘ A tool change is only possible when the tool holder is located in the upper position.

When changing the saw blade is not possible:

Let the jigsaw run at a high speed for 3–10 seconds. Actuate the saw blade ejection [3-3] again.

9.2 Using the chip guard

The chip guard [3-1] prevents chips from flying away and improves the efficiency of the chip extraction system.

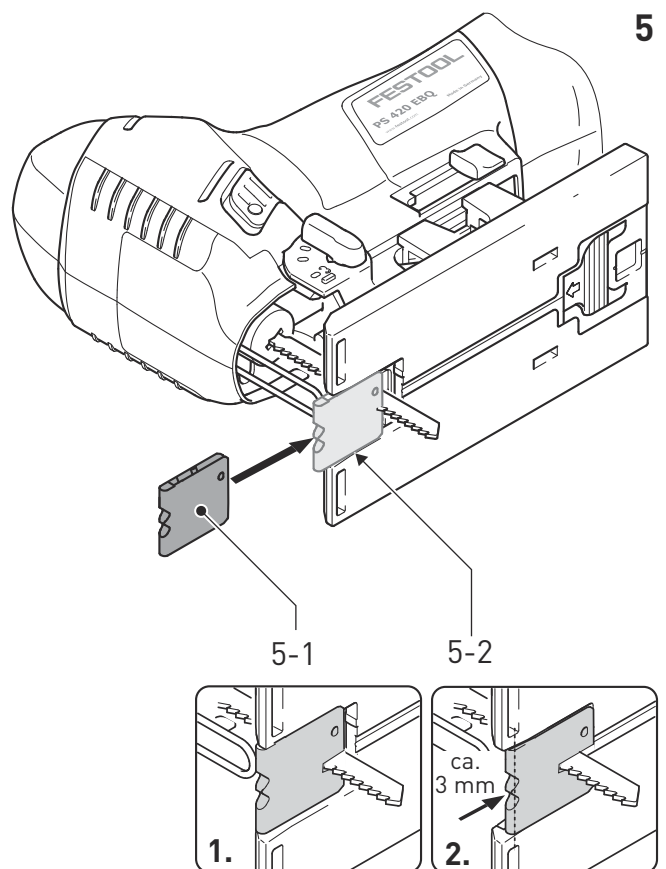
- ▶ Apply slight pressure to push the chip guard [3-1] downwards.

9.3 Inserting the splinterguard

The splinterguard prevents the edges of the material from splintering during the cut, even at the end where the saw blade exits the material.

- ▶ Switch off the machine and slide the splinterguard [5-1] onto the guide [5-2] and up to the saw blade.
- ▶ Switch on the jigsaw.
- ▶ On a level surface, slide in the splinterguard **(not using your hand!)** while the machine is operating until it is flush with the front edge of the saw table (speed setting 5). This cuts into the splinterguard.

- ⓘ When it is worn, push the splinterguard approx. 1/8" (3 mm) further to the rear and continue using it.
- ⓘ To guarantee reliable operation of the splinterguard, it must seal tightly on both sides of the saw blade. A new splinterguard should therefore be fitted after every saw blade change to guarantee splinter-free cuts.



9.4 Changing the saw table

- ▶ Open the change lever [1-9].
- ▶ Remove the saw table downwards.

- i** Assembly is performed in reverse sequence to removal. Ensure that the saw table is firmly seated in the guide.

Instead of the saw table, the WT-PS 400 angle table or ADT-PS 400 base adapter can be installed at the support.

- !** Never saw without the saw table, or one of the other tables or adapters offered in the Festool accessories range.

9.5 Extraction



WARNING

Health risk due to dust

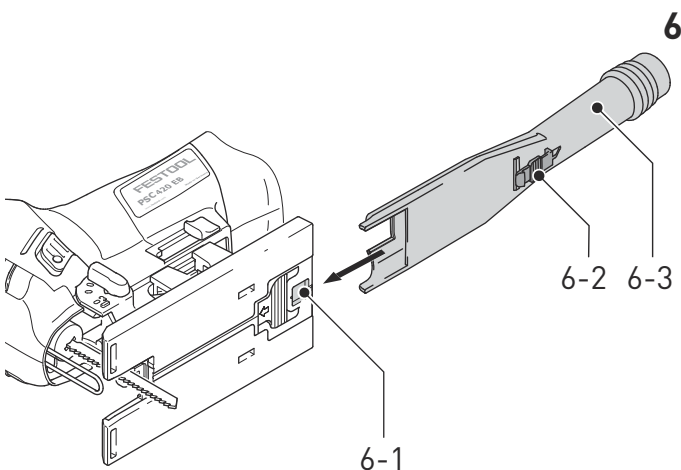
- ▶ Always work with an extractor.
- ▶ Comply with national regulations.

The extraction adapter **[6-3]** allows jigsaws to be connected to a dust extractor (hose diameter 1-1/16" [27 mm]).

- ▶ Insert the extraction adapter in the rear opening of the saw table so that the hook **[6-2]** engages in the recess **[6-1]**.
- ▶ To remove the extraction adapter, press the hook **[6-2]**.

- i** Due to the low power consumption of the machine (low energy consumption), dust extractors with an automatic switch-on function will sometimes only start up when the actual cut is made.

- ▶ Set the dust extractor to continuous operation for special applications (e.g. low stroke rate, soft wood).



9.6 Adjusting the pendulum stroke

In order to saw different materials with the proper rate of advance the pendulum stroke can be adjusted. Set the required stroke via the pendulum stroke switch **[1-12]**:

Position 0 = pendulum stroke disabled

Position 3 = maximum pendulum stroke

Recommended pendulum stroke setting

Softwood, chip board, wood fibreboard	1 - 3
Blockboard, plywood, plastic	1 - 2
Ceramics	0
Aluminium, non-ferrous metals	0 - 2
Steel, hardwood	0 - 1

9.7 Stroke rate control

Using the adjusting wheel **[1-6]**, the stroke rate can be continuously adjusted between 1500 and 3800 min⁻¹ (PSBC 420 EB: 1000–3800 min⁻¹). This enables you to optimise the cutting speed to suit the respective material.

Automatic load detection is activated in position **A**: The stroke rate drops when idling and is adjusted to the highest setting when the workpiece is introduced.

Recommended stroke rate (position of the adjusting wheel)

Hard and soft wood, blockboard, plywood, chipboard	A
Fibreboard	4-A
Plastic	3-A
Ceramic, aluminium, non-ferrous metals	3-5
Steel	2-4

10 Working with the electric power tool



CAUTION

Materials which produce a lot of dust

Damage to the machine due to the ingress of dust, risk of injury

- ▶ Do not work overhead.



WARNING

Risk of injury

- ▶ With the tool switched off and unplugged, check for tight fit of the sawblade before starting to work
- ▶ Always apply the pendulum jigsaw to the workpiece with the sawblade running.
- ▶ Wait until the power tool stops completely until placing it down. The tool can become entangled and lead to a loss of control of the power tool.

When working on small or thin workpieces, always use a stable base.

When working, hold the electric power tool by the handle and guide it along the desired cutting line. For precise cuts and smooth running, use two hands to guide the electric power tool.

10.1 Free saw guidance along a scribe mark

The triangular pointer on the splinterguard **[5-1]** indicates the cutting line of the saw blade. This facilitates sawing along a scribe mark.

10.2 Lighting



WARNING

Stroboscopic light could lead to misjudgment of the saw blade position

Risk of injury

- Ensure the work area is well illuminated.

A steady light or stroboscopic light is installed to illuminate the cutting line:

Up to approx. 2100 min⁻¹: Steady light

From approx. 2100 min⁻¹ upwards: Stroboscopic light

- ⓘ In the overhead position (+/- 45°), the lighting is switched off completely.

If required, you can adjust the lighting:

- Plug in the electric power tool.
- Press both buttons **[1-2]** simultaneously and hold for approx. 10 s until a beep sounds.
- Release both buttons **[1-2]**.
- Press the left button (on the pendulum stroke side) the specified number of times to set the desired mode:

Mode	Indication during configuration	Behaviour during operation
1	Light flashes	With stroboscope (standard)
2	Light on	Steady light without stroboscope
3	Light off	Light switched off

- Press the right button to save the setting.

10.3 Acoustic warning signals

Acoustic warning signals sound and the machine switches off in the following operating states:



peep — —

Battery flat or machine overloaded.

- Change the battery.
- Place the machine under reduced stress.



peep peep —

Machine is overheating.

- You must allow the machine to cool before using again.



peep peep peep

Lithium battery pack is faulty or has overheated.

- Once the battery pack has cooled, perform a functional check using the charger.

11 Service and maintenance



WARNING

Risk of injury, electric shock

- Always disconnect the battery pack from the machine before any cleaning or maintenance!



WARNING

Any maintenance or repair work that requires opening of the motor or gear housing should only be carried out by an authorised Customer Service Centre (name supplied by your dealer)!

- Maintenance or repair work carried out by an unauthorised person can lead to the wrong connection of the power cord or other components, which in turn can lead to accidents with serious consequences.



CAUTION

Certain cleaning agents and solvents are harmful to plastic parts.

- Some of these include, but are not limited to: Gasoline, Acetone, Methyl Ethyl Ketone (MEK), Carbonyl Chloride, cleaning solutions containing Chlorine, Ammonia, and household cleaners containing Ammonia.



Customer service and repairs must only be carried out by the manufacturer or service workshops. Find the nearest address at: www.festool-usa.com/service



Always use original Festool spare parts. Order no. at: www.festoolusa.com/service

11.1 Observe the following information

- ▶ Check the guidance roller regularly for wear.
- ▶ Regularly remove dust deposits from the chip guard.
- ▶ Regularly clean the base runner to prevent scratches and cores on the surface.
- ▶ Damaged safety devices and components must be repaired or replaced in a recognised specialist workshop, unless otherwise indicated in the operating manual.
- ▶ To ensure constant air circulation, always keep the cooling air openings in the motor housing clean and free of blockages.
- ▶ Keep the contacts on the power tool, charger and battery pack clean.
- ▶ Check all warnings on the electric power tool for readability and completeness. Replace missing or illegible warnings.

11.2 Cleaning the chip ejection opening

Clean the chip ejection opening [1-14] regularly to prevent blockages:

- ▶ Remove the chip guard.
- ▶ Use a brush or vacuum cleaner to clean the chip ejection opening.
- ▶ Reinsert the chip guard.

Check all warnings on the electric power tool for readability and completeness. Replace missing or illegible warnings.

12 Accessories



WARNING

Risk of injury

- ▶ Remove the battery pack from the power tool before performing any work on the power tool.

Use only original Festool accessories and Festool consumable material intended for this machine. These components are designed specifically for this machine. Using accessories and consumable material from other suppliers will most likely affect the quality of your results and limit warranty claims. Machine wear or your own personal workload may increase depending on the application. Protect yourself and your machine, and preserve your warranty claims by always using original Festool accessories and Festool consumable material!

The order numbers of the accessories and tools can be found in the Festool catalogue or on the Internet under "www.festoolusa.com".

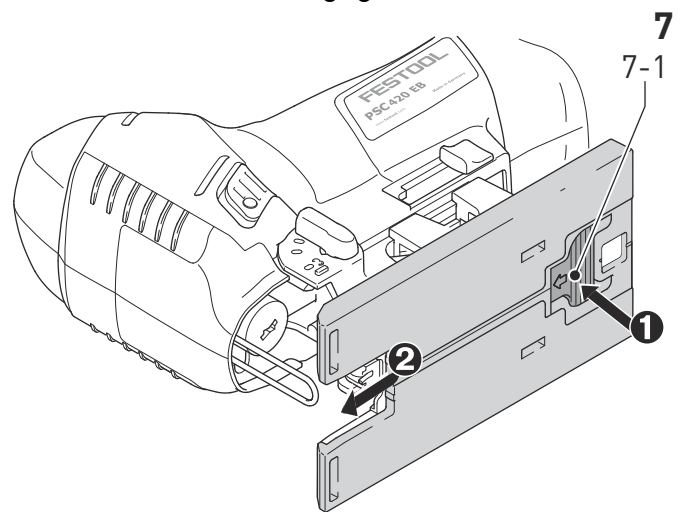
12.1 Saw blades, other accessories

In order to saw different materials quickly and cleanly, Festool offers saw blades for all applications that are specially designed for your Festool jigsaw.


12.2 Sawing with special base runners

The special base runners protect high-quality surfaces against scratches and scores.

- ▶ Press in the base runner at position [7-1].
- ▶ At the same time, push the base runner forwards.
- ▶ Mount another base runner and push it to the rear until it engages.



12.3 Sawing with the angle table

 The WT-PS 400 angle table is used for cutting pipes or interior and exterior angles up to 45°.

Dust extraction is not possible when sawing with the angle table!

Installing the angle table

- ▶ Remove the saw table [1-11] (see section 9.4).
- ▶ Position the angle table against the saw base support.
- ▶ Close the lever [1-9].

Ensure that the angle table is firmly seated in the guide.

Setting the angle

- ▶ Turn the adjusting wheel [8-1] to select the required angle.

You can select the angles -45°, 0° and +45° on the scale [8-2].



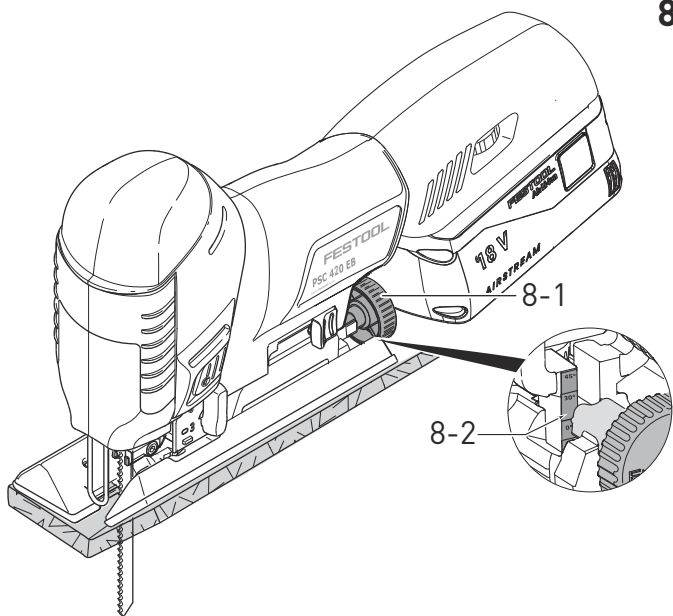
WARNING

Sawing cutting depths

Risk of injury

- ▶ Select the saw blade length and cutting depth so that the saw blade remains plunged in the workpiece.

- ⓘ For 0° cuts, we recommend setting the angle table to a small negative angle to guarantee smooth operation.



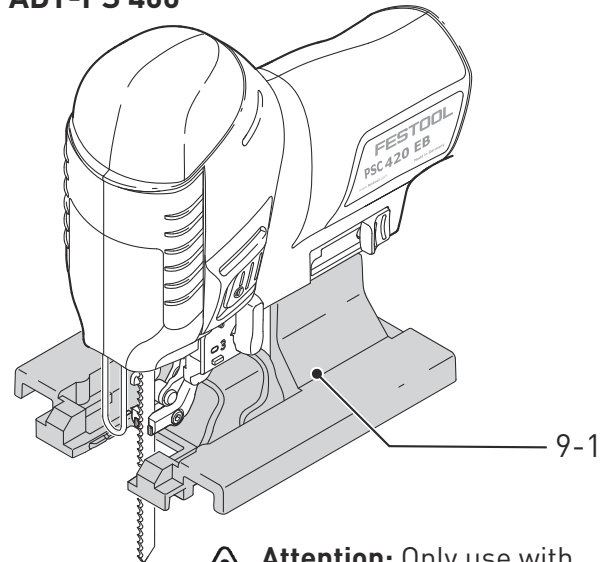
8

12.4 Sawing with the base adapter

The ADT-PS 400 base adapter is used for attaching your jigsaw to the Festool guide rail and the KS-PS 400 core maker.

- ⚠ **With guide rail and core maker:** Observe the max. material thickness of 6/8" (20 mm) and only use cross-set saw blades (FSG).

ADT-PS 400



9-1



Attention: Only use with materials thinner than 20mm and cross-set sawblade!

Installing the base adapter

- ▶ Remove the saw table [1-11] (see section 9.4).
- ▶ Position the base adapter [9-1] against the saw table support.
- ▶ Close the lever [1-9].

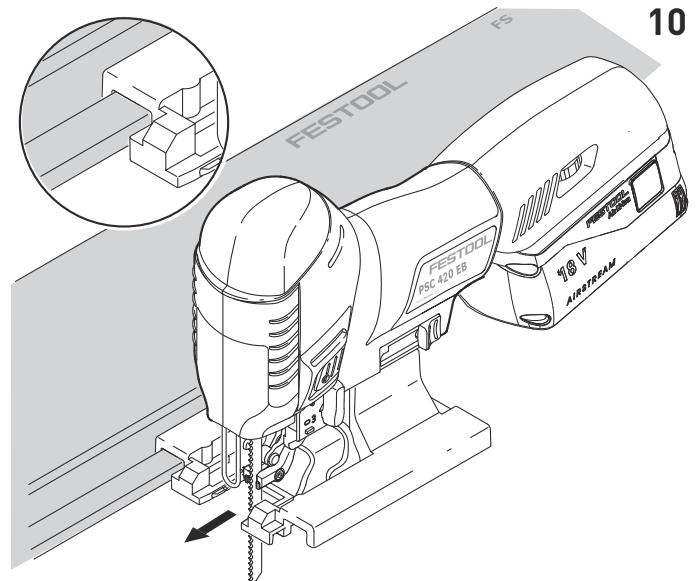
Ensure that the base adapter is firmly seated in the guide.

- ⓘ Also use the extractor connector [1-8] with the base adapter.

Adaptation to the FS 2 guide rail

The FS 2 Festool guide system (Fig. [10]) makes it much easier to produce straight and precise cuts.

- ▶ Place the jigsaw with attached base adapter [9-1] on the guide rail.



10

Adaptation to the core maker

The core maker can be used to create circular cuts with a diameter between 4-3/4" and

118-1/8" (120 and 3000 mm). The core maker can be installed from both sides on the base adapter.

- ▶ Place the jigsaw with attached base adapter on the adapter **[11-1]** on the core maker.
- ▶ Insert the centring mandrel **[11-2]** in the hole **[11-4]** on the core maker aligned with the saw blade.
- ▶ Clamp the measuring tape to the core maker using the rotary knob **[11-5]**.

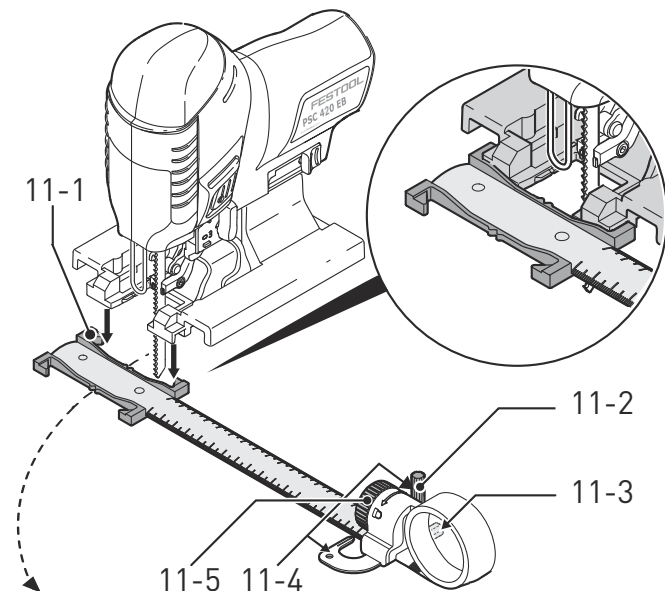
Recommended settings when using the core maker:

- ▶ Cut in an anticlockwise direction.
- ▶ Work at a slow rate of advance.
- ▶ Set the pendulum stroke **[1-12]** to 0-1.
- ▶ Set the stroke rate **[1-6]** to 1-5.

i Store the centring mandrel in the depot **[11-3]**.

KS-PS 400

11



12.5 SYSTAINER

Systainer

Many Festool products are shipped in a unique system container, called "Systainer". This provides protection and storage for the tool and accessories. The Systainers are stackable and can be interlocked together. They also can be interlocked atop Festool CT dust extractors.

To open the Systainer



Turn the T-loc to this position.

To lock the Systainer



Turn the T-loc to this position.

To connect two Systainers

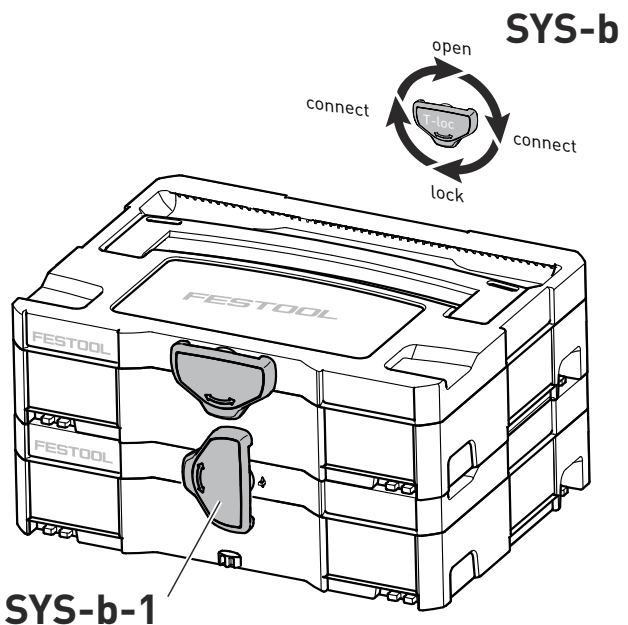
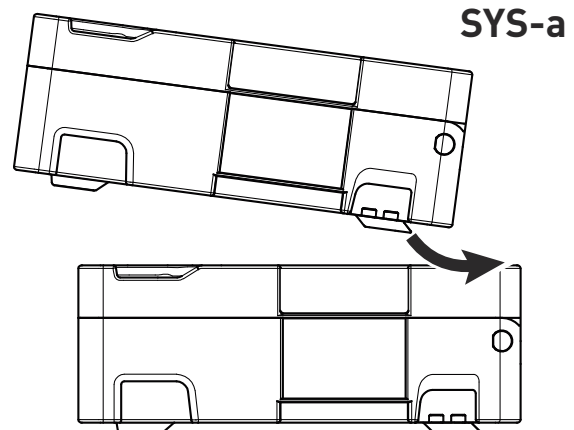
Place one Systainer on the top of the other (Fig.).



Turn the T-loc to one of this positions (Fig.).

The Systainers are connected and locked.

i A new generation Systainer is connectable on top of a previous generation Systainer by the four latches of the previous Systainer.



13 Environment

Do not dispose of the device together with domestic waste! Dispose of machines, accessories and packaging at an environmentally responsible recycling centre. Observe the valid national regulations.

Battery Disposal



WARNING

Risk of fire or injury

- ▶ Do not attempt to disassemble the battery or remove any component projecting from the battery terminals.
- ▶ Prior to disposal, protect exposed terminals with heavy insulating tape to prevent shorting.



The RBRC™ (Rechargeable Battery Recycling Corporation) Seal on nickel cadmium (NiCd), nickel metal hydride (NiMH) or lithium-ion (Li-Ion) batteries (or battery packs) indicates Festool is voluntarily participating in an industry program to collect and recycle these batteries at the end of their useful life, when taken out of service in the United States or Canada. In some areas, it is illegal to place spent batteries in the trash or municipal solid waste stream and RBRC Program provides an environmentally conscious alternative.

Please call 1-800-822-8837 for information on battery recycling and disposal bans/restrictions in your area, or return your batteries to the Festool Service Center for recycling. Help protect our environment and conserve natural resources!

14 General information








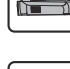


14.1 Bluetooth®

The Bluetooth® word mark and the logos are registered trademarks of Bluetooth SIG, Inc.; they are used by TTS Tooltechnic Systems AG & Co. KG, and therefore by Festool, under licence.

Sommaire

1	Symboles.....	20
2	À propos de ce manuel.....	20
3	Consignes de sécurité.....	21
4	Utilisation en conformité avec les instructions.....	24
5	Caractéristiques techniques.....	24
6	Éléments de l'appareil.....	25
7	Mise en service.....	25
8	Batterie.....	25
9	Réglages.....	26
10	Utilisation de l'outil électroportatif.....	29
11	Entretien et maintenance.....	30
12	Accessoires.....	31
13	Environnement.....	33
14	Remarques générales.....	34

1 Symboles

-  Avertit d'un danger général
-  Avertit d'un risque de décharge électrique
-  Lire le mode d'emploi et les consignes de sécurité !
-  Porter une protection respiratoire !
-  Porter une protection auditive !
-  Porter des lunettes de protection !
-  Porter des gants de protection !
-  Insérer la batterie
-  Dégager la batterie
-  Conseil, information
-  Handlungsanweisung
- V Volt
- A Ampère
- Hz Hertz
- ~ a.c. Tension alternative
- d.c. Tension continu

- n_0 Vitesse de rotation à vide
- " pouce
- lb. livre
- ∅ Diamètre
- Nm Newton metre
- mm millimètre
- ° degré angulaire






ATTENTION À utiliser seulement avec les batteries FESTOOL BP 18

2 À propos de ce manuel

Conservez ces instructions

Il est important pour vous de lire et de comprendre ce manuel. Les informations qu'il contient, se rapporte à la protection **de votre sécurité** et **de prévention des problèmes**. Les symboles suivants sont utilisés pour vous aider à reconnaître cette information.

	DANGER	Description du risque imminent et l'incapacité à éviter tout risque qui peut entraîner la mort.
	AVERTISSEMENT	Description des dangers possibles et des blessures qui en résultent ou la mort.
	ATTENTION	Description des dangers et des éventuelles blessures qui en résultent.
	AVIS	Description des dommages potentiels sur l'appareil ou dans son environnement.

3 Consignes de sécurité

3.1 Consignes générales de sécurité pour outils électroportatifs



AVERTISSEMENT ! Veuillez lire toutes les consignes de sécurité, instructions, illustrations et caractéristiques techniques qui accompagnent le présent outil électroportatif.

Des négligences relatives aux instructions suivantes peuvent occasionner un choc électrique, un incendie et/ou des blessures graves.

Conserver l'ensemble des consignes de sécurité et des instructions afin de pouvoir les consulter ultérieurement.

Le terme « outil électroportatif » utilisé dans les consignes de sécurité se rapporte aux outils électroportatifs fonctionnant sur secteur (avec câble) et aux outils électroportatifs fonctionnant sur batterie (sans câble).

1 SÉCURITÉ DU POSTE DE TRAVAIL

- Veillez à ce que la zone de travail soit propre et bien éclairée.** Un poste de travail en désordre ou mal éclairé peut entraîner des accidents.
- Ne vous servez pas de l'outil électroportatif dans un environnement où il y a un risque d'explosion dû à la présence de liquides inflammables, de gaz ou de poussières.** Les outils électroportatifs peuvent générer des étincelles susceptibles d'enflammer la poussière ou les vapeurs.
- Éloignez les enfants et d'autres personnes pendant l'utilisation de l'outil électroportatif.** Si vous êtes distrait, vous pouvez perdre le contrôle de l'outil.

2 SÉCURITÉ ÉLECTRIQUE

- Le connecteur de l'outil électroportatif doit correspondre à la prise électrique. Le connecteur ne doit être modifié d'aucune façon. N'utilisez pas d'adaptateur avec des outils électroportatifs mis à la terre.** Des connecteurs intacts et des prises correspondantes diminuent le risque d'un choc électrique.
- Évitez tout contact avec des surfaces mises à la terre telles que des tuyaux, chauffages, cuisinières et réfrigérateurs.** Un risque élevé de choc électrique existe si votre corps est relié à la terre.
- Protégez les outils électroportatifs de la pluie et de l'humidité.** L'infiltration d'eau dans un outil électroportatif augmente le risque de choc électrique.

- Ne détournez pas l'utilisation du câble de raccordement pour porter l'outil électroportatif, l'accrocher ou pour tirer le connecteur de la prise. Éloignez le câble de la chaleur, de l'huile, de bords tranchants ou de pièces en mouvement.** Des câbles de raccordement endommagés ou enchevêtrés augmentent le risque de choc électrique.
- Si vous travaillez avec un outil électroportatif à l'extérieur, utilisez uniquement des rallonges prévues pour l'extérieur.** L'utilisation d'un câble prévu pour l'extérieur diminue le risque d'un choc électrique.
- Utilisez un disjoncteur à courant de défaut quand le fonctionnement de l'outil électroportatif en environnement humide ne peut pas être évité.** L'utilisation d'un disjoncteur à courant de défaut diminue le risque d'un choc électrique.

3 SÉCURITÉ DES PERSONNES

- Soyez attentif à ce que vous faites, faites preuve de bon sens lorsque vous travaillez avec l'outil électroportatif. N'utilisez pas l'outil électroportatif si vous êtes fatigué ou si vous êtes sous l'influence de drogues, de l'alcool ou de médicaments.** Un moment d'inattention lors de l'utilisation de l'outil électroportatif peut entraîner des blessures graves.
- Portez un équipement de protection individuelle et des lunettes de protection en permanence.** Le port d'un équipement de protection individuelle tel que masque contre la poussière, chaussures de sécurité antidérapantes, casque ou protection auditive, en fonction du type et de l'utilisation de l'outil électroportatif, diminue le risque de blessures.
- Évitez toute mise en service involontaire. Assurez-vous que l'outil électroportatif est déconnecté avant de le raccorder à l'alimentation électrique et/ou à la batterie, avant de le soulever ou de le porter.** Si, en portant l'outil électroportatif, vous avez le doigt sur l'interrupteur ou si vous raccordez l'appareil connecté à l'alimentation électrique, cela peut entraîner des accidents.
- Retirez les outils de réglage ou les clés anglaises avant de connecter l'outil électroportatif.** Un outil ou une clé qui se trouve dans une partie en rotation de l'outil

- électroportatif peut entraîner des blessures.
- e. **Évitez toute position de travail anormale. Veillez à maintenir une position stable et un bon équilibre à tout moment.** Vous pourrez ainsi à tout moment contrôler l'outil électroportatif dans des situations inattendues.
 - f. **Portez des vêtements adaptés. Ne portez pas de vêtements amples ou de bijoux. Éloignez vos cheveux et vos vêtements des pièces en mouvement.** Des vêtements amples, des bijoux ou des cheveux longs pourraient se prendre dans les pièces en mouvement.
 - g. **Si des dispositifs d'aspiration et de récupération des poussières peuvent être montés, raccordez-les et utilisez-les correctement.** L'utilisation d'une aspiration des poussières peut diminuer les dangers dus aux poussières.
 - h. **Ne vous croyez pas faussement en sécurité et n'enfreignez pas les règles de sécurité destinées aux outils électroportatifs, même si vous maîtrisez l'outil électroportatif après de multiples utilisations.** Un manque d'attention peut en un quart de seconde entraîner de graves blessures.

4 UTILISATION ET TRAITEMENT DE L'OUTIL ÉLECTROPORTATIF

- a. **Ne surchargez pas l'outil électroportatif. Utilisez l'outil électroportatif destiné à votre travail.** L'outil électroportatif adapté vous permet de travailler mieux et avec plus de sécurité dans la plage de puissance indiquée.
- b. **N'utilisez aucun outil électroportatif dont l'interrupteur serait défectueux.** Un outil électroportatif qui ne peut plus être mis en marche ou arrêté est dangereux et doit être réparé.
- c. **Débranchez le connecteur de la prise de courant et/ou retirez une batterie amovible avant d'effectuer des réglages sur l'appareil, de remplacer des pièces d'outil ou de déposer l'outil électroportatif.** Cette mesure de précaution empêche un démarrage involontaire de l'outil électroportatif.
- d. **Rangez toujours les outils électroportatifs inutilisés hors de portée des enfants. Ne laissez aucune personne à laquelle vous ne faites pas confiance ou qui n'a pas lu ces consignes se servir de l'outil électroportatif.** Les outils électroportatifs sont

dangereux lorsqu'ils sont utilisés par des personnes inexpérimentées.

- e. **Prenez soin de vos outils électroportatifs et outils. Vérifiez que les parties mobiles fonctionnent sans problème, qu'elles ne coïncent pas et qu'il n'y a pas de parties cassées ou endommagées qui pourraient entraver le bon fonctionnement de l'outil électroportatif. Faites réparer les parties endommagées avant d'utiliser l'outil électroportatif.** De nombreux accidents sont dus à un mauvais entretien des outils électroportatifs.
- f. **Maintenez les outils de coupe affûtés et propres.** Des outils de coupe entretenus avec soin dotés de bords de coupe affûtés se coïncent moins et sont plus faciles à utiliser.
- g. **Utilisez l'outil électroportatif, les outils, etc. en respectant ces instructions. Tenez compte des conditions de travail et de la tâche à effectuer.** L'utilisation des outils électroportatifs pour d'autres applications que celles prévues peut entraîner des situations dangereuses.
- h. **Veillez à ce que les poignées et surfaces des poignées soient sèches, propres et exemptes d'huile ou de graisse.** Des poignées et surfaces de poignées glissantes ne permettent pas une utilisation en toute sécurité ni un contrôle de l'outil électroportatif dans des situations imprévues.

5 UTILISATION ET TRAITEMENT DE L'OUTIL SANS FIL

- a. **Rechargez les batteries uniquement dans les chargeurs recommandés par le fabricant.** Un chargeur destiné à un certain type de batteries peut prendre feu s'il est utilisé avec d'autres batteries.
- b. **Utilisez uniquement les batteries prévues dans les outils électroportatifs.** L'utilisation d'autres batteries peut entraîner des blessures et un risque d'incendie.
- c. **Éloignez la batterie non utilisée des trombones, pièces de monnaie, clés, clous, vis ou tout autre objet métallique qui pourraient causer un pontage des contacts.** Un court-circuit entre les contacts de la batterie peut causer des brûlures ou un incendie.
- d. **En cas d'utilisation erronée, il est possible que du liquide s'écoule de la batterie. Éviter tout contact avec celui-ci. En cas de contact accidentel, rincer avec de l'eau. Si**

le liquide pénètre dans les yeux, consultez en plus un médecin. Le liquide s'écoulant de la batterie peut causer des irritations cutanées ou des brûlures.

- e. **N'utilisez pas de batterie endommagée ou modifiée.** Des batteries endommagées ou modifiées peuvent causer des réactions inattendues et provoquer un incendie, une explosion ou des blessures.
- f. **N'exposez pas une batterie au feu ou à des températures élevées.** Le feu ou des températures supérieures à 130 °C peuvent provoquer une explosion.
- g. **Suivez toutes les instructions pour le chargement et ne chargez jamais la batterie ou l'outil sans fil hors de la plage de température indiquée dans la notice d'utilisation.** Un chargement erroné ou hors de la plage de température autorisée peut détruire la batterie et augmenter le risque d'incendie.

6 SERVICE

- a. **Faites réparer votre outil électroportatif uniquement par un personnel qualifié ; les réparations doivent être effectuées avec des pièces d'origine uniquement,** afin de garantir la fiabilité de l'outil électroportatif.
- b. **N'entretenez jamais de batteries endommagées.** Seul le fabricant ou des ateliers de service après-vente agréés doivent réaliser l'ensemble de la maintenance des batteries.
- c. **Pour la réparation et l'entretien, n'utilisez que des pièces d'origine.** L'utilisation d'accessoires ou de pièces détachées non adaptés risque de provoquer une électrocution ou des blessures.

Respecter la notice d'utilisation du chargeur et de la batterie.

3.2 Consignes de sécurité spécifiques à l'appareil

- **Si l'outil monté pourrait entrer en contact avec des conduites électriques invisibles, tenez l'outil électroportatif à l'aide des poignées isolées.** Le contact avec un câble sous tension peut également mettre des pièces métalliques de l'appareil sous tension et provoquer une décharge électrique.
- **Fixez et bloquez la pièce sur un support stable au moyen de serre-joints ou d'autres accessoires.** Si vous maintenez la pièce uniquement avec la main ou la bloquez uniquement contre votre corps, elle reste

instable, ce qui peut conduire à une perte de contrôle.


- **Les outils électroportatifs Festool doivent uniquement être montés sur des tables de travail prévues à cette fin par Festool.** Le montage sur d'autres tables de travail ou des tables fabriquées par l'utilisateur peut compromettre la sécurité de fonctionnement de l'outil électroportatif et provoquer de graves accidents.
- **Attendez que l'outil électroportatif soit complètement immobilisé avant de le déposer.** L'outil monté peut s'accrocher et provoquer une perte de contrôle de l'outil électroportatif.
- Ne pas utiliser de lames de scie déformées, fendues ou présentant des taillants émoussés ou défectueux.
- Toujours appliquer la scie sauteuse sur la pièce une fois la lame de scie mise en marche.



- **Portez un équipement de protection individuelle approprié :** une protection auditive, des lunettes de protection, un masque anti-poussière lors des travaux impliquant un dégagement de poussière et des gants de protection dans le cas des matériaux rugueux et lors du changement d'outil.
- **Un dégagement de poussières nocives/toxiques est possible pendant l'utilisation de l'appareil (par ex. poussières de peintures au plomb ou de certaines essences de bois).** Le contact avec ces poussières ou leur inhalation peut présenter un danger pour la santé de l'utilisateur ou des personnes se trouvant à proximité. Veuillez respecter les prescriptions de sécurité en vigueur dans votre pays. Raccordez l'outil électroportatif à un dispositif d'aspiration approprié.
- Raccordez toujours l'appareil à un dispositif d'aspiration en cas de travaux impliquant un dégagement de poussière.
- **La lumière stroboscopique peut déclencher des crises d'épilepsie chez les personnes qui y sont prédisposées.** N'utilisez pas cette machine si vous avez cette prédisposition.
- Ne regardez pas en direction de la lumière stroboscopique. Regarder la source lumineuse peut provoquer des lésions oculaires.

- **Ne pas faire fonctionner l'outil électroportatif sans fil avec des blocs d'alimentation secteur ou avec des batteries d'autres fabricants. Ne pas utiliser de chargeurs d'autres fabricants pour recharger la batterie.** L'utilisation d'accessoires autres que ceux prévus par le fabricant peut provoquer une décharge électrique et/ou des accidents graves.

3.3 Travail de métaux


 Pour des raisons de sécurité, respectez les mesures suivantes lors de l'usinage de métal :

- Raccordez l'outil à un aspirateur approprié.
- Nettoyez régulièrement les dépôts de poussières accumulés dans le carter moteur.
- Utilisez une lame de scie pour métal.
- Fermez le protecteur contre les projections de copeaux.



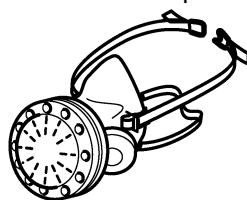
Portez des lunettes de protection !

3.4 La poussière, un risque pour la santé

 **AVERTISSEMENT!** certaines poussières créées par le ponçage mécanique, le sciage, le meulage, le perçage et autres activités reliées à la construction contiennent des substances chimiques connues (dans l'État de la Californie) comme pouvant causer le cancer, des anomalies congénitales ou représenter d'autres dangers pour la reproduction. Voici quelques exemples de telles substances:

- plomb provenant de peintures à base de plomb,
- silice cristallisée utilisée dans les briques, le ciment et autres matériaux de maçonnerie, et

- arsenic et chrome du bois d'oeuvre traité avec un produit chimique.



Le risque d'exposition à de tels produits varie selon la fréquence à laquelle vous faites ce genre de travail. Pour réduire les risques d'exposition à ces substances chimiques : travaillez dans un endroit adéquatement ventilé et utilisez un équipement de sécurité approuvé, tel que masques antipoussières spécialement conçus pour filtrer les particules microscopiques.



AVERTISSEMENT

POUR RÉDUIRE LE RISQUE DE DOMMAGES, L'UTILISATEUR DOIT LIRE LE MANUEL D'INSTRUCTION.

4 Utilisation en conformité avec les instructions

Les scies sauteuses sont conçues de façon conforme aux prescriptions pour le sciage de bois et de matériaux similaires. Avec les lames de scie spéciales proposées par Festool, vous pouvez également utiliser les machines pour le sciage de plastiques, d'acier, d'aluminium, d'alliages cuivre / zinc et de plaques en céramiques.



L'utilisateur est responsable des dommages provoqués par une utilisation non conforme.

L'outil électroportatif convient pour l'utilisation avec les batteries Festool de la série BP de catégorie de tension identique.

5 Caractéristiques techniques

Scie sauteuse sans fil	PSC 420 EB	PSBC 420 EB
Tension du moteur	10,8 - 18 V	
Cadence de coupe	1500-3800 min ⁻¹	1000-3800 min ⁻¹
Longueur de course	1.02" (26 mm)	
Course pendulaire	4 niveaux	
Position inclinée max. (uniquement avec accessoire table angulaire WT-PS 400)	45° des deux côtés	

Scie sauteuse sans fil		PSC 420 EB	PSBC 420 EB
Profondeur de coupe max. (en fonction de la lame de scie)	Bois	4-3/4" (120 mm)	
	Aluminium	6/8" (20 mm)	
	Acier	3/8" (10 mm)	
Poids sans batterie		4.0 lbs (1.8 kg)	
Poids correspond à la procédure EPTA 01:2014 (avec batterie BP 18 Li 6,2 AS)		5.5 lb (2,5 kg)	

6 Éléments de l'appareil

- [1-1] Protecteur contre les projections de copeaux
- [1-2] Interrupteur MARCHE/ARRÊT
- [1-3] Surfaces de préhension
- [1-4] Accélérateur (PSBC 420 EB uniquement)
- [1-6] Dispositif de marche forcée (PSBC 420 EB uniquement)
- [1-6] Molette de réglage de la cadence de coupe
- [1-7] Touches d'extraction de la batterie
- [1-8] Raccord d'aspiration
- [1-9] Levier de changement de la table de sciage
- [1-10] Éjecteur de lame de scie
- [1-11] Table de sciage interchangeable
- [1-12] Commutateur de course pendulaire
- [1-13] Semelle
- [1-14] Orifice d'éjection des copeaux
- [1-15] Touche témoin de charge de la batterie
- [1-16] Témoin de charge

Des éléments fournis sont disponibles sur le volet qui se trouve au début de cette notice d'utilisation. Vous pouvez ainsi déplier cette page et visualiser en permanence les différentes parties de l'outil lorsque vous lisez la notice. Les accessoires illustrés ou décrits ne font pas tous partie des éléments livrés.

7 Mise en service

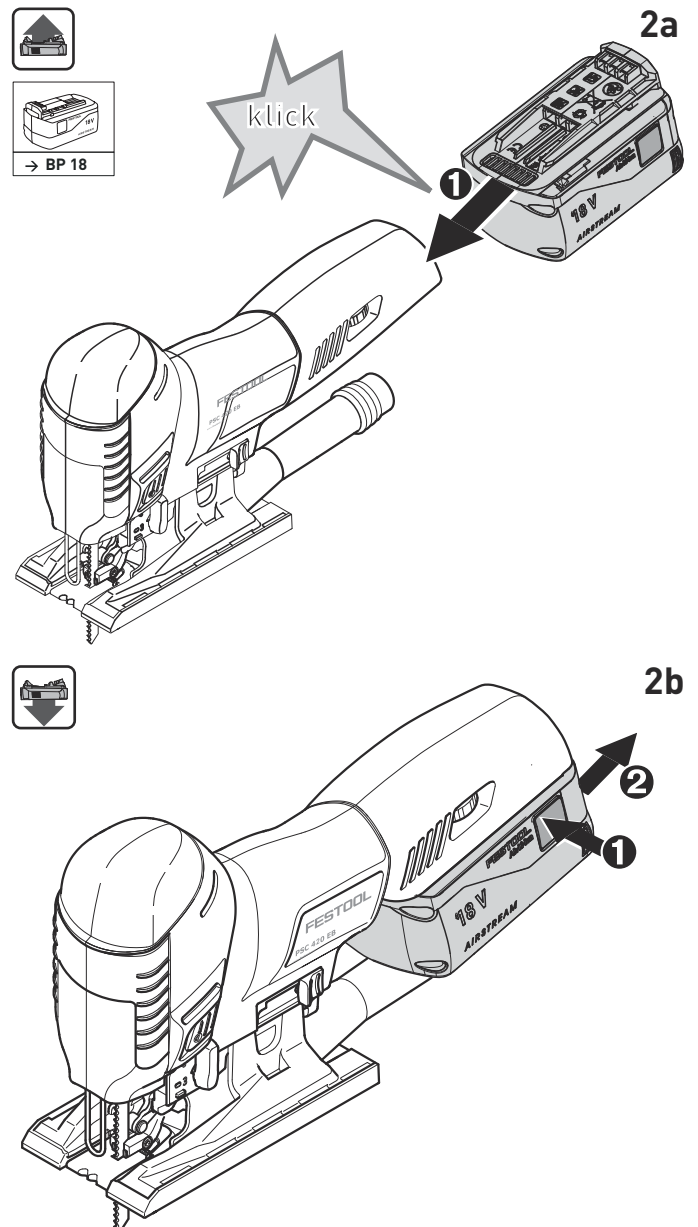
7.1 Mise en marche/à l'arrêt

L'outil électroportatif possède un interrupteur MARCHE/ARRÊT [1-2] des deux côtés.

La PSBC 420 EB dispose en supplément d'un accélérateur [1-4] avec dispositif de marche forcée [1-6]. Pour le fonctionnement continu, utilisez l'interrupteur [1-2].

8 Batterie



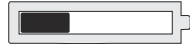
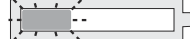
- ▶ Insérer la batterie [2a]
- ▶ Retirer la batterie [2b]



Risques de blessures ! Les batteries de la série BPC ne doivent être utilisées qu'après en avoir retiré le clip ceinture.

8.1 Affichage de capacité

L'affichage de capacité [1-16] indique à l'actionnement de la touche [1-15] le niveau de charge de la batterie pendant env. 2 s :

	70-100 %
	40-70 %
	15-40 %
	< 15 % *

* **Recommandation** : recharger la batterie avant de continuer à utiliser l'appareil.

i Vous trouverez des informations supplémentaires sur la batterie et le chargeur dans les notices d'utilisation de ces deux éléments.

9 Réglages

AVERTISSEMENT

Risques de blessures, choc électrique


- ▶ Retirez systématiquement les batteries de l'outil avant tous les travaux sur l'outil !

9.1 Changement d'outil


ATTENTION

Risque de blessures dû à l'outil chaud et tranchant

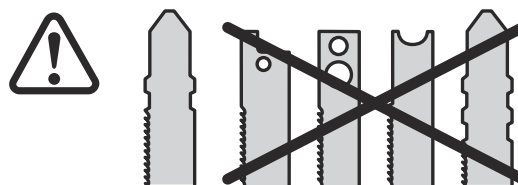
- ▶ Ne pas monter d'outils émoussés ou défectueux.
- ▶ Porter des gants de protection.

 Ne utiliser des lames de scie déformées ou fendues ainsi que des lames de scie avec des taillants émoussés ou défectueux.

Sélectionner la lame de scie

 Utilisez uniquement des lames de scie avec queue à une came (queue en T). La lame de scie ne doit pas être plus longue que nécessaire pour la coupe prévue. Afin de garantir un guidage sûr, la lame de scie doit sortir en bas de la pièce à chaque point lors de la coupe.

i Avec la table angulaire et la table adaptable, utilisez uniquement des lames de scies à denture alternée. Nous recommandons l'utilisation de la lame de scie Festool S 105/4 FSG.




Les lames de scie Festool destinées aux scies sauteuses ont un coloris spécifique. Le coloris correspond au matériau auquel convient la lame de scie.


Coloris	Matériau
Jaune	Bois
Rouge	Plastiques
Vert	Matériaux de construction
Bleu	Métal

Pour de plus amples informations, voir l'emballage, votre catalogue Festool ou www.festool.fr.

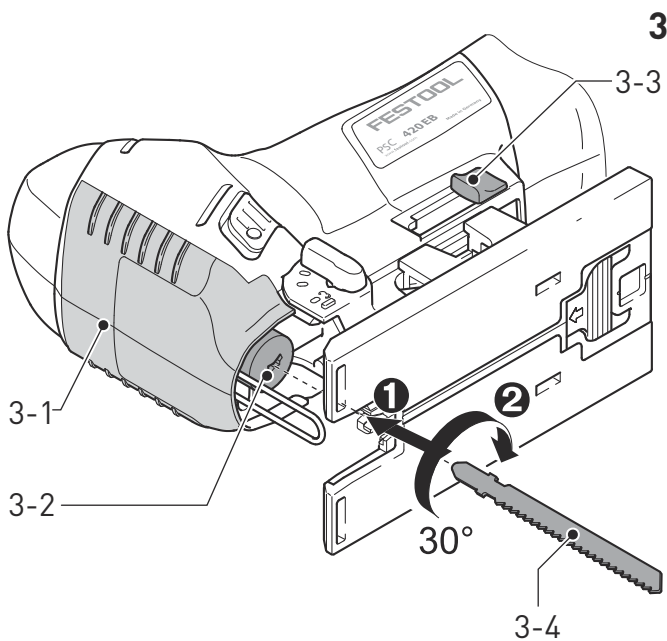
Montage de la lame de scie

 Avant le changement d'outil, débranchez toujours l'outil électroportatif de l'alimentation électrique !

- ▶ Relevez si nécessaire le protecteur contre les projections de copeaux [3-1].
- ▶ En orientant les dents dans le sens de coupe, introduisez la lame de scie [3-4] jusqu'en butée dans l'orifice [3-2].
- ▶ Tournez la lame de scie [3-4] d'env. 30° dans le sens horaire jusqu'à ce qu'elle se verrouille.

 Contrôlez la bonne fixation de la lame de scie. Une lame de scie mal fixée peut tomber et vous blesser.

i Dans le cas de lames de scie très courtes, il est recommandé de retirer la table de sciage (voir chapitre 9.4) avant de monter la lame de scie.



Régler le dispositif de guidage de lame après chaque changement de lame de scie

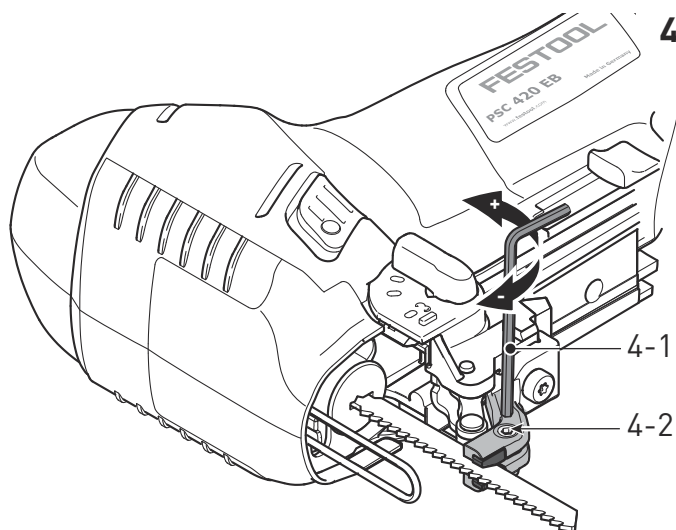
Le dispositif de guidage de lame sert à faciliter le déplacement de la lame de scie.

- ▶ Retirez la table de sciage (voir chapitre 9.4).
- ▶ Serrez la vis [4-2] avec la clé Allen [4-1] jusqu'à ce que les mâchoires se trouvent **pratiquement** contre la lame de scie.

AVIS

Endommagement de la machine et de la lame de scie

- ▶ Ne pas serrer trop fortement la vis [4-2] ! La lame de scie doit encore pouvoir se déplacer facilement.



Éjection de la lame de scie

ⓘ Lors de l'éjection de la lame de scie, maintenez l'outil électrique de manière à ce que la lame de scie éjectée ne risque pas de blesser des personnes ou des animaux.

- ▶ Poussez l'éjecteur de lame de scie [3-3] vers l'avant jusqu'en butée.

Un mécanisme éjecte la lame de scie.

ⓘ Le changement d'outil est uniquement possible à la position haute du porte-outil.

Si le changement de lame de scie n'est pas possible : faire tourner la scie sauteuse à vitesse élevée pendant 3 à 10 s. Actionner à nouveau l'éjecteur de lame de scie [3-3].

9.2 Utilisation du protecteur contre les projections de copeaux

Le protecteur contre les projections de copeaux [3-1] empêche la projection des copeaux et améliore l'efficacité de l'aspiration des copeaux.

- ▶ Poussez le protecteur contre les projections de copeaux [3-1] vers le bas, en exerçant une légère pression.

9.3 Montage du pare-éclats

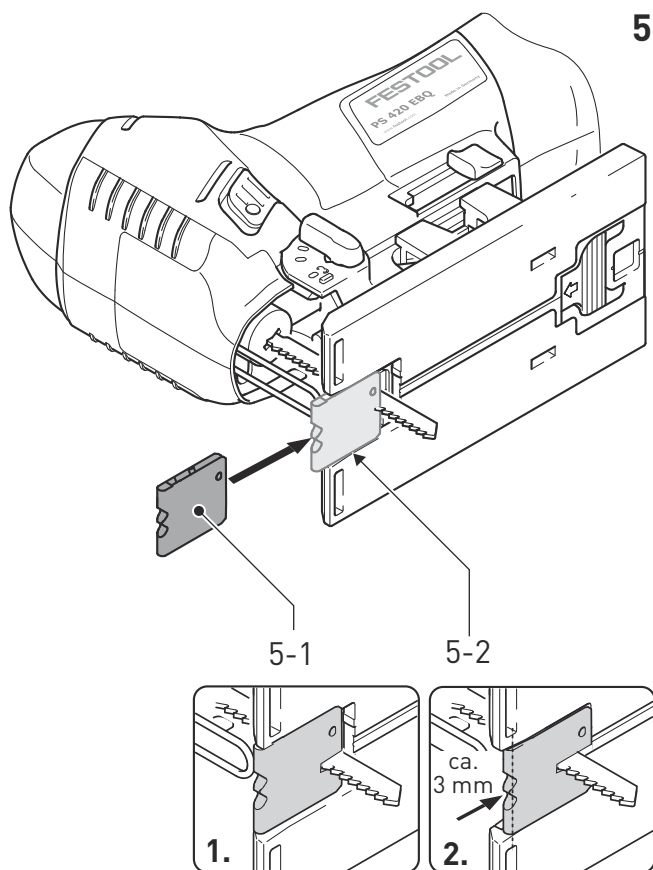
Le pare-éclats permet des découpes sans éclats sur le côté sortie de la lame de scie.

- ▶ La machine étant arrêtée, poussez le pare-éclats [5-1] sur le guide jusqu'à la lame de scie [5-2],
- ▶ mettez la scie sauteuse en marche,
- ▶ poussez le pare-éclats avec la machine en marche (Niveau de régime 5) au niveau d'une surface plane (**pas à la main**) jusqu'à ce qu'il soit à fleur avec le bord avant de la table de sciage. A cette occasion le pare-éclats est entaillé.

ⓘ Après l'usure, il est possible de continuer d'utiliser le pare-éclats en le poussant d'env. 1/8" (3 mm) supplémentaires vers l'arrière.

ⓘ Afin que le pare-éclats fonctionne de façon fiable, il doit se trouver des deux côtés très près de la lame de scie. Pour garantir des découpes sans éclats, un nouveau pare-éclats devrait être monté à chaque changement de lame de scie.

5



9.4 Remplacement de la table de sciage

- Ouvrez le levier [1-9].
- Retirez la table de sciage par le bas.

i Le montage s'effectue dans l'ordre inverse ! Assurez-vous que la table de sciage repose correctement dans le guide.

A la place de la table de sciage, il est possible de monter la table angulaire WT-PS 400 ou la table adaptable ADT-PS 400.

! Ne sciez jamais sans la table de sciage, ou l'une des tables proposées par Festool dans sa gamme d'accessoires.

9.5 Aspiration



AVERTISSEMENT

Risques pour la santé dus aux poussières

- Les poussières peuvent être dangereuses pour la santé. Pour cette raison, ne travaillez jamais sans aspiration.
- Respectez toujours les prescriptions nationales en vigueur lors de l'aspiration de poussières dangereuses pour la santé.

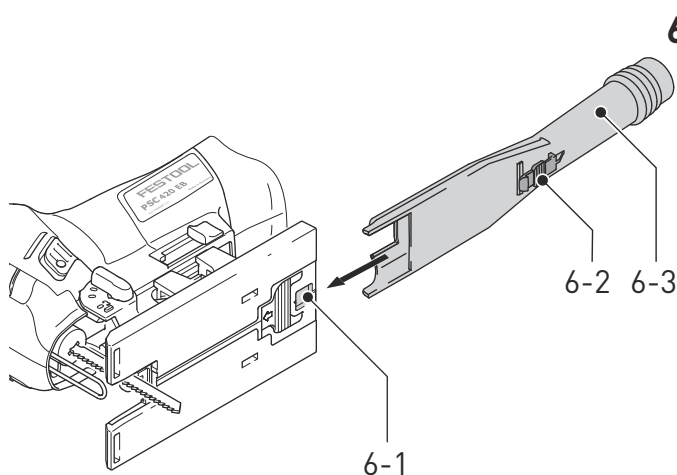
L'adaptateur d'aspiration [6-3] permet de raccorder les scies sauteuses à un aspirateur (diamètre de tuyau 1-1/16" [27 mm]).

- Insérez l'adaptateur d'aspiration dans l'ouverture arrière de la table de sciage, de ma-

nière à ce que le crochet [6-2] s'engage dans l'évidement [6-1].

- Pour retirer l'adaptateur d'aspiration, pressez le crochet [6-2].
- i** Du fait de la faible puissance absorbée de la machine (faible consommation d'énergie), les aspirateurs avec dispositif de mise en marche automatique s'enclenchent parfois seulement lors de la coupe effective.
- Pour certains cas d'application spéciaux (par ex. faible cadence de coupe, bois tendre), réglez l'aspirateur en mode de fonctionnement continu.

6



9.6 Réglage de la course pendulaire

Afin de pouvoir travailler différents matériaux avec une avance optimale, les scies sauteuses disposent d'une course pendulaire réglable. Le commutateur de course pendulaire [1-12] permet de choisir la position souhaitée :

- Position 0 = course pendulaire désactivée
- Position 3 = course pendulaire maximale

Réglage de course pendulaire recommandé

Bois tendres, panneaux de particules, panneaux de fibres de bois	1 - 3
Panneaux lattés, contreplaqué, matière plastique	1 - 2
Céramique	0
Aluminium, métaux non ferreux	0 - 2
Acier, bois durs	0 - 1

9.7 Régulation de la cadence de coupe

La cadence de coupe est réglable en continu avec la molette [1-6] entre 1500 et 3800 min⁻¹ (PSBC 420 EB : 1000 - 3800 min⁻¹). Vous pouvez ainsi adapter de façon optimale la vitesse de coupe à chaque matériau.

À la position **A**, la détection automatique de charge est activée : la cadence de coupe est réduite en marche à vide et réglée sur la valeur maximale lors de la pénétration dans la pièce.

Cadence de coupe recommandée (position de la molette)

Bois durs, bois tendres, panneaux latés, contreplaqué, panneaux de particules	A
Panneaux de fibres de bois	4 - A
Matière plastique	3 - A
Céramique, aluminium, métaux non ferreux	3 - 5
Acier	2 - 4

10 Utilisation de l'outil électroportatif



ATTENTION

Matériaux impliquant un dégagement de poussière important

Endommagement de l'appareil dû à la pénétration de poussière, risque de blessures

- ▶ Ne pas travailler les bras au-dessus de la tête.



AVERTISSEMENT

Risques de blessures

- ▶ Vérifiez que la lame est bien fixée avant de mettre la scie en marche.
- ▶ Il faut toujours approcher la scie de la pièce à scier avec la lame en marche.
- ▶ Arrêtez l'immobilisation complète de la machine électrique avant de la déposer. L'outil peut se bloquer et conduire à une perte de contrôle de la machine électrique.

Maintenez l'outil électrique par le biais de la poignée pendant le travail et guidez-le le long de la ligne de coupe souhaitée. Pour garantir des découpes précises et un fonctionnement sans à-coups, guidez l'outil électrique avec les deux mains.

10.1 Sciage libre sur tracé

Grâce à son extrémité triangulaire, le pare-éclats **[5-1]** indique la ligne de coupe de la lame de scie. Il facilite de ce fait le sciage sur tracé.

10.2 Eclairage



AVERTISSEMENT

La position de la lame de scie peut être mal perçue du fait de la lumière stroboscopique
Risques de blessures

- ▶ Veillez à un éclairage suffisant au poste de travail.

Une lumière continue / une lumière stroboscopique est intégrée pour éclairer la ligne de coupe :

jusqu'à env. 2 100 min⁻¹ : lumière continue

à partir d'env. 2 100 min⁻¹ : lumière stroboscopique

- ⓘ En position au-dessus de la tête (+/- 45°), l'éclairage est entièrement désactivé.

Vous pouvez au besoin adapter l'éclairage :

- ▶ Branchez l'outil électrique.
- ▶ Maintenez les deux boutons **[1-2]** pressés pendant env. 10 s jusqu'à ce qu'un bip se fasse entendre.
- ▶ Relâchez les deux boutons **[1-2]**.
- ▶ Pressez le bouton gauche (sur le côté de la course pendulaire) autant de fois que voulu afin de sélectionner le mode souhaité :

Mode	Affichage pendant le réglage	Comportement à l'utilisation
1	L'éclairage clignote	avec stroboscope (standard)
2	Éclairage allumé	Lumière continue sans stroboscope
3	Éclairage éteint	Éclairage désactivé

- ▶ Pressez le bouton droit pour mémoriser le réglage.

10.3 Signaux d'avertissement sonores

Des signaux d'avertissement sonores retentissent lors des états de fonctionnement suivants et la machine s'arrête :



peep — —

Batterie déchargée ou machine surchargée.

- Remplacez la batterie.
- Réduisez la charge de la machine.



peep peep —

La machine est surchauffée.

- Après refroidissement, vous pouvez remettre la machine en marche.



peep peep peep

La batterie Li-ion est surchauffée ou défectueuse.

- Contrôlez sa capacité de fonctionnement avec le chargeur, avec la batterie refroidie.

11 Entretien et maintenance



AVERTISSEMENT

Risques de blessures, choc électrique

- Retirez systématiquement la batterie de la machine avant tous les travaux de maintenance et d'entretien !



AVERTISSEMENT

Tout travail de maintenance ou de réparation, qui nécessite l'ouverture du moteur ou du carter d'engrenages doit uniquement être effectué par un centre service-client autorisé (nom fourni par votre revendeur) !

- Les travaux de maintenance ou de réparation effectués par un personnel non autorisé peuvent conduire à la mauvaise connexion de câbles d'alimentation ou d'autres composants, ce qui peut entraîner à son tour des accidents avec des conséquences graves.



ATTENTION

Certains produits nettoyants et solvants sont nocifs pour les pièces en plastique.

- Quelques exemples de produit nocif : essence, acétone, méthyléthylcétone (MEK), chlorure de carbonyle, solutions nettoyantes contenant du chlore, de l'ammoniac et les produits ménagers contenant de l'ammoniac.



Service après-vente et réparation uniquement par le fabricant ou des ateliers homologués. Pour trouver l'adresse la plus proche : www.festoolusa.com/service



Utiliser uniquement des pièces détachées Festool d'origine ! Réf. sur : www.festoolusa.com/service

11.1 Respecter les consignes suivantes

- Contrôlez régulièrement l'état d'usure du galet de guidage.
- Nettoyez régulièrement les dépôts de poussières sur le capot de protection contre les projections de copeaux.
- Nettoyez régulièrement la semelle, afin d'éviter des rayures et des stries sur la surface.
- Sauf indication contraire dans la notice d'utilisation, les dispositifs de protection et pièces endommagés doivent être réparés ou remplacés dans les règles de l'art par un atelier spécialisé agréé.
- Pour assurer la circulation de l'air, il est impératif que les ouïes de ventilation du carter moteur soient maintenues dégagées et propres.
- Veiller à ce que les contacts de branchement sur l'outil électroportatif, le chargeur et la batterie restent propres.
- Vérifier que les avertissements figurant sur l'outil électroportatif sont lisibles et au complet. Remplacer les avertissements manquants ou illisibles.

11.2 Nettoyage de l'orifice d'éjection des copeaux

Nettoyez régulièrement l'orifice d'éjection des copeaux **[1-14]** afin d'éviter une obstruction :

- Retirez le protecteur contre les projections de copeaux,
- nettoyez l'orifice d'éjection des copeaux avec un pinceau ou à l'aspirateur,
- remontez le protecteur contre les projections de copeaux.

Vérifier que les avertissements figurant sur l'outil électroportatif sont lisibles et au complet. Remplacer les avertissements manquants ou illisibles.

12 Accessoires



AVERTISSEMENT

Risque de blessures

- Retirer la batterie de l'outil électroportatif avant toute intervention sur ce dernier.

Utilisez uniquement les accessoires Festool et consommables Festool d'origine prévus pour cette machine, car ces composants systèmes sont parfaitement adaptés les uns par rapport aux autres. Si vous utilisez des accessoires et consommables d'autres marques, la qualité du résultat peut être dégradée et les recours en garantie peuvent être soumis à des restrictions. L'usure de la machine ou votre charge personnelle peuvent augmenter selon chaque application. Pour cette raison, protégez-vous, votre machine et vos droits à la garantie en utilisant exclusivement des accessoires Festool et des consommables Festool d'origine !

Les références des accessoires et des outils figurent dans le catalogue Festool ou sur Internet sous "www.festoolusa.com".

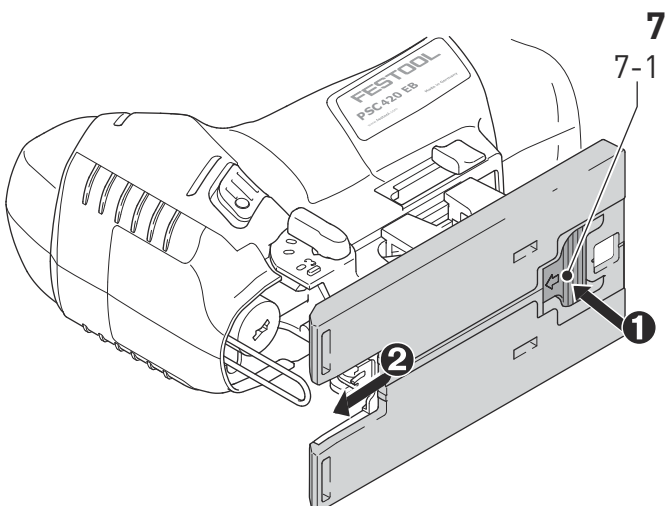
12.1 Lames de scie, autres accessoires

Afin de pouvoir découper rapidement et proprement différents matériaux, Festool vous propose pour tous les cas d'utilisation des lames de scie spécialement adaptées à votre scie sauteuse Festool.

12.2 Sciage avec semelles spéciales

Les semelles spéciales protègent les surfaces de qualité contre les rayures et les stries.

- Pressez la semelle au niveau de la position [7-1].
- Poussez simultanément la semelle vers l'avant.
- Montez une autre semelle et poussez-la vers l'arrière, jusqu'à ce qu'elle s'enclenche.



12.3 Sciage avec la table angulaire



La table angulaire WT-PS 400 permet le sciage d'angles intérieurs et d'angles extérieurs jusqu'à 45°, ainsi que de tubes.

Aucune aspiration n'est possible lors du sciage avec la table angulaire !

Montage de la table angulaire

- Retirez la table de sciage [1-11] (voir chapitre 9.4).
- Montez la table angulaire sur le support de table de la scie.
- Fermez le levier [1-9].

Assurez-vous que la table angulaire repose correctement dans le guide.

Réglage de l'angle

- Tournez la molette [8-1] pour régler l'angle souhaité.

Vous pouvez régler les valeurs -45°, 0° et +45° à l'aide de l'échelle [8-2].



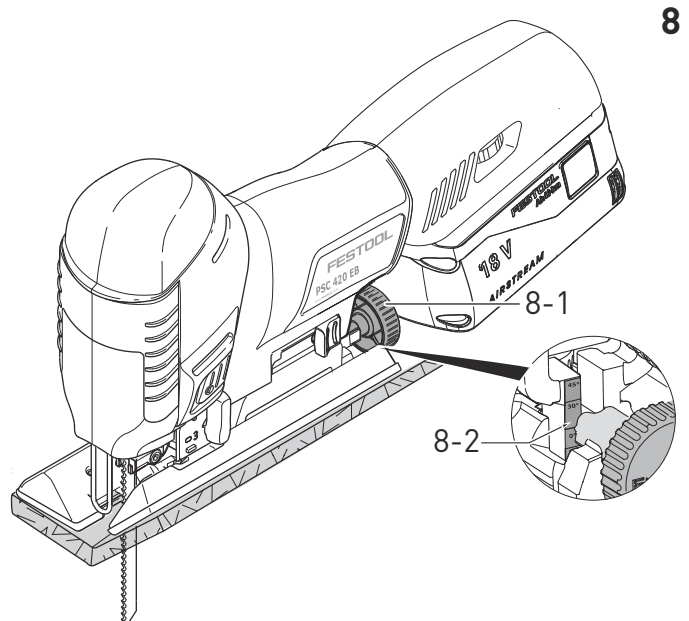
AVERTISSEMENT

Sciage, profondeurs de coupe

Risques de blessures

- Sélectionnez la longueur de lame de scie et la profondeur de coupe de manière à ce que la lame de scie reste systématiquement plongée dans la pièce.

- ⓘ En cas de coupes à 0°, nous recommandons de régler la table angulaire sur une valeur légèrement négative, afin de garantir un fonctionnement stable.



8

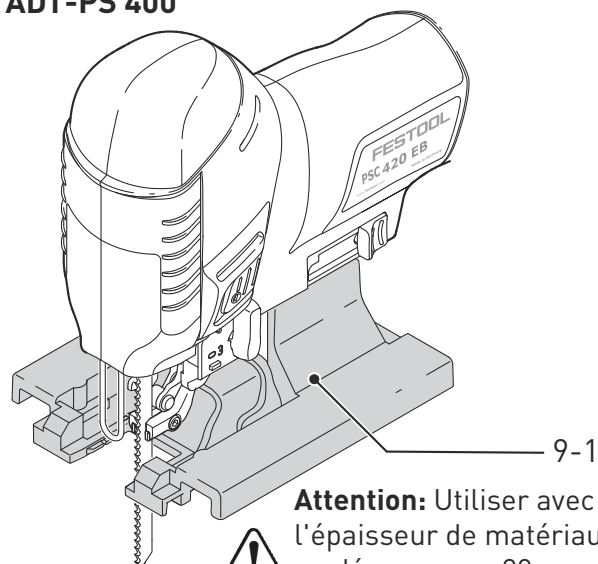
12.4 Sciage avec la table adaptable

La table adaptable ADT-PS 400 permet de fixer votre scie sauteuse sur le rail de guidage Festool et sur le compas KS-PS 400.

! Avec rail de guidage et compas : respecter l'épaisseur de matériau max. de 6/8" (20 mm) et utiliser uniquement des lames de scie à denture alternée (FSG).

ADT-PS 400

9



Attention: Utiliser avec l'épaisseur de matériau max. ne dépasse pas 20 mm et n'utilisez que des lames de scie croisées (FSG).

Montage de la table adaptable

- ▶ Retirez la table de sciage [1-11] (voir chapitre 9.4).
- ▶ Montez la table adaptable [9-1] sur le support de table de la scie.
- ▶ Fermez le levier de changement [1-9].

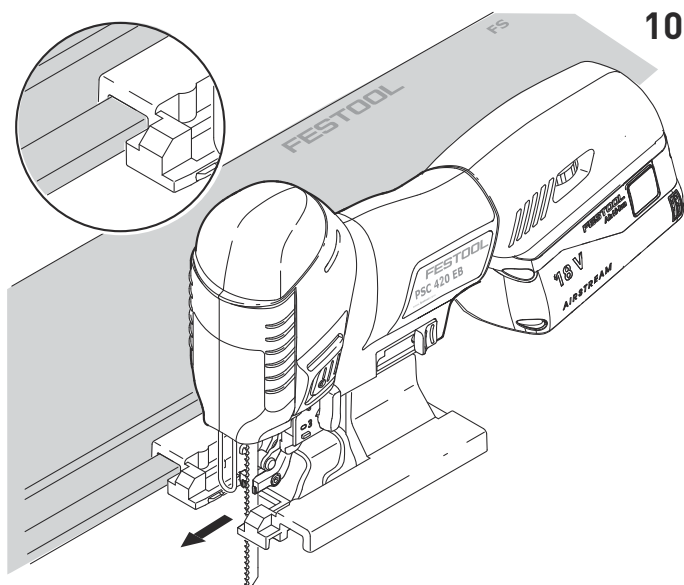
Assurez-vous que la table adaptable repose solidement dans le guide.

i Utilisez également le raccord d'aspiration [1-8] avec la table adaptable.

Adaptation au rail de guidage FS 2

L'utilisation du système de guidage Festool FS 2 (image [10]) vous facilite la réalisation de coupes rectilignes et précises.

- ▶ Montez la scie sauteuse avec la table adaptatrice [9-1] fixée sur le rail de guidage.



Adaptation au compas

Le compas permet de réaliser des découpes circulaires d'un diamètre compris entre 4-3/4" et 118-1/8" (120 et 3000 mm). Le compas peut être monté des deux côtés sur la table adaptable.

- ▶ Placez la scie sauteuse et la table adaptable sur l'adaptateur [11-1] du compas.
- ▶ Insérez le mandrin de centrage [11-2] dans l'orifice [11-4] du compas situé dans l'alignement de la lame de scie.
- ▶ Bloquez le mètre sur le compas à l'aide du bouton rotatif [11-5].

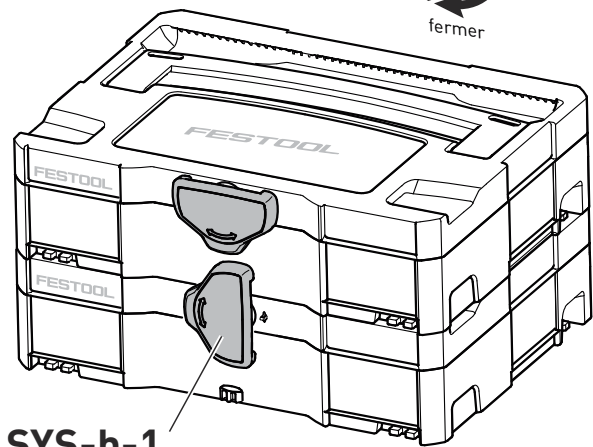
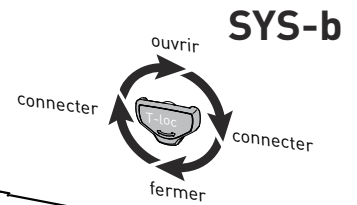
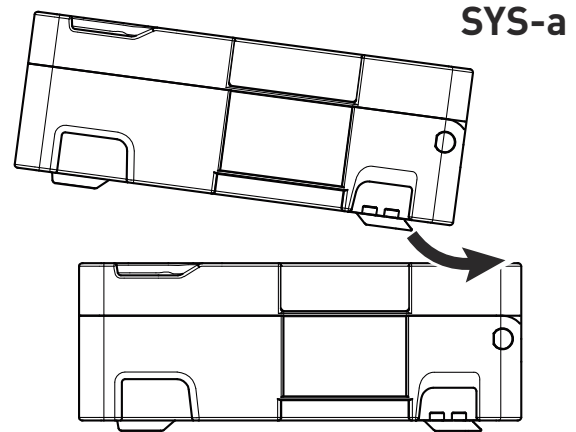
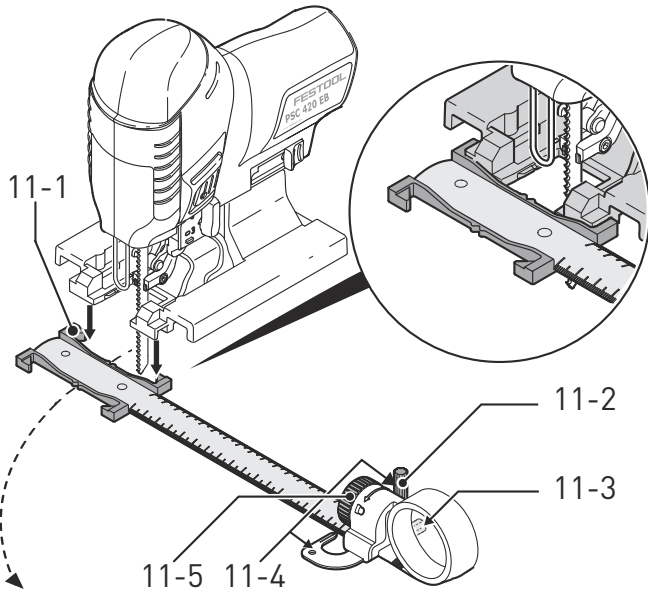
Réglages recommandés pour le sciage avec le compas :

- ▶ Sciez dans le sens antihoraire.
- ▶ Sciez avec une avance lente.
- ▶ Réglez la course pendulaire [1-12] sur 0 - 1.
- ▶ Réglez la cadence de coupe [1-6] sur 1 - 5.

i Conservez le mandrin de centrage dans le logement [11-3].

KS-PS 400

11

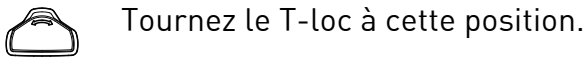


12.5 SYSTAINER

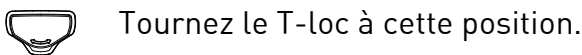
Systainer

De nombreux produits Festool sont fournis dans une caisse exclusive, appelée "Systainer". Celle-ci permet de protéger et de ranger des outils et des appareils complémentaires. Les Systainer sont empilables et peuvent être solidarisés. En outre, il se fixent sur les aspirateurs CT Festool.

Pour ouvrir le Systainer

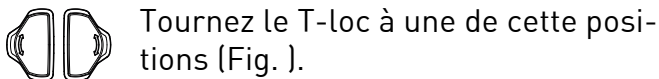


Pour fermer le Systainer



Pour connecter deux Systainers

Placez un Systainer au dessus de l'autre .



Les Systainers sont combinés.

- ① Un Systainer de la nouvelle génération peut être attaché au dessus d' un Systainer de l'ancienne génération par les quatre loquets de l'ancien Systainer.

13 Environnement

Ne jetez pas l'appareil avec les ordures ménagères ! Eliminez l'appareil, les accessoires et les emballages de façon compatible avec l'environnement. Respectez les prescriptions nationales en vigueur.

Mise au rebut des batteries



AVERTISSEMENT

Risque d'incendie ou de blessures

- ▶ Ne tentez pas de désassembler la batterie ou d'enlever tout composant faisant saillie des bornes de batterie.
- ▶ Avant la mise au rebut, protégez les bornes exposées à l'aide d'un ruban isolant épais pour prévenir le court-circuitage.



Le sceau RBRC™ (Rechargeable Battery Recycling Corporation), que se trouve sur les batteries au nickel-cadmium (NiCd), nickel-hydr-

re métallique (NiMH) ou au lithium-ion (Lilon) indique que Festool participe volontairement à une programme industriel de ramassage et de recyclage de ces batteries au terme de leur vie utile, pourvu qu'elles soient mise hors service aux États-Unis ou au Canada. Dans certaines régions, il est illégal placer de batteries usées à la poubelle ou au ramassage d'ordures municipal, et RBRC programme offre une alternative respectueuse de l'environnement.

S'il vous plaît appeler 1-800-822-8837 pour obtenir des renseignements sur les interdictions de recyclage des batteries et l'élimination/restrictions dans votre région ou renvoyez vos batteries à un Centre de Service Festool pour recyclage. Aidez à protéger notre environnement et préserver les ressources naturelles!

14 Remarques générales


14.1 Bluetooth®

La marque verbale Bluetooth® et les logos sont des marques déposées de Bluetooth SIG, Inc. et sont utilisés sous licence par TTS Tooltechnic Systems AG & Co. KG et donc par Festool GmbH.

Índice de contenidos

1	Símbolos.....	35
2	Sobre este manual.....	35
3	Indicaciones de seguridad.....	36
4	Uso conforme a lo previsto.....	39
5	Datos técnicos.....	39
6	Componentes de la herramienta.....	40
7	Puesta en servicio.....	40
8	Batería.....	40
9	Ajustes.....	41
10	Trabajo con la herramienta eléctrica.....	43
11	Mantenimiento y cuidado.....	44
12	Accesorios.....	45
13	Medio ambiente.....	48
14	Observaciones generales.....	48

1 Símbolos

-  Aviso de peligro general
-  Peligro de electrocución
-  ¡Leer el manual de instrucciones y las indicaciones de seguridad!
-  Utilizar protección respiratoria.
-  Usar protección para los oídos
-  Utilizar gafas de protección
-  Utilizar guantes de protección
-  Insertar la batería
-  Soltar la batería
-  Consejo, indicación
 - Handlungsanweisung
- V voltios
- A amperios
- Hz hertzios
- ~ tensión alterna
- d.c tensión continua

- n_0 revoluciones por minuto en vacío
- " pulgada
- lb. libras
- \varnothing diámetro
- Nm Newton metro
- mm milímetro
- ° grado angular






PRECAUCIÓN Para uso solamente con las baterías FESTOOL BP 18

2 Sobre este manual

Guarde estas instrucciones

Es importante que usted lea y entienda este manual. La información que contiene se relaciona con la protección de **su seguridad** y la **prevención de problemas**. Los símbolos que siguen se utilizan para ayudarlo a reconocer esta información.

	PELIGRO	Descripción de peligro inminente y fracaso para evitar riesgos que podran causar la muerte.
	ADVERTENCIA	Descripción de peligro y posibles lesiones resultantes o la muerte.
	PRECAUCIÓN	Descripción de peligro y posibles lesiones resultantes.
	AVISO	Descripción de los posibles daños en el dispositivo o en su entorno.

3 Indicaciones de seguridad

3.1 Instrucciones generales de seguridad para herramientas eléctricas



¡ADVERTENCIA! Leer todas las indicaciones de seguridad, instrucciones, ilustraciones y datos técnicos que acompañan a esta herramienta eléctrica. Si no se cumplen debidamente las instrucciones siguientes, puede producirse una descarga eléctrica, quemaduras o lesiones graves.

Guarde todas las indicaciones de seguridad e instrucciones para que sirvan de futura referencia.

El término «herramienta eléctrica» empleado en las indicaciones de seguridad hace referencia a herramientas eléctricas conectadas a la red eléctrica (con un cable de red) o a herramientas eléctricas alimentadas con batería (sin cable de red).

1 SEGURIDAD EN EL LUGAR DE TRABAJO

- Mantenga su zona de trabajo limpia y bien iluminada.** El desorden o la falta de iluminación en las zonas de trabajo pueden dar lugar a accidentes.
- No trabaje con la herramienta eléctrica en entornos potencialmente explosivos donde se encuentren líquidos, gases o polvos inflamables.** Las herramientas eléctricas producen chispas que pueden inflamar el polvo o los vapores.
- Mantenga a los niños y otras personas alejados de la herramienta eléctrica durante el uso.** Si se distrae, puede perder el control de la herramienta.

2 SEGURIDAD ELÉCTRICA

- El conector de la herramienta eléctrica debe encajar en el enchufe. El conector no debe modificarse en modo alguno. No utilice conectores adaptadores con herramientas eléctricas con puesta a tierra.** Unos conectores intactos y unos enchufes adecuados reducen el riesgo de descarga eléctrica.
- Evite el contacto físico con superficies con puesta a tierra como las de tuberías, calefacciones, cocinas y frigoríficos.** Existe un riesgo elevado de descarga eléctrica si su cuerpo está en contacto con la tierra.
- Mantenga las herramientas eléctricas lejos de la lluvia y la humedad.** La penetración de agua en una herramienta eléctrica aumenta el riesgo de descarga eléctrica.

- No utilice el cable de conexión para transportar o colgar la herramienta eléctrica ni para extraer el conector del enchufe. Mantenga el cable de conexión alejado del calor, aceite, cantos afilados o piezas en movimiento.** Los cables de conexión dañados o enredados aumentan el riesgo de descarga eléctrica.
- Si trabaja con una herramienta eléctrica al aire libre, utilice únicamente alargadores aptos para el uso en exteriores.** El empleo de alargadores aptos para el uso en exteriores reduce el riesgo de descarga eléctrica.
- Cuando sea inevitable el uso de la herramienta eléctrica en un entorno húmedo, utilice un interruptor diferencial.** El uso de un interruptor diferencial reduce el riesgo de que se produzca una descarga eléctrica.

3 SEGURIDAD DE LAS PERSONAS

- Sea cuidadoso, preste atención a lo que está haciendo y actúe con prudencia al trabajar con herramientas eléctricas. No utilice ninguna herramienta eléctrica si está cansado o bajo los efectos de drogas, alcohol o medicamentos.** Una mínima distracción mientras está utilizando la herramienta eléctrica puede ocasionarle graves lesiones.
- Lleve puesto el equipamiento de protección personal y utilice gafas de protección en todo momento.** El empleo del equipamiento de protección personal como p. ej. mascarilla, guantes de seguridad antideslizantes, casco o protección de oídos, según el tipo y la aplicación de la herramienta eléctrica, reduce el riesgo de lesiones.
- Evite un arranque accidental de la herramienta. Asegúrese de que está desconectada antes de conectarla al suministro de corriente o la batería, recogerla o transportarla.** Existe peligro de accidente si transporta la herramienta eléctrica con el dedo sobre el interruptor o si conecta la herramienta encendida a la red.
- Retire las herramientas de ajuste y las llaves de tornillos antes de conectar la herramienta eléctrica.** Si una herramienta o llave se encuentra en una pieza en movimiento de la herramienta eléctrica, pueden producirse lesiones.
- Evite una postura anormal del cuerpo. Procure un apoyo seguro y mantenga el equilibrio en todo momento.** De esta ma-

- nera podrá controlar mejor la herramienta eléctrica en situaciones inesperadas.
- f. **Utilice ropa adecuada. No utilice ropa ancha ni objetos de joyería o bisutería. Mantenga el pelo y la ropa alejados de las piezas en movimiento.** La ropa holgada o el pelo largo pueden quedar atrapados por piezas en movimiento.
 - g. **Si se montan dispositivos de aspiración o recogida de polvo, estos deberán conectarse y utilizarse correctamente.** El empleo de un sistema de aspiración del polvo puede disminuir los peligros a causa del polvo.
 - h. **No se cree un falso sentido de la seguridad ni ignore las normas de seguridad de las herramientas eléctricas, ni siquiera si está muy familiarizado con el uso de la herramienta.** Una distracción durante el manejo puede derivar en graves lesiones en cuestión de pocas fracciones de segundo.

4 USO Y MANEJO DE LA HERRAMIENTA ELÉCTRICA

- a. **No sobrecargue la herramienta eléctrica. Utilice la herramienta eléctrica adecuada para el trabajo que va a realizar.** Con la herramienta apropiada trabajará mejor y más seguro en el rango de potencia especificado.
- b. **No utilice ninguna herramienta eléctrica cuyo interruptor esté defectuoso.** Una herramienta eléctrica que no se pueda conectar o desconectar resulta peligrosa y es necesario repararla.
- c. **Extraiga el conector del enchufe o retire la batería extraíble antes de efectuar los ajustes de la herramienta, cambiar piezas o guardar la herramienta eléctrica.** Esta medida de seguridad impide el arranque accidental de la herramienta eléctrica.
- d. **Mantenga las herramientas eléctricas que no esté utilizando fuera del alcance de los niños. No permita que la herramienta eléctrica sea utilizada por personas que no estén familiarizadas con ella o no hayan leído las presentes indicaciones.** Las herramientas eléctricas en manos inexpertas pueden ser peligrosas.
- e. **Trate las herramientas eléctricas y las herramientas intercambiables con cuidado. Compruebe si las partes móviles funcionan correctamente y no se atascan, y si hay piezas rotas o tan deterioradas que podrían mermar el funcionamiento de la**

herramienta eléctrica. Haga reparar las piezas deterioradas antes de usar la herramienta eléctrica. Muchos accidentes tienen su origen en un mantenimiento deficiente de las herramientas eléctricas.

- f. **Mantenga las herramientas cortantes limpias y afiladas.** Las herramientas cortantes bien cuidadas con aristas de corte afiladas se atascan menos y se guían más fácilmente.
- g. **Utilice la herramienta eléctrica, las herramientas intercambiables, etc., de acuerdo con estas instrucciones. Para ello, tenga en cuenta las condiciones de trabajo y la actividad que debe realizar.** El uso de herramientas eléctricas en aplicaciones diferentes a las previstas puede dar lugar a situaciones peligrosas.
- h. **Mantenga las superficies de agarre y los mangos secos, limpios y libres de aceite y grasa.** Un mango o unas superficies de agarre resbaladizos no permiten un manejo y control seguros de la herramienta eléctrica en situaciones imprevistas.

5 USO Y MANEJO DE LA HERRAMIENTA A BATERÍA

- a. **Las baterías deben cargarse exclusivamente en cargadores recomendados por el fabricante.** Existe riesgo de incendio si un cargador apto para un determinado tipo de batería se utiliza con otras baterías.
- b. **Utilice solo las baterías previstas en las herramientas eléctricas en cuestión.** El uso de otras baterías puede provocar lesiones y riesgo de incendio.
- c. **Mantenga la batería que no utilice alejada de clips, monedas, llaves, clavos, tornillos o cualquier otro objeto metálico pequeño que pueda provocar el puenteo de los contactos.** Un cortocircuito entre los contactos de la batería puede causar quemaduras o fuego.
- d. **Si la batería se utiliza incorrectamente, pueden producirse fugas de líquido. Evite el contacto con este líquido. En caso de contacto accidental, enjuague con agua. Si el líquido entra en contacto con los ojos, busque además asistencia médica.** El líquido derramado de la batería puede causar irritaciones en la piel o quemaduras.
- e. **No utilice baterías dañadas o modificadas.** Una batería dañada o modificada puede presentar un comportamiento imprevisible

y producir fuego o explosiones o entrañar peligro de lesiones.

- f. **No exponga las baterías al fuego ni a altas temperaturas.** El fuego o una temperatura por encima de 130 °C puede originar una explosión.
- g. **Siga todas las instrucciones para la carga y no cargue la batería ni la herramienta a batería fuera del rango de temperatura especificado en el manual de instrucciones.** Una carga incorrecta o fuera del rango de temperatura permitido puede dañar la batería e incrementar el peligro de incendio.

6 SERVICIO

- a. **Encargue la reparación de su herramienta eléctrica únicamente a personal técnico cualificado y solo con piezas de recambio originales.** De esta forma queda garantizada la seguridad de la herramienta eléctrica.
- b. **Nunca realice trabajos de mantenimiento en una batería dañada.** Únicamente el fabricante o los centros autorizados del Servicio de Atención al Cliente pueden llevar a cabo los trabajos de mantenimiento de las baterías.
- c. **Utilice exclusivamente piezas originales para la reparación y el mantenimiento de la herramienta.** El uso de accesorios o piezas de recambio no previstos puede producir descargas eléctricas o lesiones.

Tenga en cuenta el manual de instrucciones del cargador y de la batería.

3.2 Indicaciones de seguridad específicas

- **La herramienta eléctrica debe sujetarse por las superficies de agarre aisladas cuando se lleven a cabo trabajos en los que la herramienta de corte pudiera entrar en contacto con cables eléctricos ocultos.** El contacto con una conducción de corriente puede poner bajo tensión las piezas metálicas de la máquina y provocar una descarga eléctrica.
- **Fijar y asegurar la pieza de trabajo a una base estable por medio de mordazas o un dispositivo similar.** Si se sostiene la pieza de trabajo únicamente con la mano o la apoya contra el cuerpo, aumentará su inestabilidad, así como el riesgo de perder el control sobre la pieza.
- **Las herramientas eléctricas Festool solo pueden montarse en mesas de trabajo suministradas por Festool para dicho fin.** El

montaje en mesas de trabajo de otras marcas o de fabricación propia puede mermar la seguridad de la herramienta eléctrica y provocar accidentes graves.

- **Esperar a que la herramienta eléctrica esté completamente parada antes de guardarla.** La herramienta podría engancharse, lo que podría causar la pérdida de control de la herramienta eléctrica.
- No utilice hojas de sierra deformadas o agrietadas ni hojas que presenten cuchillas defectuosas o sin filo.
- La caladora debe colocarse en la pieza de trabajo siempre con la hoja de sierra en marcha.



- **Es imprescindible utilizar los equipos de protección personal adecuados:** protección para los oídos, gafas de protección, mascarilla para los trabajos que generan polvo, guantes de protección al trabajar con materiales rugosos y para cambiar de útil.
- **Al trabajar puede generarse polvo perjudicial/tóxico (p. ej., de pintura de plomo y de algunos tipos de madera).** El contacto o la inhalación de este polvo pueden suponer una amenaza para la persona que realiza el trabajo o para aquellas que se encuentren cerca. Observe las normativas de seguridad vigentes en su país. Conecte la herramienta eléctrica a un equipo de aspiración apropiado.
- Conectar siempre la herramienta a un equipo de aspiración cuando se realicen trabajos que generen polvo.
- **La luz estroboscópica puede provocar ataques epilépticos en personas con predisposición a ello.** No utilice la máquina si tiene este tipo de predisposición.
- No mire a la luz estroboscópica. Mirar a la fuente de luz puede dañar la vista.
- **No utilizar fuentes de alimentación o baterías de otro fabricante con la herramienta eléctrica de batería. No utilizar cargadores de otro fabricante para cargar la batería.** El uso de accesorios no previstos por el fabricante puede provocar una descarga eléctrica o accidentes graves.

3.3 Tratamiento de metales



Al trabajar con metal deberá tener presente las siguientes medidas por motivos de seguridad:

- Conecte la máquina a un equipo de aspiración apropiado.
- Limpie regularmente el polvo que se acumula en la carcasa del motor de la máquina.
- Utilice una hoja de sierra de metal.
- Cierre la protección contra la proyección de virutas.



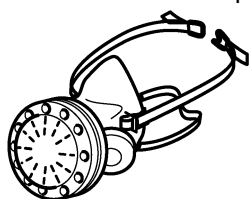
¡Utilizar gafas de protección!

3.4 Riesgos para la salud producidos por el polvo



ADVERTENCIA! algunos polvos creados por lijadoras motorizadas, aserraderos, trituradores, perforadoras y otras actividades de construcción contienen sustancias químicas que se sabe (en el Estado de California) causan cáncer, defectos de nacimiento u otros daños al sistema reproductivo. Algunos ejemplos de estas sustancias químicas son:

- Plomo de las pinturas con base de plomo,
- Sílice cristalino de los ladrillos y cemento y otros productos de mampostería, y
- Arsénico y cromo de madera tratada con sustancias químicas.



5 Datos técnicos

Caladora a batería	PSC 420 EB	PSBC 420 EB
Tensión del motor	10,8-18 V	
Número de carreras	1500–3800 min ⁻¹	1000–3800 min ⁻¹
Longitud de carrera	1.02" (26 mm)	
Movimiento pendular	4 niveles	
Inclinación máx. (solo con el accesorio de mesa angular WT-PS 400)	45° hacia ambos lados	
Profundidad de corte máx. (según la hoja de sierra)	Madera	4-3/4" (120 mm)
	Aluminio	6/8" (20 mm)
	Acero	3/8" (10 mm)
Peso sin batería	4.0 lbs (1.8 kg)	
Peso conforme al procedimiento EPTA 01:2014 (con batería BP 18 Li 6,2 AS)	5.5 lb (2,5 kg)	

El riesgo de exposición a estas sustancias varía, dependiendo de cuantas veces se hace este tipo de trabajo. Para reducir el contacto con estas sustancias químicas: trabaje en un área con buena ventilación y trabaje con equipo de seguridad aprobado, como mascarillas para el polvo diseñadas específicamente para filtrar partículas microscópicas.



ADVERTENCIA

PARA REDUCIR EL RIESGO DE LESIÓN, EL USUARIO DEBE LEER EL MANUAL DE INSTRUCCIÓN.

4 Uso conforme a lo previsto

Las caladoras están diseñadas para serrar madera y materiales derivados de la madera. Con las hojas de sierra especiales de Festool, estas máquinas también pueden utilizarse para serrar plástico, acero, aluminio, metales no ferreos y cerámica.



El usuario será responsable de cualquier utilización indebida.

La herramienta eléctrica es apta para el uso con las baterías Festool de la serie BP de la misma clase de tensión.

6 Componentes de la herramienta

- [1-1] Protección contra el vuelo de virutas
- [1-2] Interruptor de conexión y desconexión
- [1-3] Superficies de agarre
- [1-4] Interruptor acelerador (solo PSBC 420 EB)
- [1-6] Bloqueo de conexión (solo PSBC 420 EB)
- [1-6] Rueda de ajuste para la regulación del número de carreras
- [1-7] Teclas para soltar la batería
- [1-8] Racor de aspiración
- [1-9] Palanca de cambio de la mesa de serrar
- [1-10] Expulsión de la hoja de sierra
- [1-11] Mesa de serrar intercambiable
- [1-12] Interruptor de carrera pendular
- [1-13] Banda de rodadura
- [1-14] Orificio de expulsión de virutas
- [1-15] Tecla de indicación de la capacidad en la batería
- [1-16] Indicación de la capacidad

Las imágenes con la dotación de suministro se encuentran en una hoja desplegable al comienzo de este manual de instrucciones. Cuando lea este manual, le recomendamos que despliegue esta página para disponer fácilmente de una vista general de la máquina.

Los accesorios representados o descritos no forman parte íntegra de la dotación de suministro.

7 Puesta en servicio

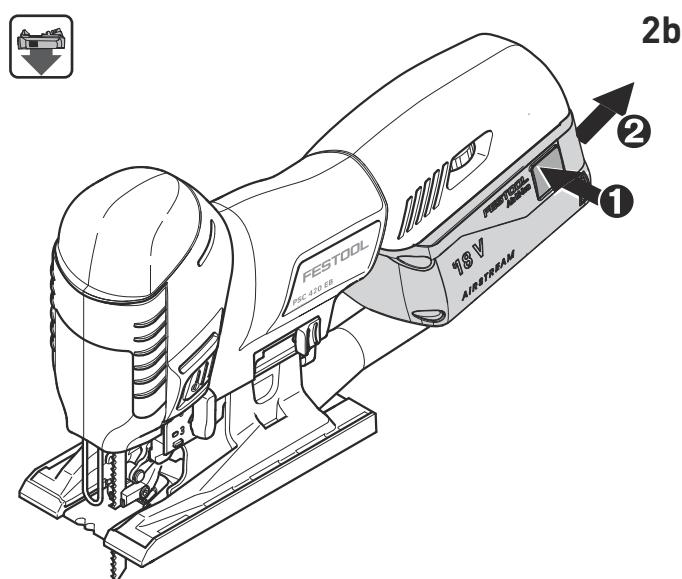
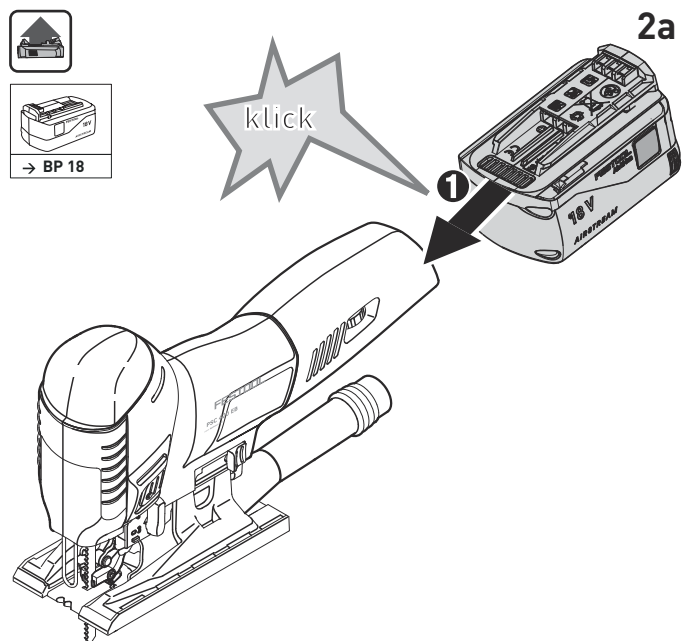
7.1 Encendido y apagado

La herramienta eléctrica tiene una tecla [1-2] a cada lado para encenderla y apagarla.

La PSBC 420 EB tiene además un interruptor acelerador [1-4] con bloqueo de conexión [1-6]. Para el funcionamiento permanente utilice la tecla [1-2].

8 Batería





- Insertar la batería [2a]
- Extraer la batería [2b]



¡Riesgo de lesiones! Las baterías de la serie BPC solo pueden utilizarse una vez retirado el enganche de cinturón de la batería.

8.1 Indicación de capacidad

La indicación de la capacidad [1-16] muestra, al accionar la tecla [1-15], el estado de carga de la batería durante aprox. 2 s:

	70-100%
	40-70%
	15-40%
	< 15% *

***Recomendación:** cargar la batería antes de cada utilización.

- ❗ Encontrará más información sobre la batería y el cargador en el manual de instrucciones de la batería y el cargador.

9 Ajustes



ADVERTENCIA

Peligro de lesiones y electrocución

- ▶ Antes de realizar cualquier trabajo en la máquina, extraiga la batería.

9.1 Cambio de herramienta



PRECAUCIÓN

Peligro de lesiones por herramienta caliente y afilada

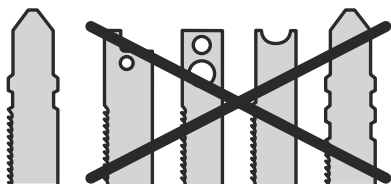
- ▶ No utilizar herramientas romas o defectuosas.
- ▶ Utilizar guantes de protección.

❗ No utilice hojas de sierra deformadas o agrietadas ni hojas que presenten cuchillas defectuosas o sin filo.

Selección de la hoja de sierra

❗ Utilice hojas de sierra con vástago de una sola leva (vástago en T). La hoja de sierra no debería tener una longitud superior a la necesaria para el corte que se va a realizar. Para conseguir un guiado seguro, la hoja de sierra debería sobresalir por abajo de la pieza de trabajo en cada punto.

- ❗ Cuando utilice la mesa angular y de adaptación, trabaje únicamente con hojas de sierra triscadas. Recomendamos la hoja de sierra S 105/4 FSG de Festool.



Las hojas de sierra de Festool para caladoras están identificadas mediante un código de colores. El color indica el material para el que es adecuada la hoja de sierra.

Color	Material
Amarillo	Madera
Rojo	Plásticos
Verde	Materiales de construcción
Azul	Metal

Puede encontrar más información en el empaque, en el catálogo Festool o en www.festool.es.

Montaje de la hoja de sierra



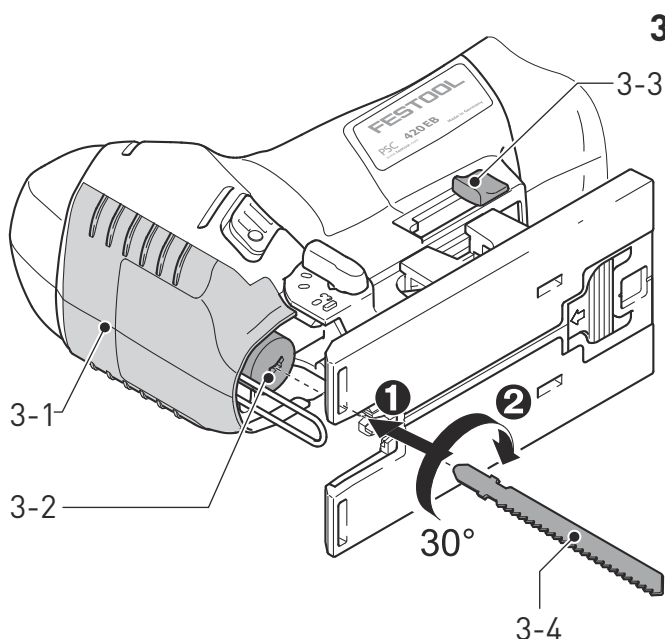
Antes del cambio de herramienta, desconecte siempre la herramienta eléctrica de la alimentación de corriente.

- ▶ En caso necesario, desplace la protección contra el vuelo de virutas [3-1] hacia arriba.
- ▶ Desplace la hoja de sierra [3-4] con los dientes en el sentido del corte hasta el tope en la abertura [3-2].
- ▶ Gire la hoja de sierra [3-4] aprox. 30° en el sentido de las agujas del reloj hasta que enclave.



Compruebe que la hoja de sierra esté bien sujeta. Si la hoja de sierra está suelta, podría caerse y provocarle lesiones.

- ❗ En caso de que las hojas de sierra sean muy cortas, se recomienda extraer la mesa de serrar (véase el capítulo 9.4) antes de insertar la hoja de sierra.



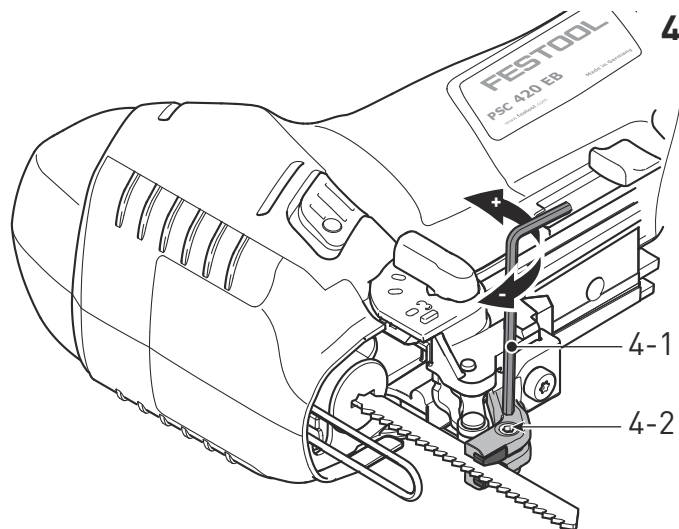
Ajustar la guía para la hoja de sierra tras cada cambio de la hoja

La guía para la hoja de sierra sirve para mejorar el guiado de la hoja.

- ▶ Extraiga la mesa de serrar (véase el capítulo 9.4).
- ▶ Apriete el tornillo [4-2] con la llave de macho hexagonal [4-1] de modo que las caras de la hoja de sierra **casi** se toquen.

AVISO**Daños en la máquina o en la hoja de sierra**

- ▶ No apretar demasiado el tornillo [4-2]. La hoja de sierra debe poder moverse ligeramente.

**Expulsión de la hoja de sierra**

- ⓘ Al expulsar la hoja de sierra, sujete la herramienta eléctrica de forma que nadie resulte herido.

- ▶ Desplace la expulsión de la hoja de sierra [3-3] hacia delante hasta el tope.
La hoja de sierra se expulsará mecánicamente.

- ⓘ El cambio de herramienta solo es posible con el alojamiento de la herramienta en la posición superior.

Si no se puede cambiar la hoja de sierra: Hacer funcionar la caladora durante 3-10 segundos a alta velocidad. Accionar de nuevo la expulsión de la hoja de sierra [3-3].

9.2 Uso de la protección contra la proyección de virutas

La protección contra la proyección de virutas [3-1] impide que las virutas salgan disparadas y mejora la eficacia de la aspiración de virutas.

- ▶ Desplace la protección contra la proyección de virutas [3-1] hacia abajo con una ligera presión.

9.3 Montaje de la protección antiastillas

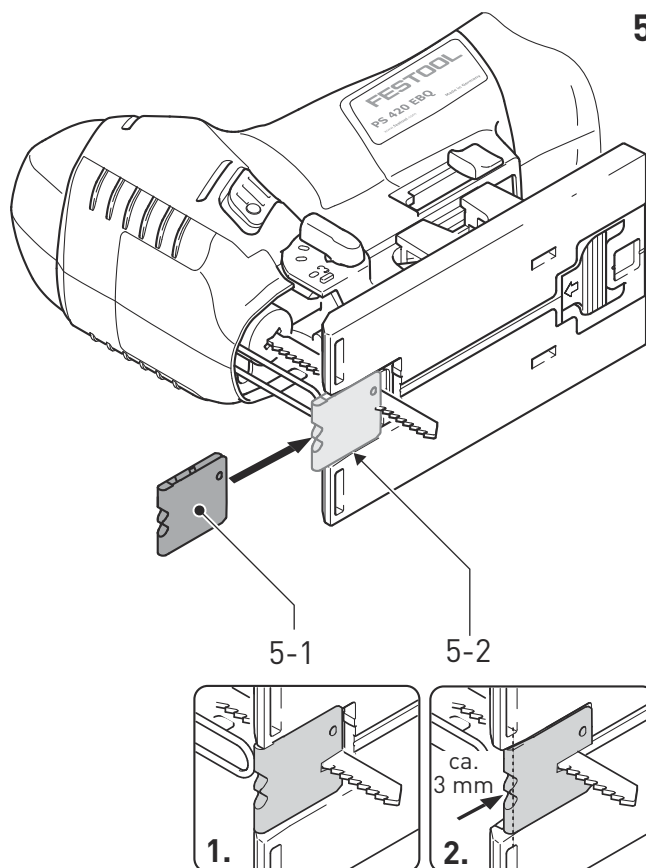
La protección antiastillas permite realizar cortes sin desgarros en los cantos, incluso por el lado de salida de la hoja de sierra.

- ▶ Con la máquina apagada, empuje la protección antiastillas [5-1] hasta la hoja de sierra por la guía [5-2],

- ▶ conecte la caladora,
- ▶ desplace la protección antiastillas, con la máquina en funcionamiento (Escalón de velocidad 5), en una superficie plana (**no a mano**) hasta que enrase con el canto delantero de la mesa de serrar. De esta manera se sierra la protección antiastillas.

- ⓘ Una vez desgastada, la protección antiastillas se puede desplazar unos 1/8" (3 mm) más hacia atrás y seguir utilizándose.


- ⓘ Para que la protección antiastillas funcione eficazmente, debe quedar bien enrasada a ambos lados de la hoja de sierra. Por este motivo, para conseguir cortes sin desgarros, en cada cambio de la hoja de sierra se debe emplear también una nueva protección antiastillas.

**9.4 Cambio de la mesa de serrar**

- ▶ Abra la palanca de cambio [1-9].
- ▶ Extraiga la mesa de serrar desplazándola hacia abajo.

- ⓘ El montaje se realiza en el orden inverso. Asegúrese de que la mesa de serrar quede bien sujeta en la guía.

En lugar de la mesa de serrar, en el alojamiento se puede montar la mesa angular WT-PS 400 o la mesa de adaptación ADT-PS 400.

 Nunca sierre sin la mesa de serrar o sin ninguna de las mesas ofrecidas en el programa de accesorios de Festool.

9.5 Aspiración




ADVERTENCIA

Consecuencias perjudiciales para la salud a causa del polvo

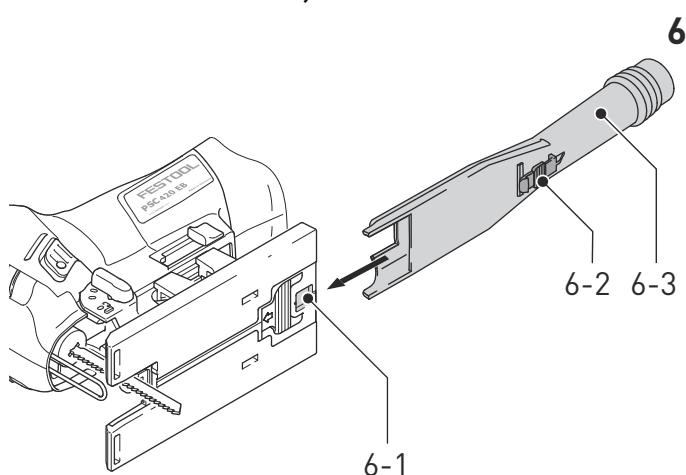
- ▶ El polvo puede ser perjudicial para la salud. Por este motivo, no trabaje nunca sin aspiración.
- ▶ Durante la aspiración de polvo perjudicial para la salud, respete siempre las normativas nacionales.

El adaptador de aspiración **[6-3]** permite conectar las caladoras a un equipo de aspiración (diámetro del tubo flexible de 1-1/16" (27 mm)).

- ▶ Inserte el adaptador de aspiración en la abertura trasera de la mesa de serrar de forma que el gancho **[6-2]** enclave en la entalladura **[6-1]**.
- ▶ Para extraer el adaptador de aspiración, pulse el gancho **[6-2]**.

 El consumo de potencia reducido de la máquina (menor consumo de energía) hace que los aspiradores con conexión automática a veces se conecten solo en el momento de realizar el corte.

- ▶ Seleccione el funcionamiento continuo del aparato de aspiración para aplicaciones especiales (p. ej. número de carreras bajo, madera blanda...).



9.6 Ajuste del movimiento pendular

Para poder trabajar en materiales diferentes con un avance óptimo, las caladoras pendulares disponen de un movimiento pendular ajustable. Con el interruptor de carrera pendular **[1-12]** se puede seleccionar la posición deseada:

Posición 0 = movimiento pendular desconectado

Posición 3 = movimiento pendular máximo

Ajuste recomendado del movimiento pendular

Madera blanda, planchas de madera aglomerada, placas de fibra de madera	1 - 3
Tableros de mesa de carpintero, madera contrachapada, plástico	1 - 2
Cerámica	0
Aluminio, metales no férricos	0 - 2
Acero, madera dura	0 - 1

9.7 Regulación del número de carreras

El número de carreras se puede ajustar con la rueda de ajuste **[1-6]** de modo continuo entre 1.500 y 3.800 min⁻¹ (PSBC 420 EB: 1.000-3.800 min⁻¹). De este modo puede adaptar la velocidad de corte de manera óptima a cada material.

En la posición **A** se encuentra activada la detección de carga automática: el número de carreras está reducido en la marcha en vacío y se regula al valor máximo al penetrar en la pieza de trabajo.

Número de carreras recomendado (posición de la rueda de ajuste)

Madera dura, madera blanda, tableros de mesa de carpintero, madera contrachapada, planchas de madera aglomerada	A
Placas de fibra de madera	4 - A
Plástico	3 - A
Cerámica, aluminio, metales no férricos	3 - 5
Acero	2 - 4

10 Trabajo con la herramienta eléctrica



PRECAUCIÓN

Materiales que generan mucho polvo
Daños en la máquina por la penetración de polvo y peligro de lesiones

- ▶ No realizar trabajos por encima de la cabeza.

**ADVERTENCIA****Peligro de lesiones**

- ▶ Antes de la operarla verifique el asiento correcto de la cuchilla de de sierra y que esté fija.
- ▶ La sierra de calado siempre debe acercarse y aplicarse a la pieza de trabajo con la cuchilla de la sierra en marcha.
- ▶ Espere a que la máquina esté completamente parada antes de guardarla. La herramienta giratoria podría engancharse, lo que podría causar la pérdida de control de la máquina.

Sujete la herramienta eléctrica por la empuñadura y guíela a lo largo de la línea de corte deseada. Para obtener cortes precisos y una marcha suave, guíe la herramienta eléctrica con las dos manos.

10.1 Serrado libre siguiendo la línea de corte

Gracias a la punta triangular, la protección antiastillas **[5-1]** señala la línea de corte de la hoja de sierra, simplificando así el serrado.

10.2 Iluminación**ADVERTENCIA**

La posición de la hoja puede resultar engañosa debido al efecto de la luz estroboscópica

Peligro de lesiones

- ▶ Asegúrese de que el lugar de trabajo tenga una buena iluminación.

Con objeto de iluminar la línea de corte, se ha integrado una luz permanente o una luz estroboscópica:

hasta aprox. 2100 min⁻¹: luz permanente
a partir de aprox. 2100 min⁻¹: luz estroboscópica

- (i)** La iluminación se apaga al elevar la herramienta a una altura por encima de la cabeza (+/- 45°).

En caso necesario, se puede adaptar la iluminación:

- ▶ Enchufar la herramienta eléctrica.
- ▶ Mantener pulsados los dos botones **[1-2]** simultáneamente durante unos 10 s hasta que suene una señal acústica.
- ▶ Soltar ambos botones **[1-2]**.

- ▶ Pulsar el botón izquierdo (en el lado del movimiento pendular) el número de veces indicado para seleccionar el modo deseado:

Modo	Visualización durante el ajuste	Variación durante el funcionamiento
1	Iluminación intermitente	Con estroboscopio (estándar)
2	Iluminación conectada	Luz permanente sin estroboscopio
3	Iluminación desconectada	Luz apagada

- ▶ Pulsar el botón derecho para guardar el ajuste.

10.3 Señales acústicas de advertencia

Las señales acústicas de advertencia se emiten en los siguientes estados de funcionamiento y, seguidamente, la máquina se desconecta:



peep — —

Batería vacía o máquina sobrecargada.

- Cambie la batería.
- Cargue menos la máquina.



peep peep —

La máquina se ha sobrecalentado.

- Una vez se haya enfriado la máquina, puede ponerla de nuevo en marcha.



peep peep peep

La batería de Li-Ion se ha sobrecalentado o es defectuosa.

- Compruebe el funcionamiento de la batería ya enfriada con el cargador.

11 Mantenimiento y cuidado**ADVERTENCIA****Peligro de lesiones, electrocución**

- ▶ Extraiga siempre la batería de la máquina antes de realizar cualquier trabajo de mantenimiento y conservación.



ADVERTENCIA

Cualquier trabajo de mantenimiento o reparación que requiera abrir el motor o la carcasa del engranaje deberá ser realizado únicamente por un Centro de Atención al Cliente (nombre proporcionado por su concesionario).

- ▶ Los trabajos de mantenimiento o reparación realizados por una persona no autorizada podrían provocar la conexión incorrecta de los conductores de alimentación u otros componentes, lo que a su vez podría provocar accidentes con consecuencias graves.



PRECAUCIÓN

Algunos productos de limpieza y disolventes resultan perjudiciales para las piezas de plástico.

- ▶ Algunos de ellos incluyen, entre otros, gasolina, acetona, metiletilcetona (MEK) y oxocloruro de carbono. Los productos de limpieza normalmente contienen cloro y amoníaco y los productos de limpieza del hogar contienen amoníaco.



El servicio de atención al cliente y de reparaciones solo está disponible a través del fabricante o de los talleres de reparación. Dirección más cercana en: www.festoolusa.com/service



Utilice únicamente piezas de recambio Festool originales. Referencia en: www.festoolusa.com/service

11.1 Tener en cuenta las siguientes advertencias

- ▶ Compruebe regularmente si el rodillo guía presenta desgaste.
- ▶ Limpie regularmente el polvo que se acumula en la campana de salida de virutas.
- ▶ Limpie regularmente la banda de rodadura para evitar rayaduras y estrías en la superficie.
- ▶ Los dispositivos de protección y las piezas que presenten daños deben ser reparados o sustituidos conforme a lo prescrito por un taller especializado autorizado, a menos que se especifique de otro modo en el manual de instrucciones.
- ▶ A fin de garantizar una correcta circulación del aire, las aberturas para el aire de refri-

geración dispuestas en la carcasa del motor deben mantenerse libres y limpias.

- ▶ Mantenga siempre limpios los puntos de conexión de la herramienta eléctrica, el cargador y la batería.
- ▶ Comprobar que todas las advertencias de la herramienta eléctrica sean legibles y estén completas. Reemplazar las advertencias que falten o que no sean legibles.

11.2 Limpieza del orificio de expulsión de virutas

Limpie el orificio de expulsión de virutas [1-14] regularmente para evitar obstrucciones:

- ▶ Retire la protección contra el vuelo de virutas.
- ▶ Limpie el orificio de expulsión de virutas con un pincel o aspírelo.
- ▶ Vuelva a colocar la protección contra el vuelo de virutas.

Comprobar que todas las advertencias de la herramienta eléctrica sean legibles y estén completas. Reemplazar las advertencias que falten o que no sean legibles.

12 Accesorios



ADVERTENCIA

Peligro de lesiones

- ▶ Antes de llevar a cabo cualquier trabajo en la herramienta eléctrica, retirar de esta la batería.

Utilice únicamente los accesorios Festool originales y el material de consumo Festool diseñados para esta máquina, puesto que los componentes de este sistema están óptimamente adaptados entre sí. La utilización de accesorios y material de consumo de otros fabricantes puede afectar a la calidad de los resultados de trabajo y conllevar una limitación de los derechos de la garantía. El desgaste de la máquina o de su carga personal puede variar en función de la aplicación. Utilice únicamente accesorios originales y material de consumo de Festool para su propia protección y la de la máquina, así como de los derechos de la garantía.

Los números de pedido para los respectivos accesorios y herramientas se encuentran en su catálogo Festool o en la dirección de Internet "www.festoolusa.com".

12.1 Hojas de sierra, otros accesorios

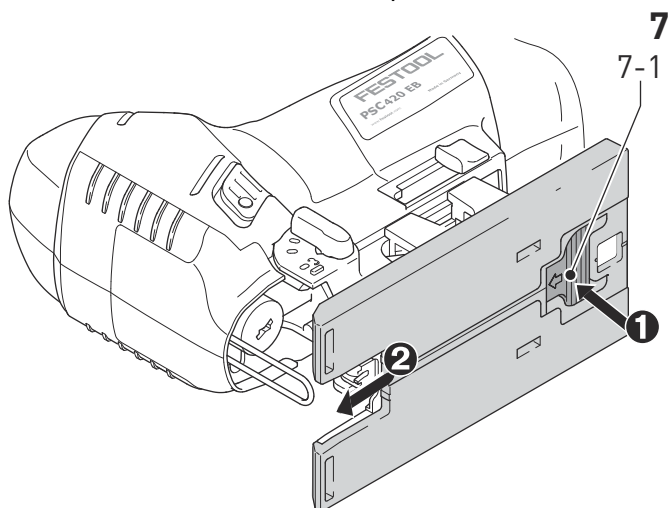
Para cortar diversos materiales de forma rápida y limpia, Festool le ofrece hojas de sierra

compatibles con su caladora Festool y adecuadas para cualquier aplicación.

12.2 Serrado con bandas de rodadura especiales

Las bandas de rodadura especiales protegen las superficies delicadas de rayaduras y estrías.

- ▶ Presione la banda de rodadura en la posición **[7-1]**,
- ▶ al tiempo que la desplaza hacia adelante.
- ▶ Coloque otra banda de rodadura y desplácela hacia atrás hasta que enclave.



12.3 Serrado con la mesa angular

! La mesa angular WT-PS 400 sirve para serrar tubos, así como ángulos interiores y exteriores de hasta 45°.

Cuando se trabaja con la mesa angular no puede conectarse ningún equipo de aspiración.

Montaje de la mesa angular

- ▶ Extraer la mesa de serrar **[1-11]** (véase el capítulo 9.4).
- ▶ Colocar la mesa angular en el alojamiento de la mesa de serrar.
- ▶ Cerrar la palanca de cambio **[1-9]**.

Asegurarse de que la mesa angular quede bien sujeta en la guía.

Ajuste del ángulo

- ▶ Girar la rueda de ajuste **[8-1]** para ajustar el ángulo deseado.

*Con ayuda de la escala **[8-2]** se pueden ajustar los valores -45°, 0° y +45°.*



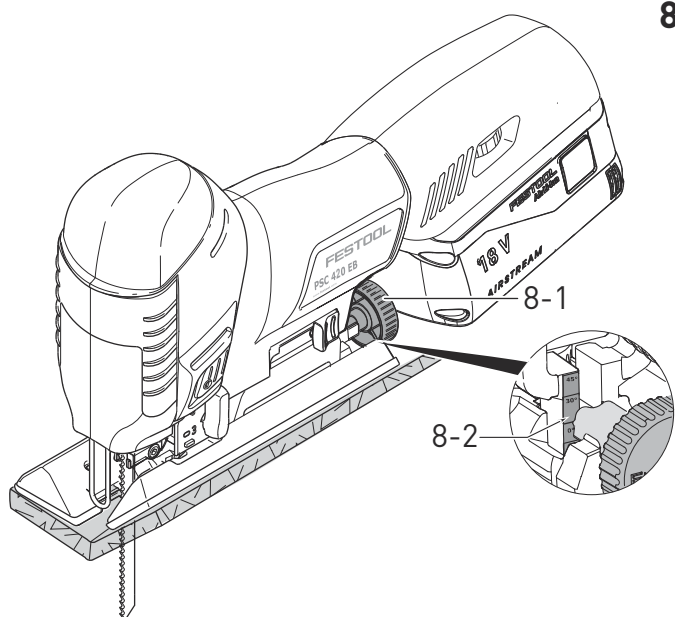
ADVERTENCIA

Serrado de profundidades de corte

Peligro de lesiones

- ▶ Seleccionar la longitud de la hoja de sierra y la profundidad de corte de forma que la hoja de sierra quede siempre dentro de la pieza de trabajo.

- i** Para cortes de 0° recomendamos ajustar la mesa angular a un número de grados ligeramente negativo con el fin de garantizar una marcha estable.

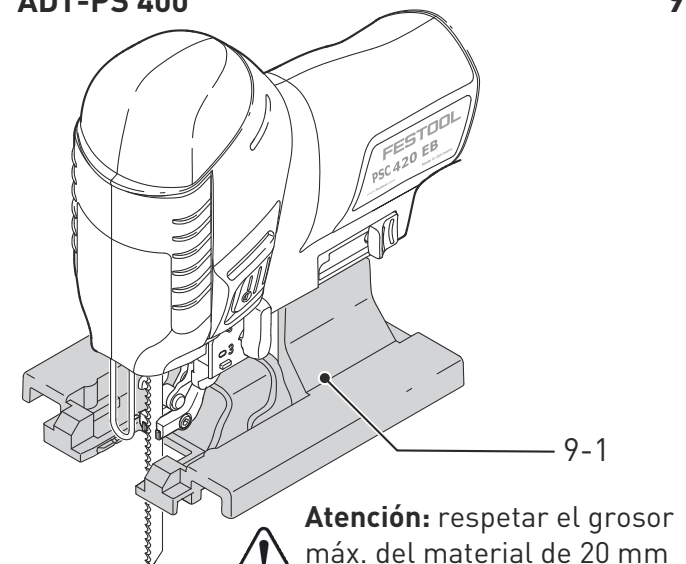


12.4 Serrado con la mesa de adaptación

La mesa de adaptación ADT-PS 400 sirve para fijar la caladora en el riel de guía Festool y en el cortador circular KS-PS 400.

! Con el riel de guía y el cortador circular: respetar el grosor máx. del material de 6/8" (20 mm) y utilizar solo hojas de sierra triscadas (FSG).

ADT-PS 400



Atención: respetar el grosor máx. del material de 20 mm y utilizar solo hojas de sierra triscadas (FSG).

Montaje de la mesa de adaptación

- ▶ Extraiga la mesa de serrar **[1-11]** (véase el capítulo 9.4).
- ▶ Coloque la mesa de adaptación **[9-1]** en el alojamiento de la mesa de serrar.

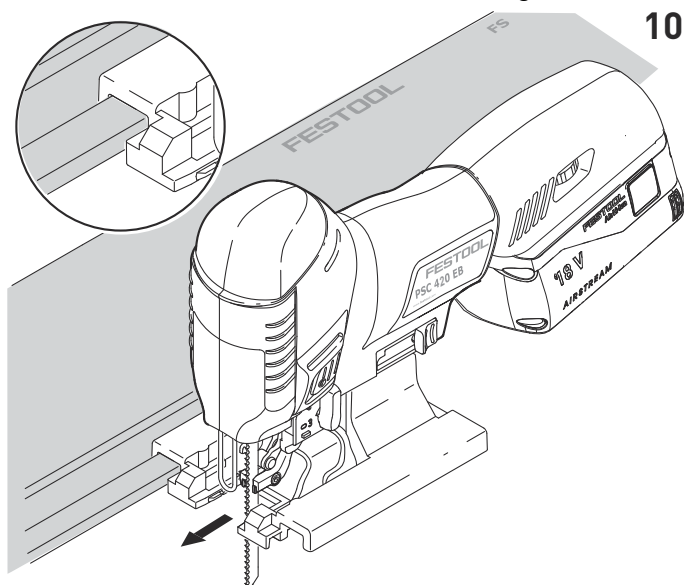
- ▶ Cierre la palanca de cambio **[1-9]**.
Asegúrese de que la mesa de adaptación quede bien sujeta en la guía.

i Utilice el racor de aspiración **[1-8]** también con la mesa de adaptación.

Adaptación al riel de guía FS 2

El uso del sistema guía FS 2 de Festool (imagen **[10]**) facilita la realización de cortes rectos y precisos.

- ▶ Colocar la caladora con la mesa de adaptación montada **[9-1]** en el riel de guía.



Adaptación al cortador circular

El cortador circular sirve para elaborar cortes circulares con un diámetro de entre 4-3/4" y 118-1/8" (120 y 3000 mm). El cortador circular puede montarse en la mesa de adaptación desde ambos lados.

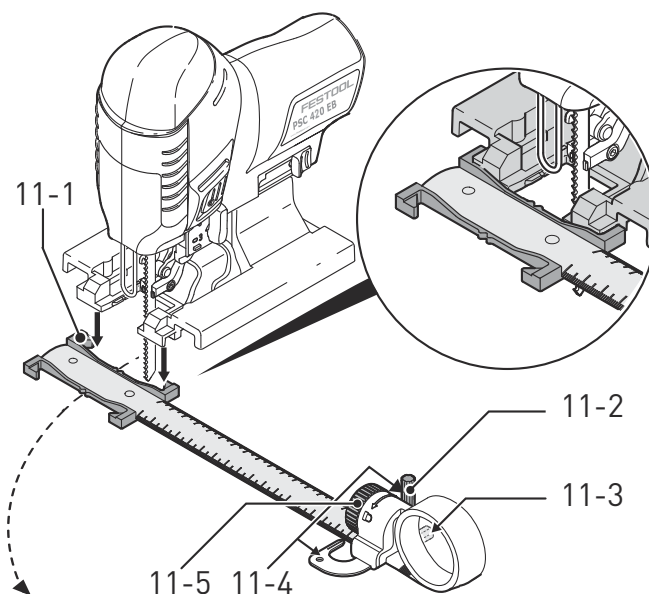
- ▶ Coloque la caladora con la mesa de adaptación sobre el adaptador **[11-1]** en el cortador circular.
- ▶ Coloque el mandril de centrado **[11-2]** en el taladro **[11-4]** del cortador circular, que se encuentra en la línea de la hoja de sierra.
- ▶ Sujete la cinta métrica en el cortador circular con el botón giratorio **[11-5]**.

Ajustes recomendados para serrar con el cortador circular:

- ▶ Sierre en sentido contrario a las agujas del reloj.
- ▶ Sierre con un avance lento.
- ▶ Coloque el movimiento pendular **[1-12]** en 0 - 1.
- ▶ Coloque el número de carreras **[1-6]** en 1 - 5.

i Guarde el mandril de centrado en el compartimento **[11-3]**.

KS-PS 400



12.5 SYSTAINER

Systainer

Muchos de los productos Festool se entregan en un embalaje exclusivo denominado "Systainer" que sirve de protección a la herramienta y sus complementos, además de facilitar su almacenamiento. Los Systainer pueden apilarse y encajan unos con otros. Además se adaptan sin problema a cualquier aparato de aspiración CT de Festool.

Para abrir el Systainer



Gire el T-loc a esta posición.

Para cerrar el Systainer



Gire el T-loc a esta posición.

Para encajar dos Systainer

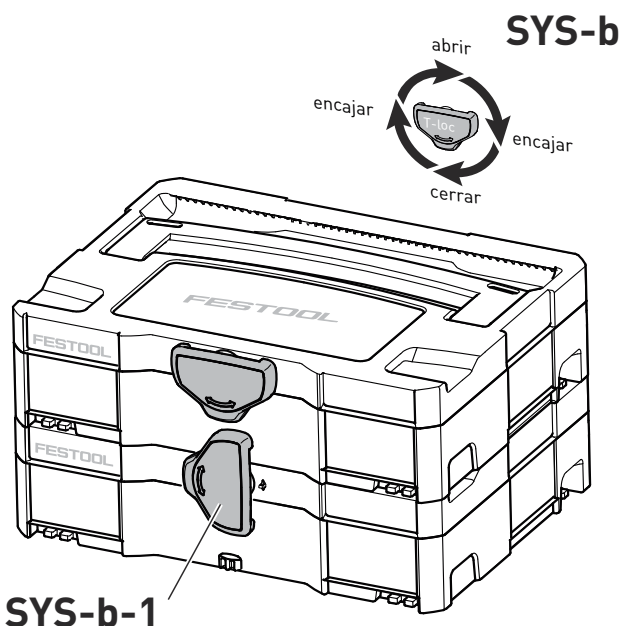
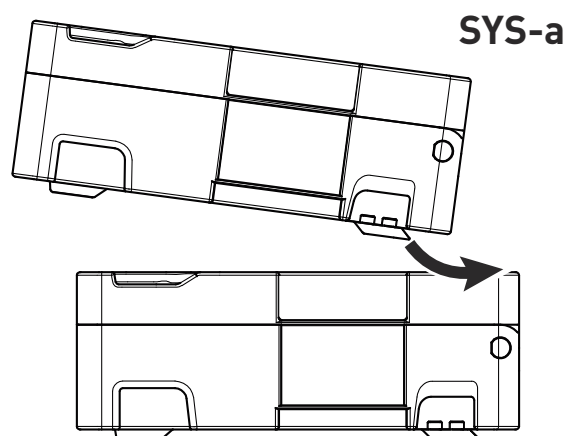
Ponga el Systainer sobre un otro .



Gire el T-loc a una de estas posiciones (Fig.).

Los Systainers están encajados y cerrados.

i Un Systainer de la nueva generación es encajable encima de un Systainer de la generación anterior con los cuatro enganches del Systainer anterior.



SYS-b-1

13 Medio ambiente

No deseche la herramienta junto con los residuos domésticos. Recicle las herramientas, accesorios y embalajes de forma respetuosa con el medio ambiente. Respete la normativa vigente del país.

Reciclaje de baterías



ADVERTENCIA

Riesgo de fuego o daños

- ▶ No intente desarmar la batería ni quitar ninguno de los componentes que sobresalen de las terminales de la batería.
- ▶ Antes de tirarla, proteja las terminales que están al descubierto con cinta adhesiva aislante gruesa para prevenir cortocircuitos.



El sello RBRC™ (Corporación de Reciclaje de Baterías Recargables) de níquel-cadmio

(NiCd), níquel-hidruro metálico (NiMH) o iones de litio (Lion) en baterías (o acumuladores) indica que Festool está participando voluntariamente en un programa de la industria para recoger y reciclar estas baterías al final de su vida útil, cuando se retiran de servicio en los Estados Unidos y Canadá.

En algunas zonas, es ilegal tirar las baterías en la basura o la corriente de residuos sólidos municipales y del programa RBRC ofrece una alternativa medioambiental conveniente.

Por favor, llame al 1-800-822-8837 para obtener información sobre las prohibiciones/restricciones sobre el reciclaje y la eliminación de baterías en su lugar, o devuelva las baterías al Centro de Servicio Festool para reciclarlas. Ayude a proteger nuestro medio ambiente y conservar los recursos naturales!

14 Observaciones generales

14.1 Bluetooth®

La marca denominativa Bluetooth® y los logotipos son marcas registradas de Bluetooth SIG, Inc. Por lo tanto, todo uso que TTS Tooltechnic Systems AG & Co. KG y, por consiguiente, también Festool, hagan de dicha marca está sujeto a un contrato de licencia.