

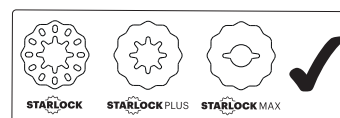
en	Original Instructions – Cordless oscillator	6
fr	Notice d'utilisation d'origine - scie oscillante sans fil	18
es	Manual de instrucciones original - oscilante de batería	31



Read all instructions before using  
Lire toutes les instructions avant de démarrer les travaux.  
Lea y comprende todas las instrucciones antes de usar.



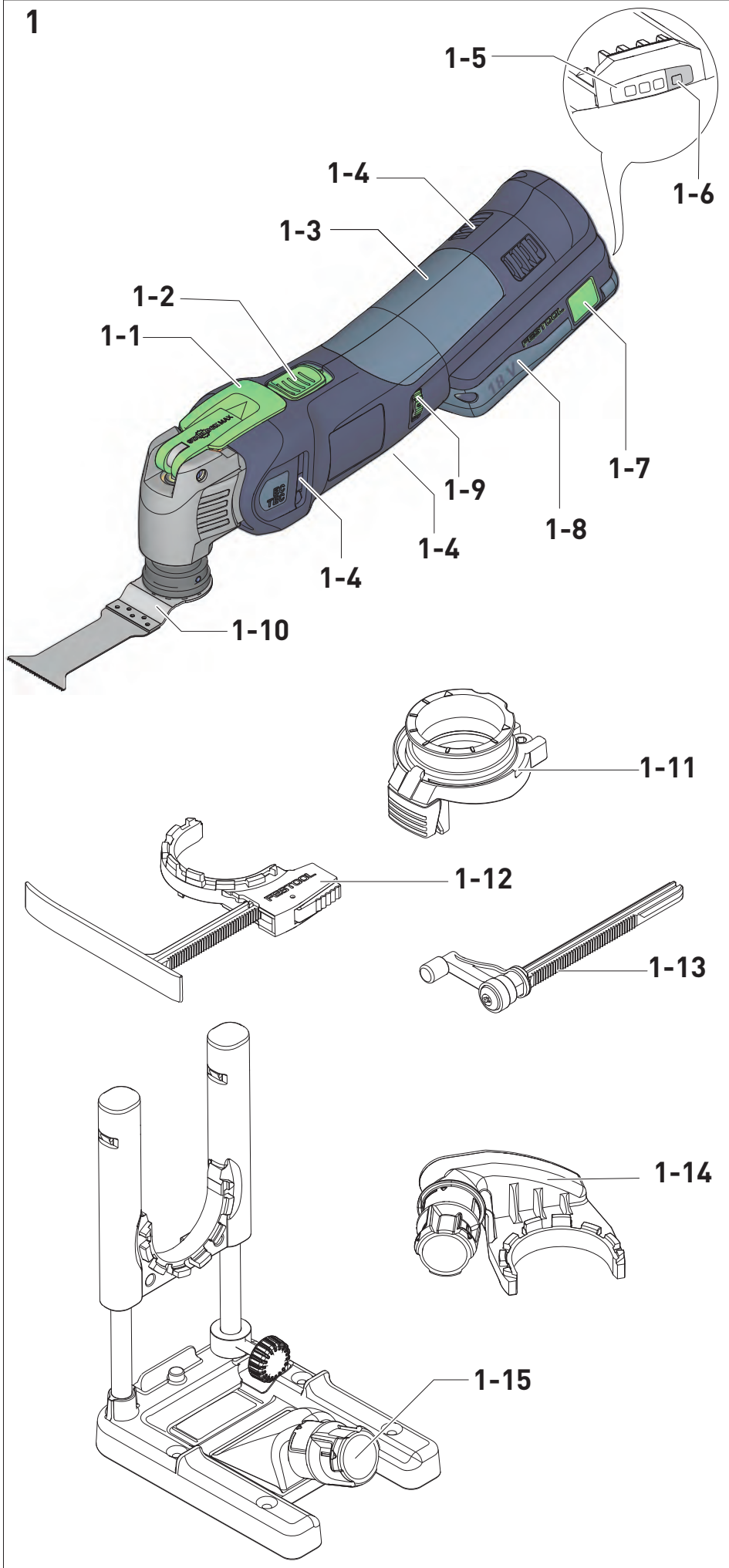
## OSC 18







1





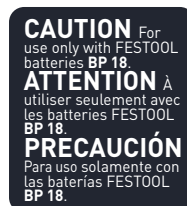
## Contents

1	Symbols.....	6
2	About this manual.....	6
3	Safety warnings.....	6
4	Intended use.....	9
5	Technical Data.....	10
6	Functional description.....	10
7	Commissioning.....	10
8	Battery pack.....	10
9	Settings.....	11
10	Working with the machine.....	12
11	Acoustic warning signals.....	12
12	Accessories.....	12
13	Service and maintenance.....	16
14	Environment.....	17

## 1 Symbols

-  Warning of general danger
-  Warning of electric shock
-  Read the operating instructions and safety instructions.
-  Wear protective goggles.
-  Wear ear protection.
-  Wear a dust mask.
-  Wear protective gloves.
-  Risk of pinching fingers and hands!
-  Danger area! Keep hands away!
-  Inserting the battery pack
-  Removing the battery pack
-  Do not dispose of it with domestic waste.
-  Tip or advice
-  Handling instruction
- V volt

- rpm revolutions per minute
- min<sup>-1</sup> revolutions per minute
- kg kilogram
- lb. pound
- ° angular degree






**CAUTION** For use only with FESTOOL batteries BP 18

## 2 About this manual


### Save these instructions

It is important for you to read and understand this manual. The information it contains relates to protecting **your safety** and **preventing problems**. The symbols below are used to help you recognize this information.

	<b>DANGER</b>	Description of imminent hazard and failure to avoid hazard will result in death.
	<b>WARNING</b>	Description of hazard and possible resulting injuries or death.
	<b>CAUTION</b>	Description of hazard and possible resulting injuries.
	<b>NOTICE</b>	Description of possible damage of the device or its surroundings.

## 3 Safety warnings

### 3.1 General power tool safety warnings

 **WARNING! Read all safety warnings, instructions, illustrations and specifications provided with this power tool.** Failure to follow all instructions listed below may result in electric shock, fire and/or serious injury.

**Save all warnings and instructions for future reference.**

The term "power tool" in the warnings refers to your mains-operated (corded) power tool or battery-operated (cordless) power tool.

#### 1 WORK AREA SAFETY

- a. **Keep work area clean and well lit.** Cluttered or dark areas invite accidents.
- b. **Do not operate power tools in explosive atmospheres, such as in the presence of**

**flammable liquids, gases or dust.** Power tools create sparks which may ignite the dust or fumes.

- c. **Keep children and bystanders away while operating a power tool.** Distractions can cause you to lose control.

## 2 ELECTRICAL SAFETY

- a. **Power tool plugs must match the outlet. Never modify the plug in any way. Do not use any adapter plugs with earthed (grounded) power tools.** Unmodified plugs and matching outlets will reduce risk of electric shock.
- b. **Avoid body contact with earthed or grounded surfaces, such as pipes, radiators, ranges and refrigerators.** There is an increased risk of electric shock if your body is earthed or grounded.
- c. **Do not expose power tools to rain or wet conditions.** Water entering a power tool will increase the risk of electric shock.
- d. **Do not abuse the cord. Never use the cord for carrying, pulling or unplugging the power tool. Keep cord away from heat, oil, sharp edges or moving parts.** Damaged or entangled cords increase the risk of electric shock.
- e. **When operating a power tool outdoors, use an extension cord suitable for outdoor use.** Use of a cord suitable for outdoor use reduces the risk of electric shock.
- f. **If operating a power tool in a damp location is unavoidable, use a residual current device (RCD) protected supply.** Use of an RCD reduces the risk of electric shock.

## 3 PERSONAL SAFETY

- a. **Stay alert, watch what you are doing and use common sense when operating a power tool. Do not use a power tool while you are tired or under the influence of drugs, alcohol or medication.** A moment of inattention while operating power tools may result in serious personal injury.
- b. **Use personal protective equipment. Always wear eye protection.** Protective equipment such as a dust mask, non-skid safety shoes, hard hat or hearing protection used for appropriate conditions will reduce personal injuries.
- c. **Prevent unintentional starting. Ensure the switch is in the off-position before connecting to power source and/or battery pack, picking up or carrying the tool. Car-**

rying power tools with your finger on the switch or energising power tools that have the switch on invites accidents.

- d. **Remove any adjusting key or wrench before turning the power tool on.** A wrench or a key left attached to a rotating part of the power tool may result in personal injury.
- e. **Do not overreach. Keep proper footing and balance at all times.** This enables better control of the power tool in unexpected situations.
- f. **Dress properly. Do not wear loose clothing or jewellery. Keep your hair and clothing away from moving parts.** Loose clothes, jewellery or long hair can be caught in moving parts.
- g. **If devices are provided for the connection of dust extraction and collection facilities, ensure these are connected and properly used.** Use of dust collection can reduce dust-related hazards.
- h. **Do not let familiarity gained from frequent use of tools allow you to become complacent and ignore tool safety principles.** A careless action can cause severe injury within a fraction of a second.

## 4 POWER TOOL USE AND CARE

- a. **Do not force the power tool. Use the correct power tool for your application.** The correct power tool will do the job better and safer at the rate for which it was designed.
- b. **Do not use the power tool if the switch does not turn it on and off.** Any power tool that cannot be controlled with the switch is dangerous and must be repaired.
- c. **Disconnect the plug from the power source and/or remove the battery pack, if detachable, from the power tool before making any adjustments, changing accessories, or storing power tools.** Such preventive safety measures reduce the risk of starting the power tool accidentally.
- d. **Store idle power tools out of the reach of children and do not allow persons unfamiliar with the power tool or these instructions to operate the power tool.** Power tools are dangerous in the hands of untrained users.
- e. **Maintain power tools and accessories. Check for misalignment or binding of moving parts, breakage of parts and any other condition that may affect the power tool's operation. If damaged, have the power**

**tool repaired before use.** Many accidents are caused by poorly maintained power tools.

- f. **Keep cutting tools sharp and clean.** Properly maintained cutting tools with sharp cutting edges are less likely to bind and are easier to control.
- g. **Use the power tool, accessories and tool bits etc. in accordance with these instructions, taking into account the working conditions and the work to be performed.** Use of the power tool for operations different from those intended could result in a hazardous situation.
- h. **Keep handles and grasping surfaces dry, clean and free from oil and grease.** Slippery handles and grasping surfaces do not allow for safe handling and control of the tool in unexpected situations.

## 5 BATTERY TOOL USE AND CARE

- a. **Recharge only with the charger specified by the manufacturer.** A charger that is suitable for one type of battery pack may create a risk of fire when used with another battery pack.
- b. **Use power tools only with specifically designated battery packs.** Use of any other battery packs may create a risk of injury and fire.
- c. **When battery pack is not in use, keep it away from other metal objects, like paper clips, coins, keys, nails, screws or other small metal objects, that can make a connection from one terminal to another.** Shorting the battery terminals together may cause burns or a fire.
- d. **Under abusive conditions, liquid may be ejected from the battery; avoid contact. If contact accidentally occurs, flush with water. If liquid contacts eyes, additionally seek medical help.** Liquid ejected from the battery may cause irritation or burns.
- e. **Do not use a battery pack or tool that is damaged or modified.** Damaged or modified batteries may exhibit unpredictable behaviour resulting in fire, explosion or risk of injury.
- f. **Do not expose a battery pack or tool to fire or excessive temperature.** Exposure to fire or temperature above 130 °C (265 °F) may cause explosion.
- g. **Follow all charging instructions and do not charge the battery pack or tool outside the temperature range specified in the in-**

**structions.** Charging improperly or at temperatures outside the specified range may damage the battery and increase the risk of fire.

## 6 SERVICE

- a. **Have your power tool serviced by a qualified repair person using only identical replacement parts.** This will ensure that the safety of the power tool is maintained.
- b. **Never service damaged battery packs.** Service of battery packs should only be performed by the manufacturer or authorized service providers.
- c. **Only use original Festool parts for repair and maintenance.** The use of incompatible accessories or spare parts can result in electric shocks or other injuries.

**Follow the operating manual for the charger and the battery pack.**

### 3.2 Machine-specific safety notices

- **Hold the power tool by insulated gripping surfaces, when performing an operation where the cutting accessory may contact hidden wiring.** Cutting accessory contacting a "live" wire may make exposed metal parts of the power tool "live" and could give the operator an electric shock.
- **Use clamps or another practical way to secure and support the workpiece to a stable platform.** Holding the workpiece by hand or against your body leaves it unstable and may lead to loss of control.
- **Use appropriate detection devices to look for any hidden supply lines or consult your local utility company.** If the insertion tool makes contact with live cables, it can result in fire and electric shock. Damage to a gas pipe can lead to an explosion. Penetration of a water pipe can result in damage to property.
- **Harmful/toxic dust may be produced during your work (e.g. paint containing lead, certain types of wood and metal). Only qualified persons are permitted to handle materials containing asbestos.** A contact with or inhalation of this dust may pose a risk for the operating personnel or persons in the vicinity. Comply with the safety regulations that apply in your country.



Wear a P2 respiratory mask to protect your health.





- **Wear suitable personal protective equipment:** Ear protection, protective goggles, dust mask for work that generates dust, protective gloves for working with rough materials and for changing tools.
- **Grip the electric power tool securely so that your body never comes into contact with the operating tool, especially when working with saw blades or cutting tools directed towards the grip area, for example.** Contact with sharp blades or edges can result in injuries.
- **After machining materials that contain gypsum: Clean the vents of the power tool and on/off switch using dry, oil-free compressed air.** Otherwise, gypsum dust deposits may build up inside the power tool's housing and on the on/off switch and harden when exposed to humidity. This may impair the switching mechanism
- **Wait until the power tool has come to a complete halt before placing it down.** The insertion tool can get caught and lead to a loss of control of the power tool.
- **Do not use power supply units or third-party battery packs to operate cordless power tools. Do not use third-party chargers to charge the battery packs.** The use of accessories not expressly authorised by the manufacturer can result in electric shocks and/or serious accidents.
- **Do not use the power tool in the rain or in damp surroundings.** Moisture in the power tool may cause a short circuit and fire.

### 3.3 Metal processing



When processing metal, the following measures must be taken for safety reasons:

- Connect the machine to a suitable dust extractor.
- Regularly blow out the motor housing of the machine to remove dust deposits.



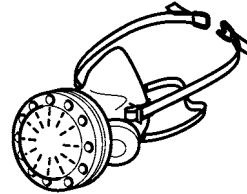
Wear protective goggles.

### 3.4 Health hazard by dust



**WARNING!** various dust created by power sanding, sawing, grinding, drilling and other construction activities contains chemicals known (to the State of California) to cause cancer, birth defects or other reproductive harm. Some examples of these chemicals are:

- lead from lead-based paints,
- crystalline silica from bricks and cement and other masonry products, and
- arsenic and chromium from chemically treated lumber.



The risk from these exposures varies, depending on how often you do this type of work. To reduce your exposure to these chemicals: work in a well ventilated area, and work with approved safety equipment, such as dust masks that are specially designed to filter out microscopic particles. Wash hands after handling.



#### WARNING

**TO REDUCE THE RISK OF INJURY, USER MUST READ INSTRUCTION MANUAL.**

### 4 Intended use

Hand-held cordless oscillator designed for

- Sawing wood, plastic, glass-fibre reinforced plastic (GFRP), plasterboard and sawing sheet metal (max. 1 mm),
- Cutting out tile joints and window putty,
- Scraping away carpet residues and cutting elastic sealant,
- in a weatherproof environment,
- with the tools and accessories offered by Festool.
- intended for use with BP Festool battery packs of the same voltage class.

**Not suitable** for removing windows from passenger cars, lorries and buses or renovating concrete joints.



The user is liable for improper or non-intended use.

## 5 Technical Data

Cordless oscillator	OSC 18
Motor voltage	18 V
Speed	10000 - 19500 rpm
Oscillation angle	2 x 2.0°
Tool holder Compatible with	StarlockMax StarlockMax/ Starlock- Plus/Star- lock
Compatible with battery packs from the series	BP 18
Weight as per EPTA-Proce- dure 01:2014:	3.5 lbs (1.6 kg)

## 6 Functional description

- [1-1]** Clamping lever for changing tools
- [1-2]** On/off switch
- [1-3]** Gripping surface
- [1-4]** Cooling air openings
- [1-5]** Capacity display
- [1-6]** Capacity display button on battery pack
- [1-7]** Button for releasing the battery pack
- [1-8]** Battery pack
- [1-9]** Speed control
- [1-10]** Tool
- [1-11]** Adapter\*
- [1-12]** Depth stop with sliding shoe\*
- [1-13]** Rotary depth stop\*
- [1-14]** Dust extraction device\*
- [1-15]** Positioning aid\*

\* Accessories shown or described are not always included in the scope of delivery.

The pictures for the functional description are on a fold-out page at the beginning of the instruction manual. While reading the manual you can fold out the page for comparison and quick reference.

## 7 Commissioning

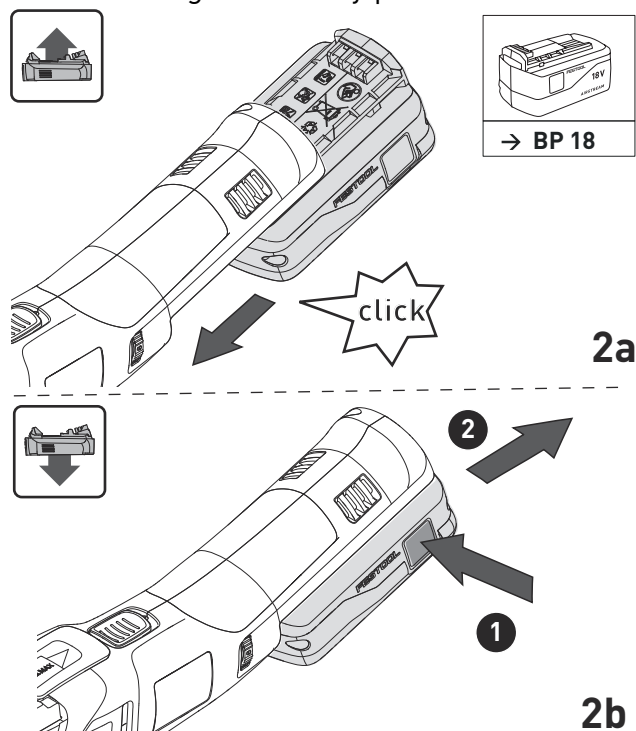
### 7.1 Switch on/off

The switch **[1-2]** is an on/off switch (I = ON, 0 = OFF).

- i** When the battery pack is empty, or if there is a power failure or the mains plug is removed, move the on/off switch immediately to the Off position. This prevents uncontrolled restarting.

## 8 Battery pack

- ▶ Inserting the battery pack **[2a]**
- ▶ Removing the battery pack **[2b]**



### 8.1 Capacity display

The capacity display **[1-5]** indicates the charge of the battery pack for approx. 2 seconds after the button **[1-6]** is pressed:

	70-100%
	40-70%
	15-40%
	< 15% *

\* **Recommendation:** Charge the battery pack before any further use.

- i** Further information about the charger and battery pack with capacity indicator can be found in the corresponding operating manual.

## 9 Settings



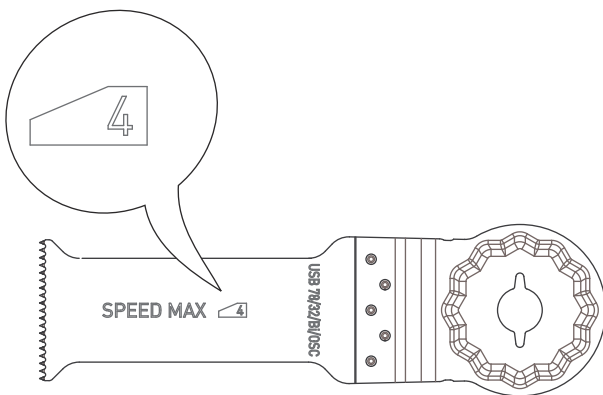
### WARNING

#### Risk of injury

- ▶ Remove the battery pack from the power tool before performing any work on the power tool.

### 9.1 Speed control

You can regulate the speed steplessly within the speed range using the adjusting wheel (see section Technical data). This enables you to optimise the speed to suit the respective material. Please also note the specifications on the tools. If an insertion tool is only suitable up to a maximum speed, the maximum speed is marked on the insertion tool (see Figure).



### 9.2 Changing tools



### CAUTION

#### Hot and sharp tools

#### Risk of injury

- ▶ Do not use any blunt or faulty insertion tools.
- ▶ Wear protective gloves.
- ▶ Carefully remove the protective resin from the cutting edge of new tools.



### CAUTION

#### Tools that are not supplied or recommended by Festool.

#### Damage to machine caused by increased vibration load

#### Risk of injury and harm to health

- ▶ Always use original Festool tools.



### CAUTION

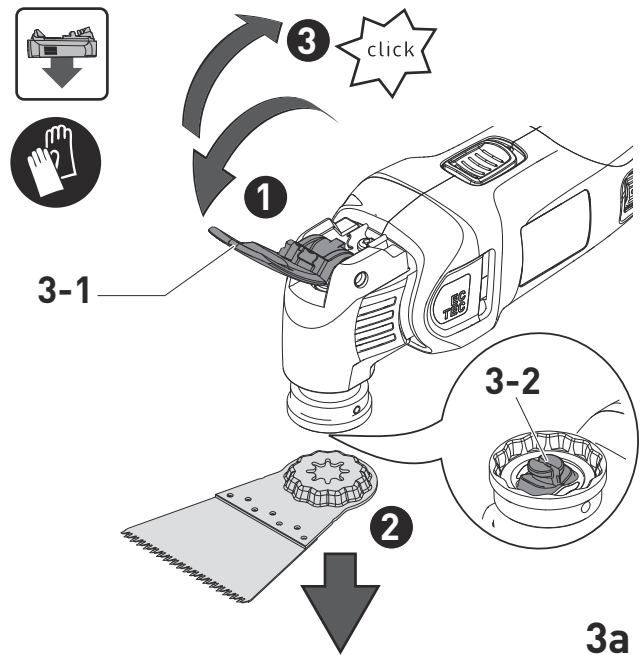
#### Risk of crushing hands and fingers

If you switch on the insertion tool when the clamping lever is open, the clamping lever is closed by a spring force. Open clamping jaws are spring-loaded.

- ▶ Never switch on the power tool with the clamping lever open.
- ▶ Never reach into the area around the clamping jaws.

### Removing the insertion tool [3a]

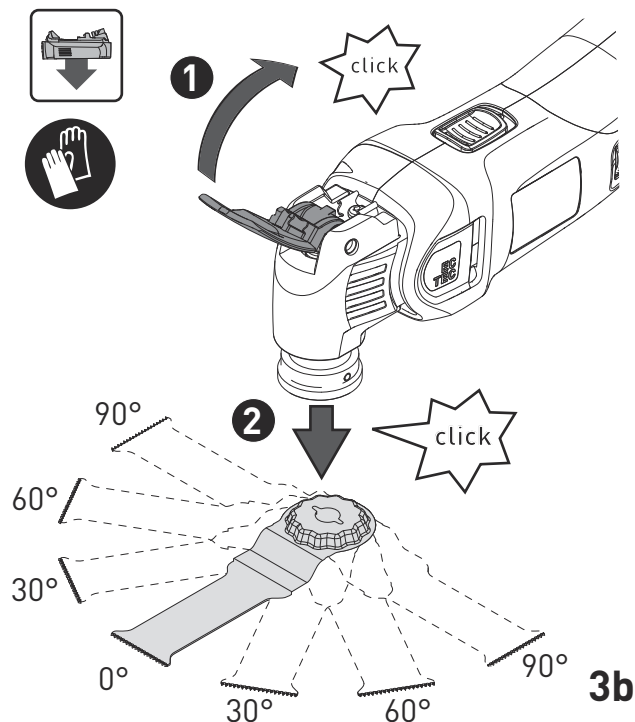
- ▶ Open the clamping lever [3-1].  
*The insertion tool drops down.*
  - ▶ Close the clamping lever until it clicks into place.
- ⓘ If the power tool switches on without the insertion tool, the clamping jaws [3-2] may open. This makes a popping sound.



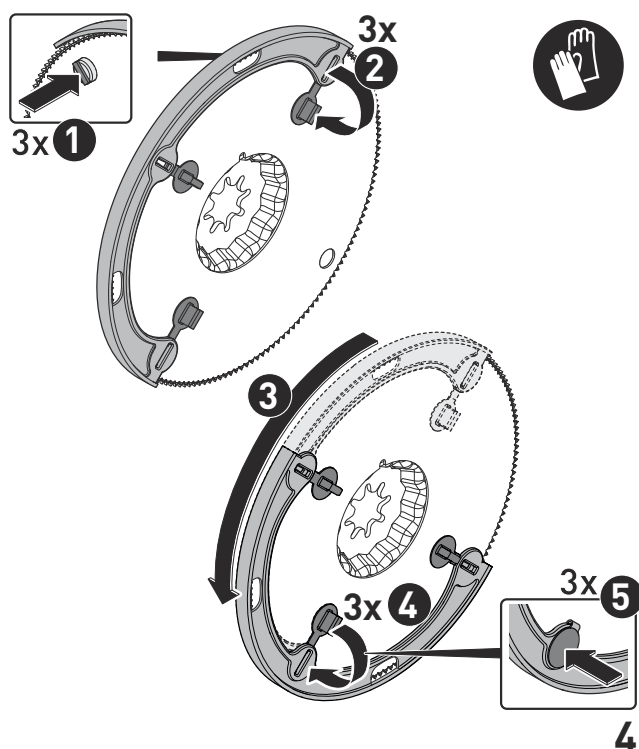
### Inserting the insertion tool [3b]

If the clamping jaws [3-2] are open, open and close the clamping lever [3-1].

- ▶ Close the clamping lever until it clicks into place.
- ▶ Push the device onto the tool until it clicks into place.



- i** The tool can be offset in 30° increments and secured in the most effective working position.
- i** The protection (against accidental contact) on the saw blade may become twisted if wear has occurred, see fig. [4]



## 10 Working with the machine

### Observe the following information:

- Only guide the power tool towards the workpiece when it is switched on.
- A significant increase in the force required to advance the machine and slow working

progress are indicators that the blades are worn.

- **Hold the power tool by the gripping surface [1-3] with both hands to ensure safe guidance. Do not cover the cooling air openings [1-4] with your hand.** Otherwise there is a risk of the machine overheating.
- Do not hold the power tool by the battery pack.
- Always secure the workpiece in such a way that it cannot move during machining.

## 11 Acoustic warning signals

If the power tool switches off due to one of the following operating states, a warning signal sounds when switching on the tool and the power tool switches off again.

### Battery pack not accepted

- Insert the correct battery pack model.

### Battery pack empty

- Change the battery pack.
- Charge the battery pack.

### Battery pack fault

- Change the battery pack.
- Use the charger to check that the battery pack is fully functional once it has cooled down.

### Battery pack overheated

- Let the battery pack cool down.

### Power tool overheated

- You must allow the power tool to cool down before starting it up again.

### Power tool fault

- Contact a Festool service workshop or specialist dealer.

### Power tool jammed

- Eliminate the cause of the jam.

- i** If the power tool switches off when it becomes jammed, no warning signal sounds.

## 12 Accessories



### WARNING

#### Risk of injury

- Remove the battery pack from the power tool before performing any work on the power tool.

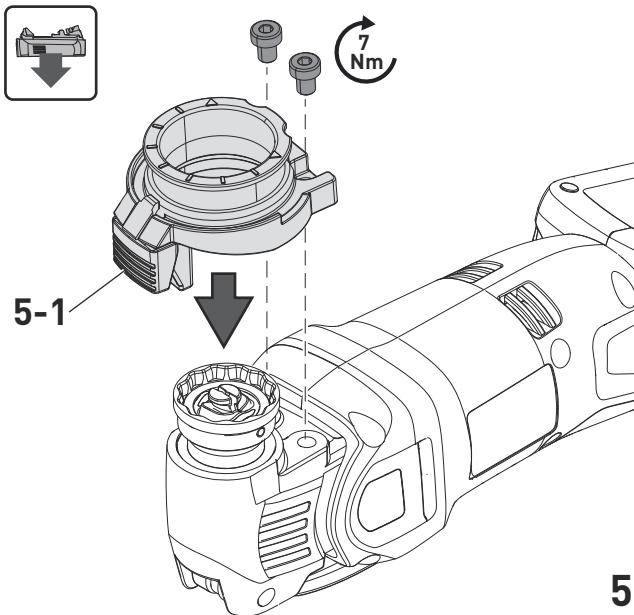
Use only original Festool accessories and Festool consumable material intended for this machine. These components are designed specifically for this machine. Using accessories and consumable material from other suppliers

will most likely affect the quality of your results and limit warranty claims. Machine wear or your own personal workload may increase depending on the application. Protect yourself and your machine, and preserve your warranty claims by always using original Festool accessories and Festool consumable material!

The order numbers of the accessories and tools can be found in the Festool catalogue or on the Internet under "www.festoolusa.com".

### 12.1 Mounting the adapter [5]

A depth stop, dust extraction device and positioning aid can be mounted on the adapter. Using the detent button [5-1], these can be offset in 30° increments in line with the tool.



### 12.2 Dust extraction



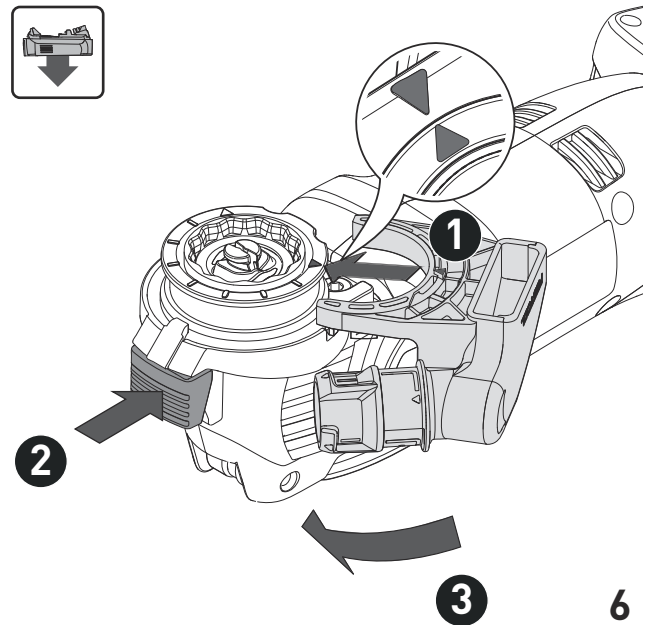
#### WARNING

##### Health hazard posed by dust

- ▶ Only use a dust extractor designed to collect the specific type of dust and particles from the material being cut.
- ▶ Follow OSHA and NFPA regulations to ensure a safe work environment.

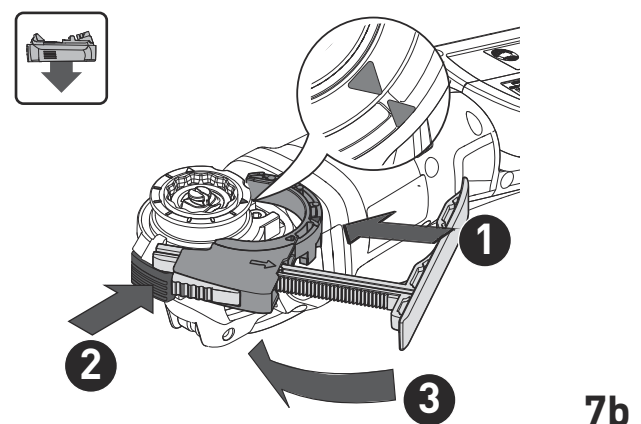
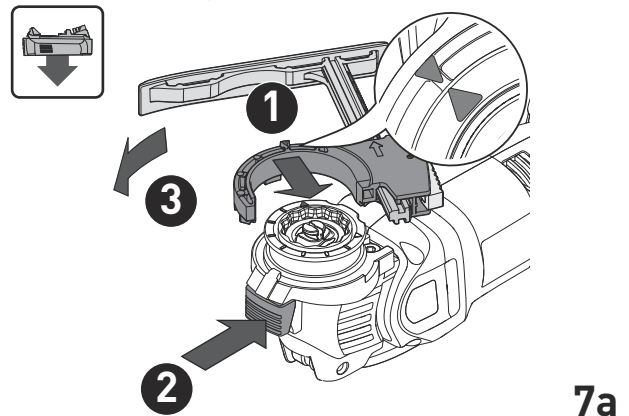
##### Dust extraction device [6]

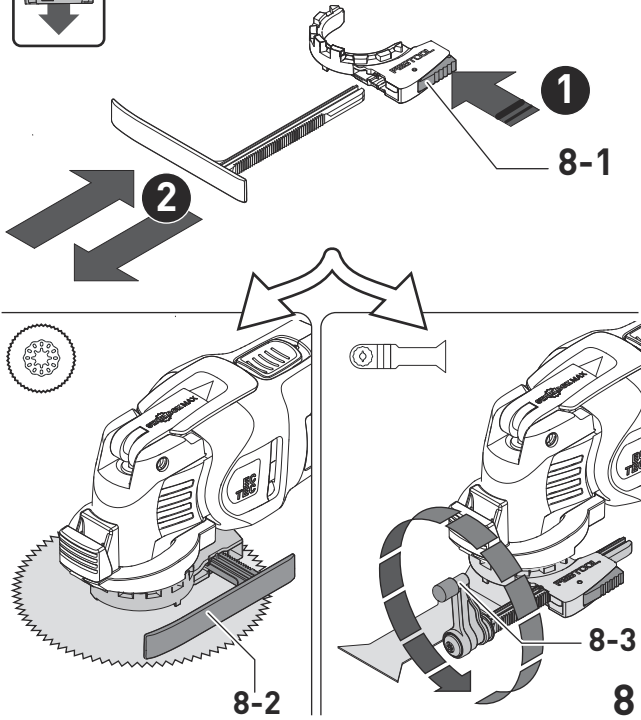
- ▶ Mount the adapter [5].
- ▶ Attach the dust extraction device.
- ▶ Connect the suction hose.



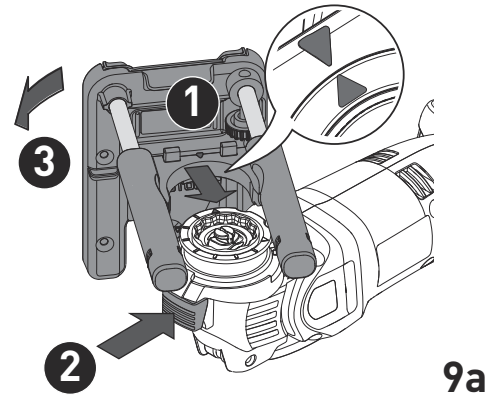
### 12.3 Depth stop [7+8]

- ▶ Mount the adapter [5].
- ▶ Attach the depth stop – [7a] or [7b].
- ▶ Engage the adjusting lever [8-1] to set the cutting depth.





- ▶ Attach the positioning aid – [9a] or [9b].
  - ▶ First place the application tool on the saw blade guide [10-1], then push it into the holder [10-2] until it engages. This is necessary to ensure that the application tool is positioned correctly on the saw blade guide.
  - ▶ Adjust the cutting depth [11-1].
- Always tighten the cutting depth adjustment [11-1].



**i** Select the correct depth stop for the tool and replace if necessary:



Round tools Sliding shoe [8-2]



Cutting blade Rotary depth stop [8-3]

## 12.4 Positioning aid [9+10+11+12]



### WARNING

#### Sharp tools

#### Pinching and cutting injuries

- ▶ Always rest your fingers on the defined gripping surfaces [11-2].
- ▶ Always use the saw blades indicated in Fig. [11a]. Do not use short saw blades.



### WARNING

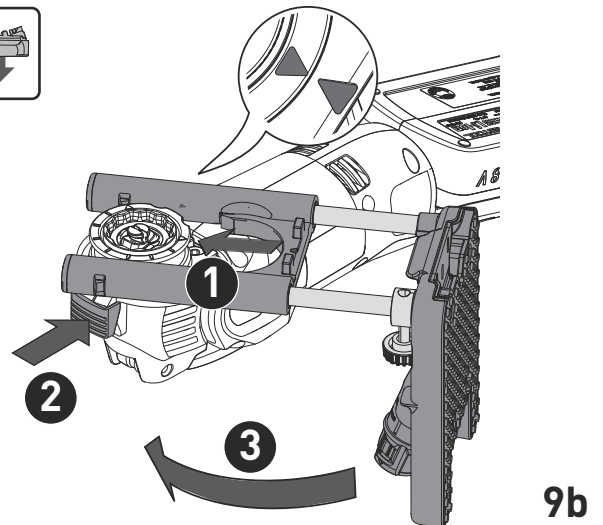
#### Risk of accident, electric shock

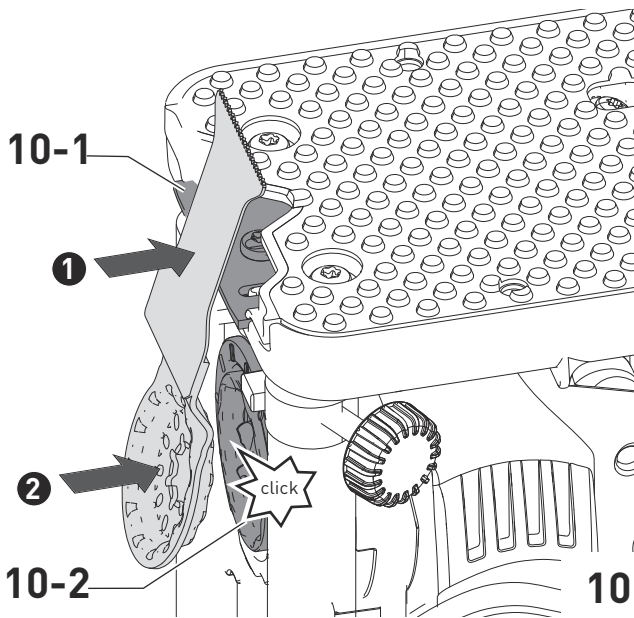
**If the tool comes into contact with live cables, an electric current may be diverted through metal components in the tool and result in electric shock.**

- ▶ Hold the power tool by the insulated gripping surfaces when performing work that may pose a risk of cutting into hidden power cables.

### Using the positioning aid

- ▶ Mount the adapter [5].

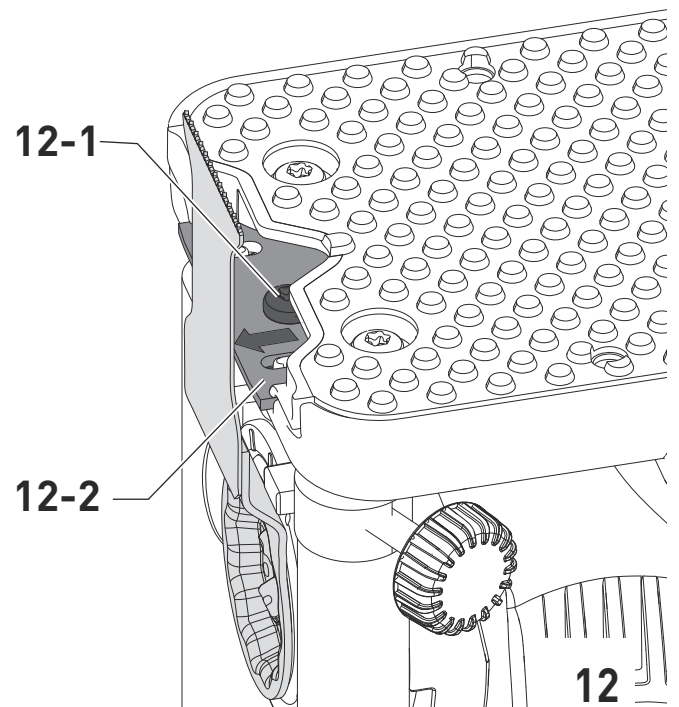
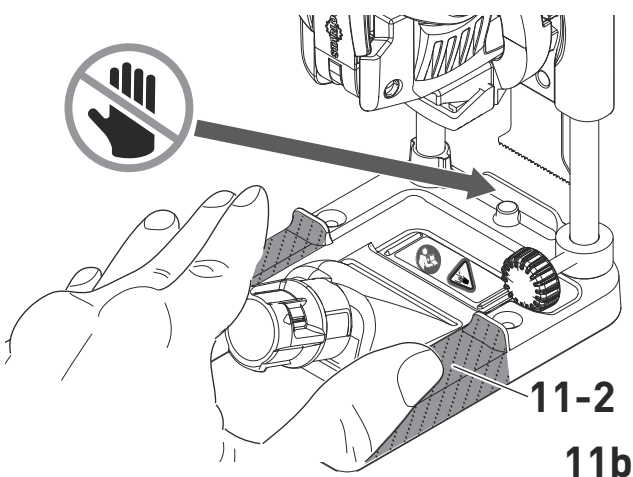
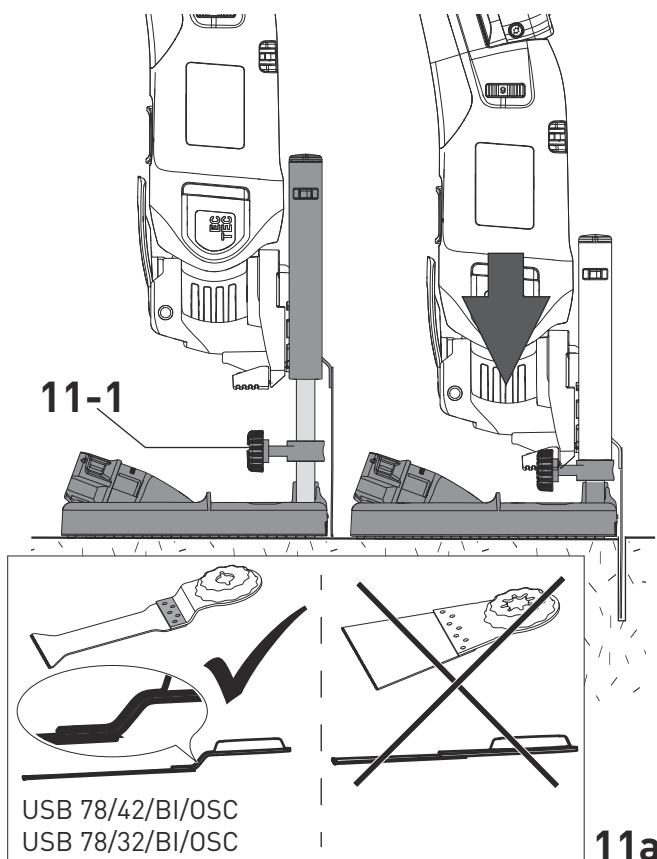




### Readjusting the saw blade guide

First check to ensure that the application tool has been inserted in the correct order (see figure [10]). If the saw blade is still not positioned on the saw blade guide, take the following steps:

- ▶ Set the cutting depth [11-1] to the maximum depth. Tighten the cutting depth adjustment [11-1].
- ▶ Loosen the screw [12-1] on the saw blade guide [12-2].
- ▶ Move the saw blade guide to the saw blade.
- ▶ Tighten the screw [12-1] on the saw blade guide.



## 12.5 SYSTAINER

### Systainer

Many Festool products are shipped in a unique system container, called "Systainer". This provides protection and storage for the tool and accessories. The Systainers are stackable and can be interlocked together. They also can be interlocked atop Festool CT dust extractors.

#### To open the Systainer



Turn the T-loc [SYS-b-1] to this position.

#### To lock the Systainer



Turn the T-loc [SYS-b-1] to this position.

#### To connect two Systainers

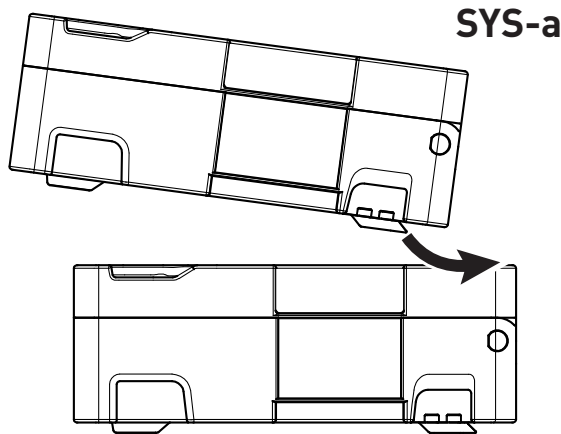
Place one Systainer on the top of the other (Fig. [SYS-a]).



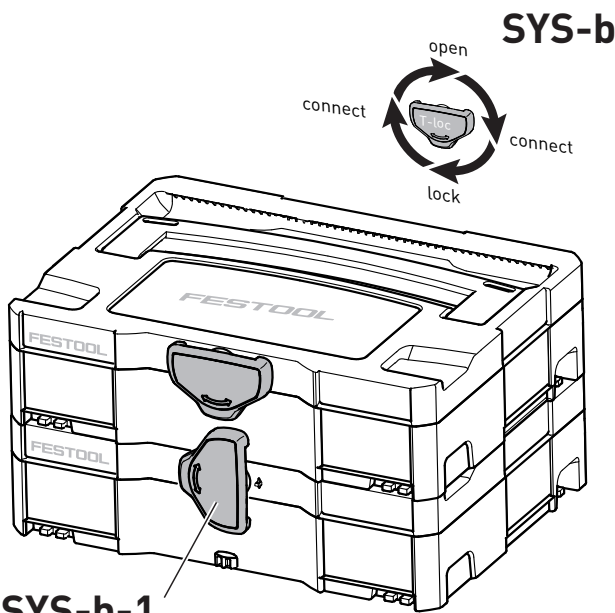
Turn the T-loc **[SYS-b-1]** to one of this positions (Fig. **[SYS-b]**).

The Systainers are connected and locked.

- i** A new generation Systainer is connectable on top of a previous generation Systainer by the four latches of the previous Systainer.



**SYS-a**



**SYS-b**

**SYS-b-1**

## 13 Service and maintenance



### WARNING

#### Risk of injury, electric shock

- Always disconnect the battery pack from the machine before any cleaning or maintenance!



### WARNING

**Any maintenance or repair work that requires opening of the motor or gear housing should only be carried out by an authorised Customer Service Centre (name supplied by your dealer)!**

- Maintenance or repair work carried out by an unauthorised person can lead to the wrong connection of the power cord or other components, which in turn can lead to accidents with serious consequences.



### CAUTION

**Certain cleaning agents and solvents are harmful to plastic parts.**

- Some of these include, but are not limited to: Gasoline, Acetone, Methyl Ethyl Ketone (MEK), Carbonyl Chloride, cleaning solutions containing Chlorine, Ammonia, and household cleaners containing Ammonia.



**Customer service and repairs** must only be carried out by the manufacturer or service workshops. Find the nearest address at:  
[www.festoolusa.com/service](http://www.festoolusa.com/service)



Always use original Festool spare parts. Order no. at:  
[www.festoolusa.com/service](http://www.festoolusa.com/service)

To ensure constant air circulation, always keep the cooling air openings in the motor housing clean and free of blockages.

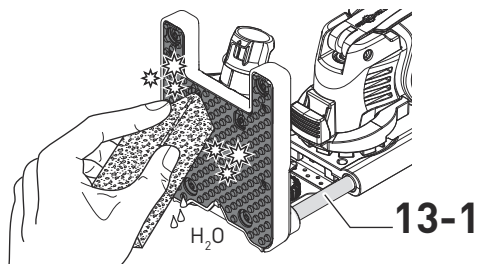
Keep the contacts on the power tool, charger and battery pack clean.

When machining materials that contain gypsum, dust deposits may build up inside the power tool and on the on/off switch and harden when exposed to humidity. This may impair the switching mechanism. After each machining process, blow out the inside of the power tool through the vents and the on/off switch using dry, oil-free compressed air.

#### 13.1 Information on the positioning aid

Clean any dust deposits from guides **[13-1]** and contact surfaces. Oil the guides regularly and lightly with resin-free oil (e.g. sewing machine oil).





13

Check all warnings on the electric power tool for readability and completeness. Replace missing or illegible warnings.

## 14 Environment

**Do not dispose of the device together with domestic waste!** Dispose of machines, accessories and packaging at an environmentally responsible recycling centre. Observe the valid national regulations.

### Battery Disposal



#### WARNING

##### Risk of fire or injury

- ▶ Do not attempt to disassemble the battery or remove any component projecting from the battery terminals.
- ▶ Prior to disposal, protect exposed terminals with heavy insulating tape to prevent shorting.

## Sommaire

1	Symboles.....	18
2	À propos de ce manuel.....	18
3	Consignes de sécurité.....	19
4	Utilisation conforme.....	22
5	Caractéristiques techniques.....	22
6	Éléments de l'appareil.....	23
7	Mise en service.....	23
8	Batterie.....	23
9	Réglages.....	23
10	Utilisation de l'appareil.....	25
11	Signaux d'avertissement sonores.....	25
12	Accessoires.....	25
13	Entretien et maintenance.....	29
14	Environnement.....	30

## 1 Symboles

-  Avertit d'un danger général
-  Avertit d'un risque de décharge électrique
-  Lire le mode d'emploi et les consignes de sécurité !
-  Porter des lunettes de protection !
-  Porter une protection auditive !
-  Porter une protection respiratoire !
-  Porter des gants de protection !
-  Risque d'écrasement des doigts et des mains !
-  Zone de danger ! Ne pas mettre les mains !
-  Insérer la batterie
-  Dégager la batterie
-  Ne pas jeter avec les ordures ménagères.
-  Conseil, information
-  Instruction
- V Volt

- rpm
- min<sup>-1</sup> Tours ou course par minute
- tr/mi
- n
- kg kilogramme
- lb. livre
- ° degré angulaire






**ATTENTION** À utiliser seulement avec les batteries FESTOOL BP 18

## 2 À propos de ce manuel

### Conservez ces instructions

Il est important pour vous de lire et de comprendre ce manuel. Les informations qu'il contient, se rapporte à la protection **de votre sécurité** et **de prévention des problèmes**. Les symboles suivants sont utilisés pour vous aider à reconnaître cette information.

	<b>DANGER</b>	Description du risque imminent et l'incapacité à éviter tout risque qui peut entraîner la mort.
	<b>AVERTISSEMENT</b>	Description des dangers possibles et des blessures qui en résultent ou la mort.
	<b>ATTENTION</b>	Description des dangers et des éventuelles blessures qui en résultent.
	<b>AVIS</b>	Description des dommages potentiels sur l'appareil ou dans son environnement.

## 3 Consignes de sécurité

### 3.1 Consignes générales de sécurité pour outils électroportatifs



**AVERTISSEMENT !** Veuillez lire toutes les consignes de sécurité, instructions, illustrations et caractéristiques techniques qui accompagnent le présent outil électroportatif.

Des négligences relatives aux instructions suivantes peuvent occasionner un choc électrique, un incendie et/ou des blessures graves.

**Conserver l'ensemble des consignes de sécurité et des instructions afin de pouvoir les consulter ultérieurement.**

Le terme « outil électroportatif » utilisé dans les consignes de sécurité se rapporte aux outils électroportatifs fonctionnant sur secteur (avec câble) et aux outils électroportatifs fonctionnant sur batterie (sans câble).

#### 1 SÉCURITÉ DU POSTE DE TRAVAIL

- Veillez à ce que la zone de travail soit propre et bien éclairée.** Un poste de travail en désordre ou mal éclairé peut entraîner des accidents.
- Ne vous servez pas de l'outil électroportatif dans un environnement où il y a un risque d'explosion dû à la présence de liquides inflammables, de gaz ou de poussières.** Les outils électroportatifs peuvent générer des étincelles susceptibles d'enflammer la poussière ou les vapeurs.
- Éloignez les enfants et d'autres personnes pendant l'utilisation de l'outil électroportatif.** Si vous êtes distrait, vous pouvez perdre le contrôle de l'outil électroportatif.

#### 2 SÉCURITÉ ÉLECTRIQUE

- Le connecteur de l'outil électroportatif doit correspondre à la prise électrique. Le connecteur ne doit être modifié d'aucune façon. N'utilisez pas d'adaptateur avec des outils électroportatifs mis à la terre.** Des connecteurs intacts et des prises correspondantes diminuent le risque d'un choc électrique.
- Évitez tout contact avec des surfaces mises à la terre telles que des tuyaux, chauffages, cuisinières et réfrigérateurs.** Un risque élevé de choc électrique existe si votre corps est relié à la terre.
- Protégez les outils électroportatifs de la pluie et de l'humidité.** L'infiltration d'eau dans un outil électroportatif augmente le risque de choc électrique.

- Ne détournez pas l'utilisation du câble de raccordement pour porter l'outil électroportatif, l'accrocher ou pour tirer le connecteur de la prise. Éloignez le câble de la chaleur, de l'huile, de bords tranchants ou de pièces en mouvement.** Des câbles de raccordement endommagés ou enchevêtrés augmentent le risque de choc électrique.
- Si vous travaillez avec un outil électroportatif à l'extérieur, utilisez uniquement des rallonges prévues pour l'extérieur.** L'utilisation d'un câble prévu pour l'extérieur diminue le risque d'un choc électrique.
- Utilisez un disjoncteur à courant de défaut quand le fonctionnement de l'outil électroportatif en environnement humide ne peut pas être évité.** L'utilisation d'un disjoncteur à courant de défaut diminue le risque d'un choc électrique.

#### 3 SÉCURITÉ DES PERSONNES

- Soyez attentif à ce que vous faites, faites preuve de bon sens lorsque vous travaillez avec l'outil électroportatif. N'utilisez pas l'outil électroportatif si vous êtes fatigué ou si vous êtes sous l'influence de drogues, de l'alcool ou de médicaments.** Un moment d'inattention lors de l'utilisation de l'outil électroportatif peut entraîner des blessures graves.
- Portez un équipement de protection individuelle et des lunettes de protection en permanence.** Le port d'un équipement de protection individuelle tel que masque contre la poussière, chaussures de sécurité antidérapantes, casque ou protection auditive, en fonction du type et de l'utilisation de l'outil électroportatif, diminue le risque de blessures.
- Évitez toute mise en service involontaire. Assurez-vous que l'outil électroportatif est déconnecté avant de le raccorder à l'alimentation électrique et/ou à la batterie, avant de le soulever ou de le porter.** Si, en portant l'outil électroportatif, vous avez le doigt sur l'interrupteur ou si vous raccordez l'outil électroportatif connecté à l'alimentation électrique, cela peut entraîner des accidents.
- Retirez les outils de réglage ou les clés anglaises avant de connecter l'outil électroportatif.** Un outil ou une clé qui se trouve dans une partie de l'outil électroportatif en rotation peut entraîner des blessures.

- e. **Évitez toute position de travail anormale. Veillez à maintenir une position stable et un bon équilibre à tout moment.** Vous pourrez ainsi à tout moment contrôler l'outil électroportatif dans des situations inattendues.
- f. **Portez des vêtements adaptés. Ne portez pas de vêtements amples ou de bijoux. Éloignez vos cheveux et vos vêtements des pièces en mouvement.** Des vêtements amples, des bijoux ou des cheveux longs pourraient se prendre dans les pièces en mouvement.
- g. **Si des dispositifs d'aspiration et de récupération des poussières peuvent être montés, raccordez-les et utilisez-les correctement.** L'utilisation d'une aspiration des poussières peut diminuer les dangers dus aux poussières.
- h. **Ne vous croyez pas faussement en sécurité et n'enfreignez pas les règles de sécurité destinées aux outils électroportatifs, même si vous maîtrisez l'outil électroportatif après de multiples utilisations.** Un manque d'attention peut en un quart de seconde entraîner de graves blessures.

#### 4 UTILISATION ET TRAITEMENT DE L'OUTIL ÉLECTROPORTATIF

- a. **Ne surchargez pas l'outil électroportatif. Utilisez l'outil électroportatif destiné à votre travail.** L'outil électroportatif adapté vous permet de travailler mieux et avec plus de sécurité dans la plage de puissance indiquée.
- b. **N'utilisez aucun outil électroportatif dont l'interrupteur serait défectueux.** Un outil électroportatif qui ne peut plus être mis en marche ou arrêté est dangereux et doit être réparé.
- c. **Débranchez le connecteur de la prise de courant et/ou retirez une batterie amovible avant d'effectuer des réglages sur l'appareil, de remplacer des pièces d'outil ou de déposer l'outil électroportatif.** Cette mesure de précaution empêche un démarrage involontaire de l'outil électroportatif.
- d. **Rangez toujours les outils électroportatifs inutilisés hors de portée des enfants. Ne laissez aucune personne à laquelle vous ne faites pas confiance ou qui n'a pas lu ces consignes se servir de l'outil électroportatif.** Les outils électroportatifs sont dangereux lorsqu'ils sont utilisés par des personnes inexpérimentées.

- e. **Prenez soin de vos outils électroportatifs et outils. Vérifiez que les parties mobiles fonctionnent sans problème, qu'elles ne coincent pas et qu'il n'y a pas de parties cassées ou endommagées qui pourraient entraver le bon fonctionnement de l'outil électroportatif. Faites réparer les parties endommagées avant d'utiliser l'outil électroportatif.** De nombreux accidents sont dus à un mauvais entretien des outils électroportatifs.
- f. **Maintenez les outils de coupe affûtés et propres.** Des outils de coupe entretenus avec soin dotés de bords de coupe affûtés se coincent moins et sont plus faciles à utiliser.
- g. **Utilisez l'outil électroportatif, les outils, etc. en respectant ces instructions. Tenez compte des conditions de travail et de la tâche à effectuer.** L'utilisation des outils électroportatifs pour d'autres applications que celles prévues peut entraîner des situations dangereuses.
- h. **Veillez à ce que les poignées et surfaces des poignées soient sèches, propres et exemptes d'huile ou de graisse.** Des poignées et surfaces de poignées glissantes ne permettent pas une utilisation en toute sécurité ni un contrôle de l'outil électroportatif dans des situations imprévues.

#### 5 UTILISATION ET TRAITEMENT DE L'OUTIL SANS FIL

- a. **Rechargez les batteries uniquement dans les chargeurs recommandés par le fabricant.** Un chargeur destiné à un certain type de batteries peut prendre feu s'il est utilisé avec d'autres batteries.
- b. **Utilisez uniquement les batteries prévues dans les outils électroportatifs.** L'utilisation d'autres batteries peut entraîner des blessures et un risque d'incendie.
- c. **Éloignez la batterie non utilisée des trombones, pièces de monnaie, clés, clous, vis ou tout autre objet métallique qui pourraient causer un pontage des contacts.** Un court-circuit entre les contacts de la batterie peut causer des brûlures ou un incendie.
- d. **En cas d'utilisation erronée, il est possible que du liquide s'écoule de la batterie. Éviter tout contact avec celui-ci. En cas de contact accidentel, rincer avec de l'eau. Si le liquide pénètre dans les yeux, consultez en plus un médecin.** Le liquide s'écoulant

de la batterie peut causer des irritations cutanées ou des brûlures.

- e. **N'utilisez pas de batterie endommagée ou modifiée.** Des batteries endommagées ou modifiées peuvent causer des réactions inattendues et provoquer un incendie, une explosion ou des blessures.
- f. **N'exposez pas une batterie au feu ou à des températures élevées.** Le feu ou des températures supérieures à 130 °C peuvent provoquer une explosion.
- g. **Suivez toutes les instructions pour le chargement et ne chargez jamais la batterie ou l'outil sans fil hors de la plage de température indiquée dans la notice d'utilisation.** Un chargement erroné ou hors de la plage de température autorisée peut détruire la batterie et augmenter le risque d'incendie.

## 6 SERVICE

- a. **Faites réparer votre outil électroportatif uniquement par un personnel qualifié ; les réparations doivent être effectuées avec des pièces d'origine uniquement,** afin de garantir la fiabilité de l'outil électroportatif.
- b. **N'entretenez jamais de batteries endommagées.** Seul le fabricant ou des ateliers de service après-vente agréés doivent réaliser l'ensemble de la maintenance des batteries.
- c. **Pour la réparation et l'entretien, n'utilisez que des pièces d'origine.** L'utilisation d'accessoires ou de pièces détachées non adaptés risque de provoquer une électrocution ou des blessures.

**Respecter la notice d'utilisation du chargeur et de la batterie.**

### 3.2 Consignes de sécurité spécifiques à l'appareil

- **Si l'outil monté pourrait entrer en contact avec des conduites électriques invisibles, tenez l'outil électroportatif à l'aide des poignées isolées.** Le contact avec un câble sous tension peut également mettre des pièces métalliques de l'appareil sous tension et provoquer une décharge électrique.
- **Fixez et bloquez la pièce sur un support stable au moyen de serre-joints ou d'autres accessoires.** Si vous maintenez la pièce uniquement avec la main ou la bloquez uniquement contre votre corps, elle reste instable, ce qui peut conduire à une perte de contrôle.

- **Utilisez des appareils de détection appropriés pour repérer les câbles d'alimentation invisibles ou consultez l'entreprise de distribution locale.** Le contact de l'outil monté avec un câble sous tension peut provoquer un feu ou une décharge électrique. Une conduite de gaz endommagée peut provoquer une explosion. Le perçage dans une conduite d'eau provoque des dégâts matériels.
- **Au cours du travail, des poussières nocives/toxiques peuvent être générées (comme les poussières de peintures au plomb ou certaines poussières de bois ou de métal). Seuls les spécialistes doivent traiter les matériaux en amiante.** Le contact ou l'inhalation de ces poussières peut présenter un danger pour l'utilisateur ou les personnes se trouvant à proximité. Veuillez respecter les prescriptions de sécurité en vigueur dans votre pays.



Pour votre santé, portez un masque de protection respiratoire de classe P2.



- **Portez un équipement de protection individuelle approprié :** une protection auditive, des lunettes de protection, un masque anti-poussière lors des travaux impliquant un dégagement de poussière et des gants de protection dans le cas des matériaux rugueux et lors du changement d'outil.
- **Tenir l'outil électroportatif bien en main de sorte que votre corps ne soit jamais en contact avec l'outil, en particulier lors de travaux avec des outils dirigés vers la zone de préhension, tels que des lames de scie ou des outils de coupe.** Le contact d'arêtes vives ou de chants peut provoquer des blessures graves.
- **Après l'usinage de matériaux contenant du plâtre : Nettoyez les ouvertures de ventilation de l'outil électroportatif et de l'interrupteur marche/arrêt avec de l'air comprimé sec et sans huile.** Sinon, de la poussière contenant du plâtre peut se déposer dans le boîtier de l'outil électroportatif de même que sur l'interrupteur marche/arrêt, puis durcir sous l'effet de l'humidité de l'air. Ceci peut compromettre le bon fonctionnement du mécanisme de commutation

- **Attendez que l'outil électroportatif soit complètement immobilisé avant de le déposer.** L'outil monté peut s'accrocher et provoquer une perte de contrôle de l'outil électroportatif.
- **Ne pas faire fonctionner l'outil électroportatif sans fil avec des blocs d'alimentation secteur ou avec des batteries d'autres fabricants. Ne pas utiliser de chargeurs d'autres fabricants pour recharger la batterie.** L'utilisation d'accessoires autres que ceux prévus par le fabricant peut provoquer une décharge électrique et/ou des accidents graves.
- **Ne pas utiliser l'outil électroportatif sous la pluie ou dans un environnement humide.** L'humidité dans l'outil électroportatif peut causer un court-circuit et provoquer un incendie.

### 3.3 Travail sur métaux



Pour des raisons de sécurité, respectez les mesures suivantes lorsque vous travaillez sur des métaux :

- Raccordez l'outil à un aspirateur approprié.
- Nettoyez régulièrement par soufflage les dépôts de poussières accumulés dans le carter moteur.



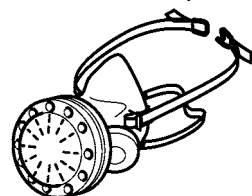
Porter des lunettes de protection !

### 3.4 La poussière, un risque pour la santé



**AVERTISSEMENT!** certaines poussières créées par le ponçage mécanique, le sciage, le meulage, le perçage et autres activités reliées à la construction contiennent des substances chimiques connues (dans l'État de la Californie) comme pouvant causer le cancer, des anomalies congénitales ou représenter d'autres dangers pour la reproduction. Voici quelques exemples de telles substances:

- plomb provenant de peintures à base de plomb,
- silice cristallisée utilisée dans les briques, le ciment et autres matériaux de maçonnerie, et
- arsenic et chrome du bois d'oeuvre traité avec un produit chimique.



Le risque d'exposition à de tels produits varie selon la fréquence à laquelle vous faites ce genre de travail. Pour réduire les risques d'exposition à ces substances chimiques : travaillez dans un endroit adéquatement ventilé et utilisez un équipement de sécurité approuvé, tel que masques antipoussières spécialement conçus pour filtrer les particules microscopiques.



## AVERTISSEMENT

**POUR RÉDUIRE LE RISQUE DE DOMMAGES, L'UTILISATEUR DOIT LIRE LE MANUEL D'INSTRUCTION.**

## 4 Utilisation conforme

Scie oscillante sans fil guidée à la main convient pour

- Sciage de bois, plastique, plastique renforcé aux fibres de verre, placoplâtre et pour scier des tôles (max. 1 mm),
- Séparation des joints de carrelage et du mastic de fenêtre,
- racler des restes de moquettes ainsi que pour découper des produits d'étanchéité élastiques,
- à l'abri des intempéries,
- avec les outils et accessoires proposés par Festool.
- pour l'utilisation avec les batteries Festool de la série BP de catégorie de tension identique.

**Ne convient pas** pour l'enlèvement de vitres de voitures particulières, camions et bus et la rénovation de joints en béton.



L'utilisateur est responsable des dommages provoqués par une utilisation non conforme.

## 5 Caractéristiques techniques

Outil oscillant sans fil	OSC 18
Tension du moteur	18 V
Vitesse de rotation	10000 - 19500 tr/min
Angle d'oscillation	2 x 2,0°
Porte-outil Compatible avec	Starlock- Max Starlock- Max/Star- lockPlus/ Starlock

Outil oscillant sans fil	OSC 18
Compatible avec les batteries de la série	BP 18
Poids selon la procédure EPTA 01:2014 :	3.5 lbs (1.6 kg)

## 6 Éléments de l'appareil

- [1-1] Levier de serrage pour changement d'outil
- [1-2] Interrupteur marche/arrêt
- [1-3] Surface de préhension
- [1-4] Ouïes de ventilation
- [1-5] Affichage de capacité
- [1-6] Touche témoin de charge de la batterie
- [1-7] Touche d'extraction de la batterie
- [1-8] Batterie
- [1-9] Régulation de la vitesse
- [1-10] Outil
- [1-11] Adaptateur\*
- [1-12] Butée de profondeur avec guide parallèle\*
- [1-13] Butée de profondeur orientable
- [1-14] Dispositif d'aspiration\*
- [1-15] Aide au positionnement\*

\* Les accessoires illustrés ou décrits ne font pas tous partie des éléments livrés.

Des éléments fournis sont disponibles sur le volet qui se trouve au début de cette notice d'utilisation. Vous pouvez ainsi déplier cette page et visualiser en permanence les différentes parties de l'outil lorsque vous lisez la notice.

## 7 Mise en service

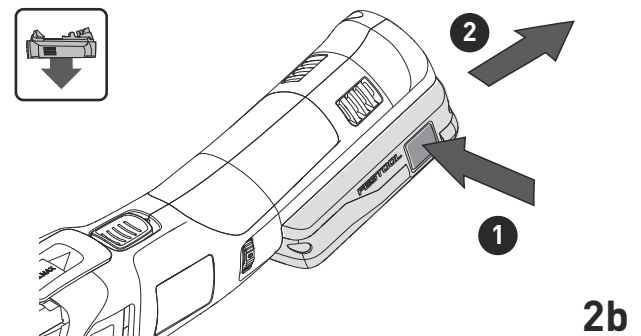
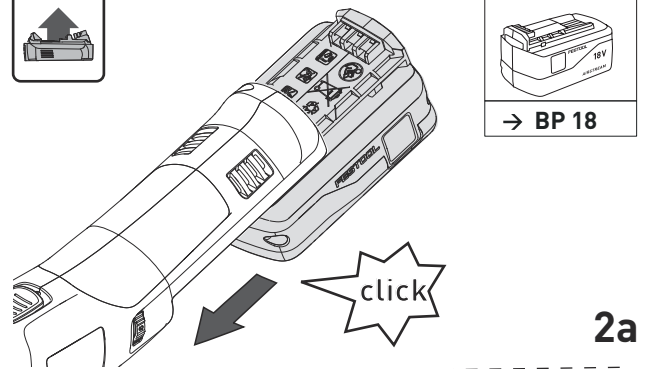
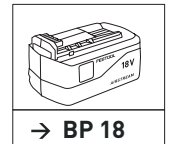
### 7.1 Mise en marche/à l'arrêt

Le commutateur [1-2] sert d'interrupteur MARCHE/ARRÊT (I = MARCHE, 0 = ARRÊT).

- ⓘ Si la batterie est vide, qu'une panne de courant se produit ou que la prise secteur est débranchée, mettre immédiatement l'interrupteur marche/arrêt en position d'arrêt. Ceci permet d'éviter tout redémarrage intempestif.

## 8 Batterie

- ▶ Insérer la batterie [2a]
- ▶ Retirer la batterie [2b]



### 8.1 Affichage de capacité

L'affichage de capacité [1-5] indique à l'actionnement de la touche [1-6] le niveau de charge de la batterie pendant env. 2 s :

	70-100 %
	40-70 %
	15-40 %
	< 15 % *

\* **Recommandation** : recharger la batterie avant de continuer à utiliser l'appareil.

- ⓘ Vous trouverez des informations supplémentaires sur le chargeur et la batterie à l'indicateur de charge dans les notices d'utilisation de ces deux éléments.

## 9 Réglages



### AVERTISSEMENT

#### Risque de blessures

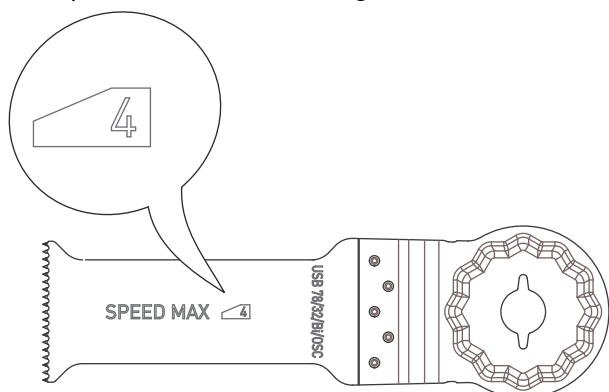
- ▶ Retirer la batterie de l'outil électroportatif avant toute intervention sur ce dernier.

### 9.1 Régulation de la vitesse

La molette permet un réglage progressif dans la plage de vitesse (voir chapitre Caractéristi-

ques techniques). Vous pouvez ainsi adapter de façon optimale la vitesse à chaque matériau. Respecter aussi les consignes indiquées sur les outils.

Si un outil ne peut être utilisé que jusqu'à un régime maximal, le régime maximal doit être indiqué sur l'outil (voir figure ).



## 9.2 Remplacement de l'outil



### ATTENTION

**Outil chaud et tranchant**

**Risque de blessures**

- ▶ Ne pas monter d'outils émoussés ou défectueux.
- ▶ Porter des gants de protection.
- ▶ Retirer avec précaution la résine protectrice de la lame des nouveaux outils !



### ATTENTION

**Risques de blessures et effets nocifs sur la santé en utilisant des outils qui ne sont ni prévus ni recommandés par Festool.**

**Dommages de l'outil dus à des vibrations supplémentaires**

- ▶ Utiliser uniquement des outils d'origine Festool.



### ATTENTION

**Risque d'écrasement des mains et des doigts**  
Si vous mettez l'outil électroportatif en marche quand le levier de serrage est ouvert, celui-ci est fermé à la force du ressort. Les mâchoires de serrage ouvertes sont sous tension de ressort.

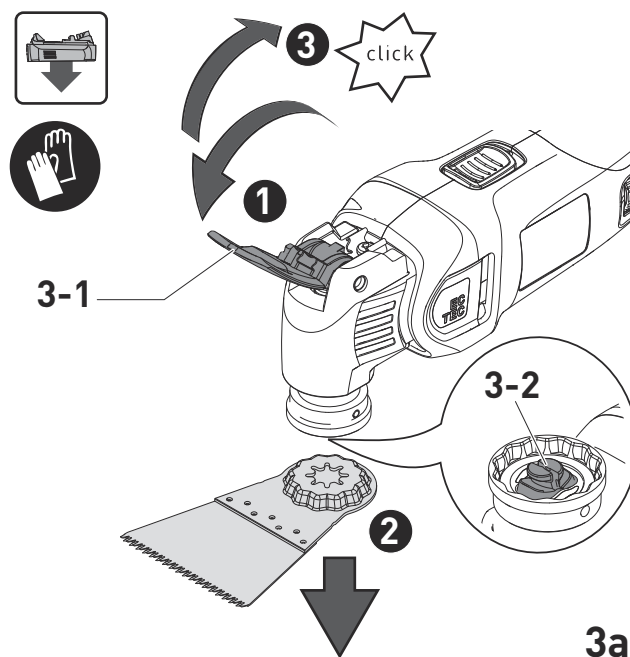
- ▶ Ne jamais enclencher l'outil électroportatif avec le levier de serrage ouvert.
- ▶ Ne jamais mettre la main dans la zone des mâchoires de serrage.

### Retirer l'outil [3a]

- ▶ Ouvrir le levier de serrage [3-1].  
*L'outil tombe en bas.*

- ▶ Fermer le levier de serrage jusqu'à ce qu'il se verrouille.

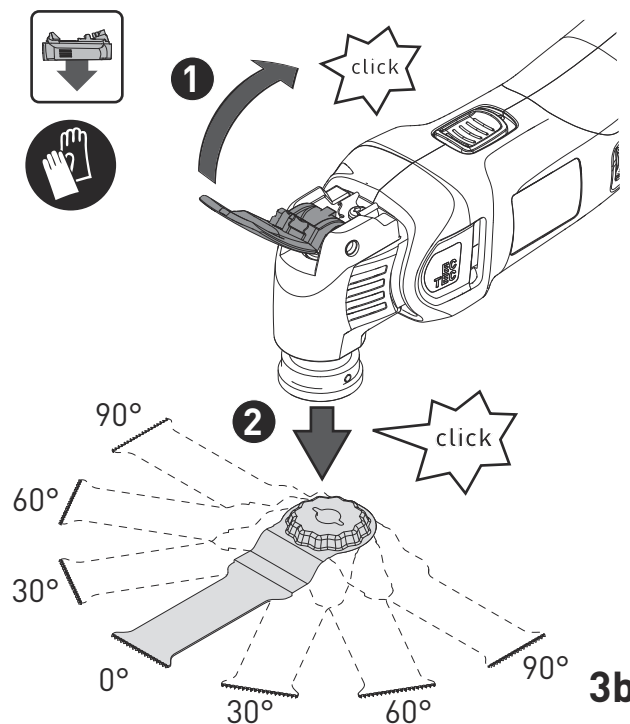
- ⓘ Si l'outil électroportatif est activé sans outil, il est possible que les mâchoires de serrage [3-2] s'ouvrent. Cela génère un bruit.



### Insérer l'outil [3b]

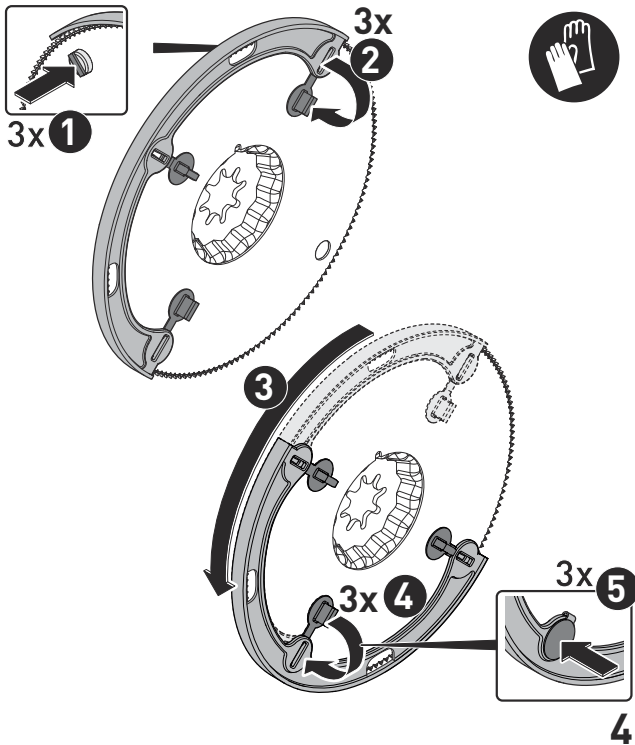
Si les mâchoires de serrage [3-2] sont ouvertes, ouvrir le levier de serrage [3-1] une fois et le refermer.

- ▶ Fermer le levier de serrage jusqu'à ce qu'il se verrouille.
- ▶ Appuyer l'appareil sur l'outil jusqu'à ce qu'il se verrouille.





- ① L'outil peut être décalé par pas de 30° pour être fixé dans la meilleure position de travail.
- ① Après usure, la protection intégrée sur la lame de scie peut être tournée, voir fig. [4]



## 10 Utilisation de l'appareil

Respecter les consignes suivantes :

- Guider l'outil électroportatif contre la pièce à travailler seulement quand celui-ci est activé.
- Si vous avez besoin de plus de force et que le travail avance moins bien est un indice pour une lame usée.
- **Maintenir l'outil électroportatif avec les deux mains sur la surface de préhension afin de garantir un guidage sûr [1-3]. Ne pas obturer pas les ouïes de ventilation [1-4] avec votre main.** Sinon la machine risque de surchauffer.
- Ne pas tenir l'outil électroportatif au niveau de la batterie.
- Fixez toujours la pièce de manière à ce qu'elle ne puisse pas bouger pendant l'utilisation de l'outil électroportatif.

## 11 Signaux d'avertissement sonores

Si l'outil électroportatif se désactive en raison d'états de fonctionnement ultérieurs, un signal d'avertissement retentit et l'outil électroportatif se désactive à nouveau.

### Batterie pas acceptée

- Insérer le modèle correct de batterie.

### Batterie vide

- Remplacez la batterie.
- Chargez la batterie.

### Batterie défectueuse

- Remplacez la batterie.
- Vérifiez la fonctionnalité de la batterie refroidie avec le chargeur.

### Batterie est en surchauffe

- Laissez la batterie refroidir.

### L'outil électroportatif est en surchauffe

- Mettre l'outil électroportatif en service après refroidissement.

### Outil électroportatif défectueux

- Prendre contact avec l'atelier du Service Après-Vente Festool ou un revendeur.

### Outil électroportatif bloqué

- Éliminer le blocage.

- ① Si l'outil électroportatif se désactive en raison d'un blocage, aucun signal d'avertissement n'est émis.

## 12 Accessoires



### AVERTISSEMENT

#### Risque de blessures

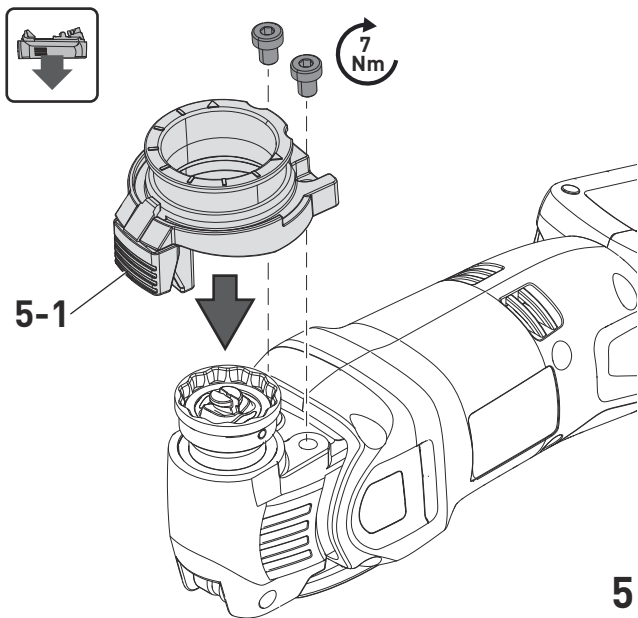
- Retirer la batterie de l'outil électroportatif avant toute intervention sur ce dernier.

Utilisez uniquement les accessoires Festool et consommables Festool d'origine prévus pour cette machine, car ces composants systèmes sont parfaitement adaptés les uns par rapport aux autres. Si vous utilisez des accessoires et consommables d'autres marques, la qualité du résultat peut être dégradée et les recours en garantie peuvent être soumis à des restrictions. L'usure de la machine ou votre charge personnelle peuvent augmenter selon chaque application. Pour cette raison, protégez-vous, votre machine et vos droits à la garantie en utilisant exclusivement des accessoires Festool et des consommables Festool d'origine !

Les références des accessoires et des outils figurent dans le catalogue Festool ou sur Internet sous "www.festoolusa.com".

### 12.1 Montage de l'adaptateur [5]

La butée de profondeur, le dispositif d'aspiration et l'aide au positionnement peuvent être montés sur l'adaptateur. Le bouton de verrouillage [5-1] permet de les déplacer en fonction de l'outil à des pas de 30°.



## 12.2 Aspiration



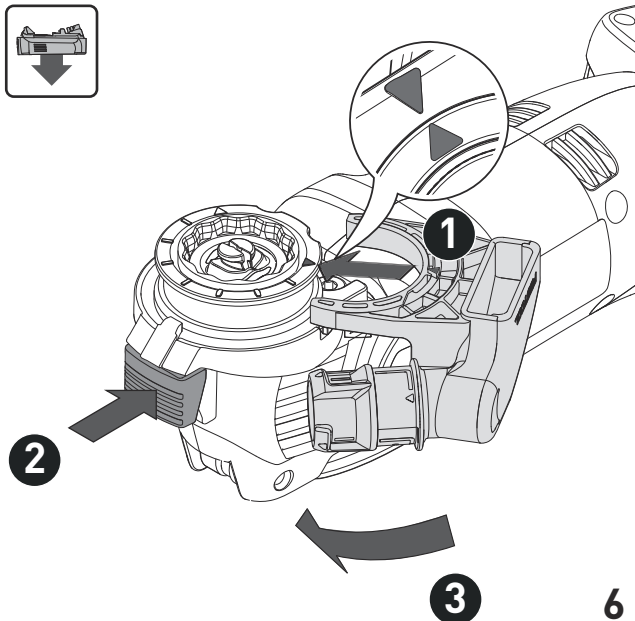
### AVERTISSEMENT

#### Risques pour la santé dus aux poussières

- Utiliser uniquement un aspirateur conçu pour collecter le type spécifique de poussières et particules provenant du matériau coupé.
- Respecter les réglementations de l'OSHA et de la NFPA pour garantir un environnement de travail sûr.

#### Dispositif d'aspiration [6]

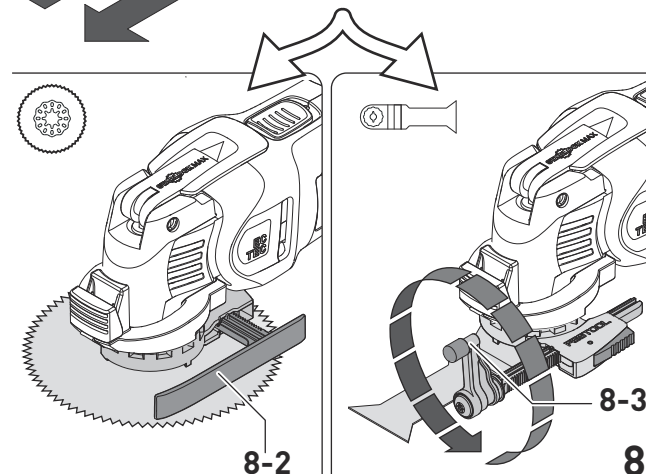
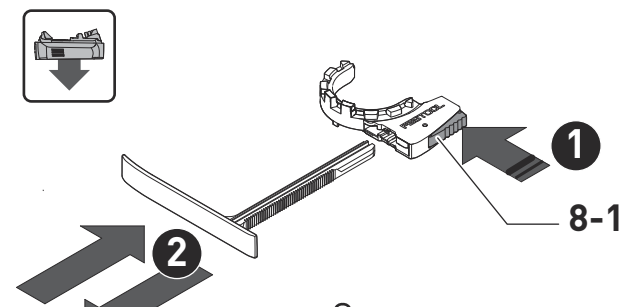
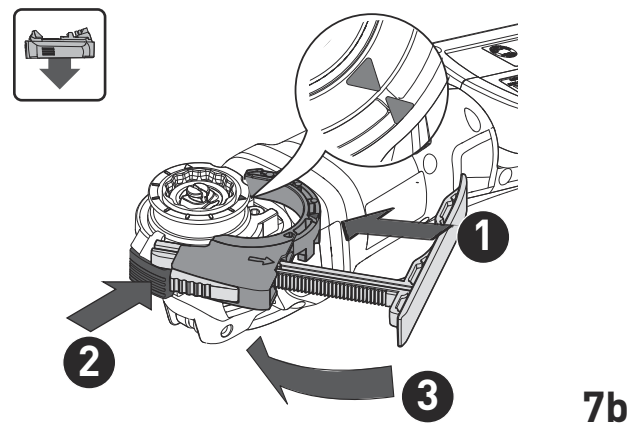
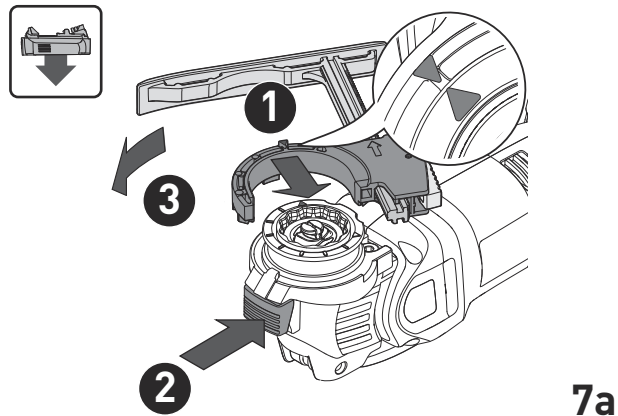
- Montage de l'adaptateur [5].
- Poser le dispositif d'aspiration.
- Raccorder le tuyau d'aspiration.



## 12.3 Butée de profondeur [7+8]

- Montage de l'adaptateur [5].

- Placer la butée de profondeur - [7a] ou [7b].
- Enclencher la profondeur de coupe avec le levier de réglage [8-1].



❶ Sélectionner la butée de profondeur en fonction de l'outil et, si besoin est, le remplacer :



Outils ronds Guide parallèle [8-2]



Lame de scie Butée de profondeur orientable [8-3]

## 12.4 Aide au positionnement [9+10+11+12]



### AVERTISSEMENT

#### Outils coupants

#### Écrasements et blessures par coupure

- ▶ Placer les doigts uniquement sur les surfaces de préhension indiquées [11-2].
- ▶ Utiliser uniquement les lames de scie indiquées à la fig. [11a] ! Ne pas utiliser de lame courte !



### AVERTISSEMENT

#### Risque d'accident, décharge électrique

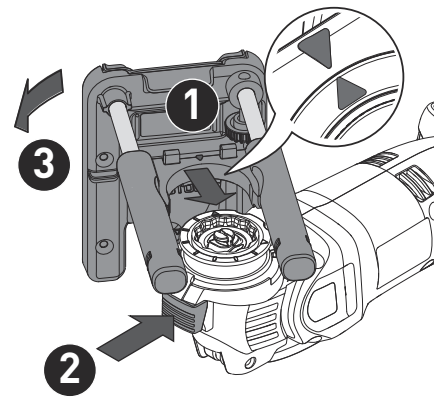
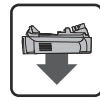
Si l'outil entre en contact avec des câbles sous tension, des pièces métalliques de l'appareil peuvent être mises sous tension et provoquer une décharge électrique.

- ▶ Si l'outil monté pourrait entrer en contact avec des conduites électriques invisibles, tenez l'outil électroportatif à l'aide des poignées isolées.

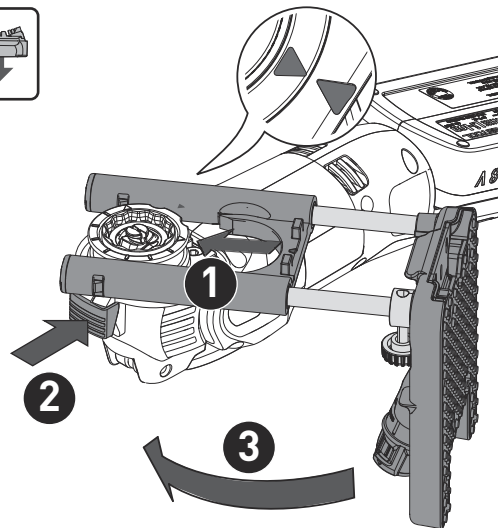
#### Utiliser l'aide au positionnement

- ▶ Montage de l'adaptateur [5].
- ▶ Placer l'aide au positionnement - [9a] ou [9b].
- ▶ Placez d'abord l'accessoire sur le guide de la lame de scie [10-1], puis pressez-le dans le logement [10-2] jusqu'à ce qu'il s'enclenche. Ceci est nécessaire afin que l'accessoire se place correctement dans le guidage de lame de scie.
- ▶ Régler la profondeur de coupe [11-1].

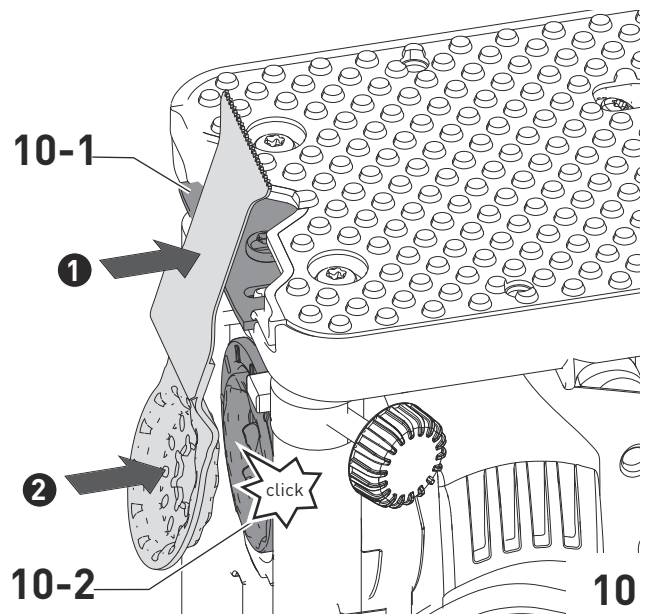
Toujours serrer le réglage de la profondeur de coupe [11-1].



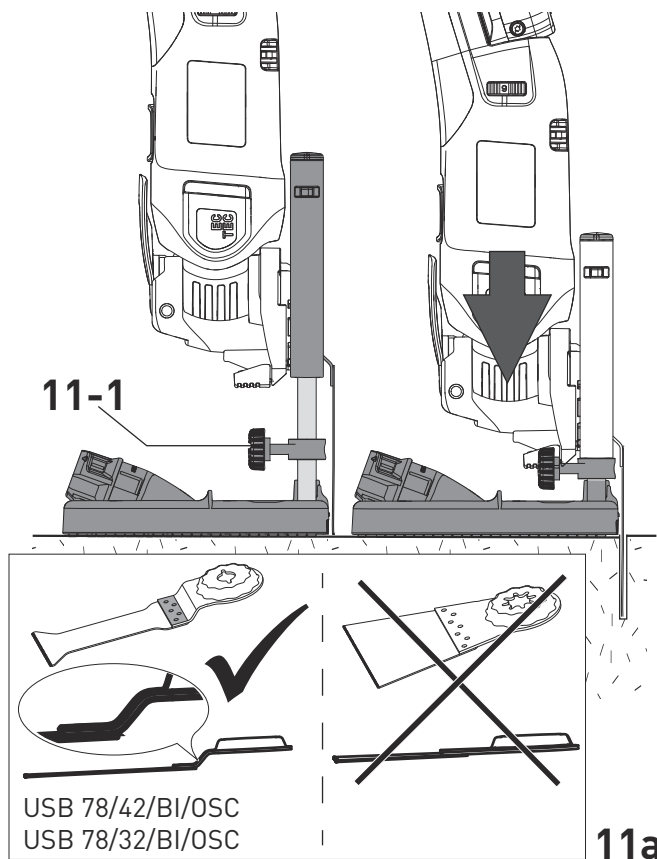
9a



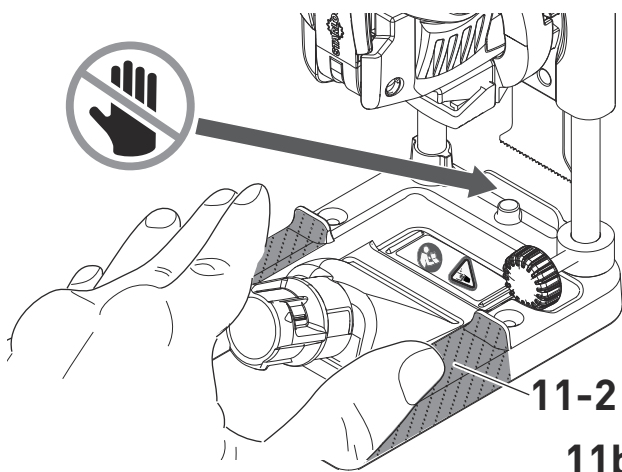
9b



10



11a

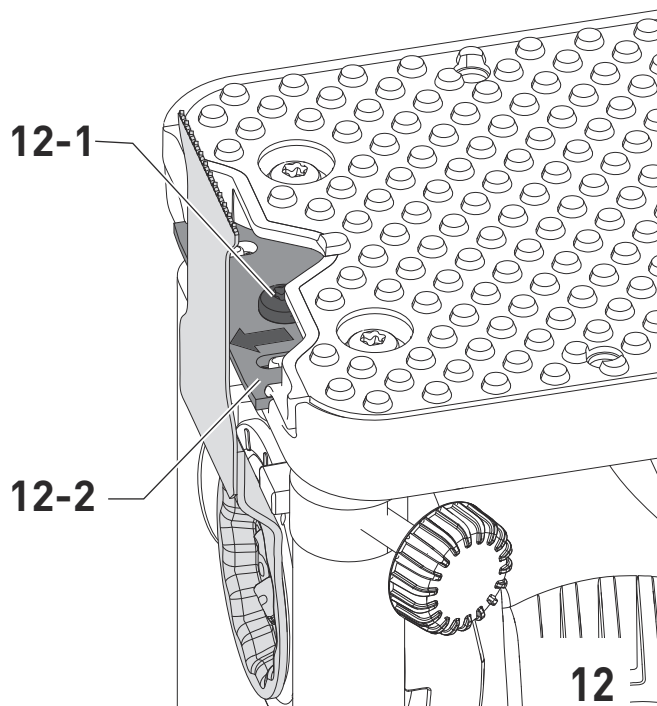


11b

### Réajuster le guidage de lame de scie

Vérifier tout d'abord si l'accessoire a été utilisé dans l'ordre correct (voir figure [10]). Si la lame de scie n'est toujours pas en contact avec le guide de la lame de scie, les points suivants doivent être respectés :

- ▶ Régler la profondeur de coupe [11-1] à la profondeur maximale. Serrer le réglage de la profondeur de coupe [11-1].
- ▶ Desserrer la vis [12-1] du guidage de lame de scie [12-2].
- ▶ Guider le guidage de lame de scie jusqu'à la lame de scie.
- ▶ Serrer la vis [12-1] du guidage de lame de scie.



## 12.5 SYSTAINER

### Systainer

De nombreux produits Festool sont fournis dans une caisse exclusive, appelée "Systainer". Celle-ci permet de protéger et de ranger des outils et des appareils complémentaires. Les Systainer sont empilables et peuvent être solidarisés. En outre, il se fixent sur les aspirateurs CT Festool.

#### Pour ouvrir le Systainer



Tournez le T-loc [SYS-b-1] à cette position.

#### Pour fermer le Systainer



Tournez le T-loc [SYS-b-1] à cette position.

#### Pour connecter deux Systainers

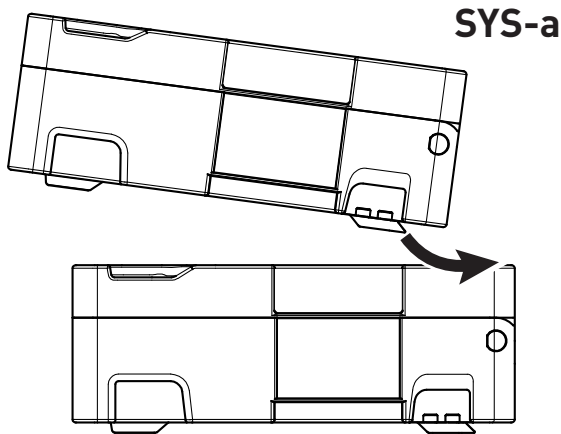
Placez un Systainer au dessus de l'autre [SYS-a].



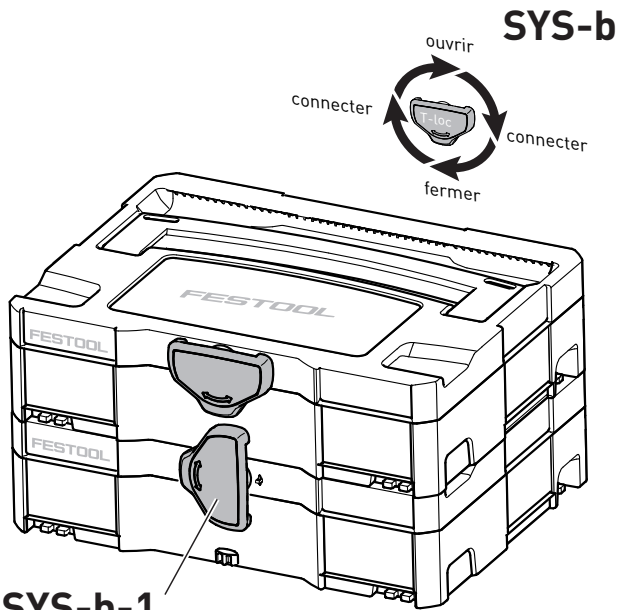
Tournez le T-loc [SYS-b-1] à une de cette positions (Fig. [SYS-b]).

Les Systainers sont combinés.

- ⓘ Un Systainer de la nouvelle génération peut être attaché au dessus d'un Systainer de l'ancienne génération par les quatre loquets de l'ancien Systainer.



SYS-a



SYS-b

SYS-b-1



**ATTENTION**

**Certains produits nettoyants et solvants sont nocifs pour les pièces en plastique.**

- Quelques exemples de produit nocif : essence, acétone, méthyléthylcétone (MEK), chlorure de carbonyle, solutions nettoyantes contenant du chlore, de l'ammoniac et les produits ménagers contenant de l'ammoniac.



**Service après-vente et réparation** uniquement par le fabricant ou des ateliers homologués. Pour trouver l'adresse la plus proche : [www.festool.fr/services](http://www.festool.fr/services)



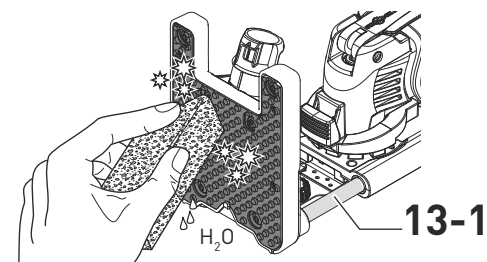
Utiliser uniquement des pièces détachées Festool d'origine ! Réf. sur : [www.festool.fr/services](http://www.festool.fr/services)

Pour assurer la circulation de l'air, il est impératif que les ouïes de ventilation du carter moteur soient maintenues dégagées et propres. Veiller à ce que les contacts de branchement sur l'outil électroportatif, le chargeur et la batterie restent propres.

Lors de l'usinage de matériaux contenant du plâtre, de la poussière peut se déposer à l'intérieur de l'outil électroportatif de même que sur l'interrupteur marche/arrêt, puis durcir sous l'effet de l'humidité de l'air. Ceci peut compromettre le bon fonctionnement du mécanisme de commutation. Après chaque usinage, soufflez l'intérieur de l'outil électroportatif à travers les ouvertures de ventilation et l'interrupteur marche/arrêt avec de l'air comprimé sec et sans huile.

**13.1 Remarques pour l'aide au positionnement**

Enlever les dépôts de poussières des guides [13-1] et surfaces d'appui ! Huiler légèrement et régulièrement les guidages avec une huile sans résine (par ex. huile de machine à coudre).



13

Vérifier que les avertissements figurant sur l'outil électroportatif sont lisibles et au com-

**13 Entretien et maintenance**



**AVERTISSEMENT**

**Risques de blessures, choc électrique**

- Retirez systématiquement la batterie de la machine avant tous les travaux de maintenance et d'entretien !



**AVERTISSEMENT**

**Tout travail de maintenance ou de réparation, qui nécessite l'ouverture du moteur ou du carter d'engrenages doit uniquement être effectué par un centre service-client autorisé (nom fourni par votre revendeur) !**

- Les travaux de maintenance ou de réparation effectués par un personnel non autorisé peuvent conduire à la mauvaise connexion de câbles d'alimentation ou d'autres composants, ce qui peut entraîner à son tour des accidents avec des conséquences graves.

plet. Remplacer les avertissements manquants ou illisibles.

## 14 Environnement

**Ne jetez pas l'appareil avec les ordures ménagères !** Éliminez l'appareil, les accessoires et les emballages de façon compatible avec l'environnement. Respectez les prescriptions nationales en vigueur.

### Mise au rebut des batteries



#### AVERTISSEMENT

##### Risque d'incendie ou de blessures

- ▶ Ne tentez pas de désassembler la batterie ou d'enlever tout composant faisant saillie des bornes de batterie.
- ▶ Avant la mise au rebut, protégez les bornes exposées à l'aide d'un ruban isolant épais pour prévenir le court-circuitage.

## Índice de contenidos

1	Símbolos.....	31
2	Sobre este manual.....	31
3	Indicaciones de seguridad.....	32
4	Uso conforme a lo previsto.....	35
5	Datos técnicos.....	35
6	Componentes de la herramienta.....	35
7	Puesta en servicio.....	36
8	Batería.....	36
9	Ajustes.....	36
10	Trabajo con la máquina.....	38
11	Señales acústicas de advertencia.....	38
12	Accesorios.....	39
13	Mantenimiento y cuidado.....	42
14	Medio ambiente.....	43

## 1 Símbolos

-  Aviso de peligro general
-  Peligro de electrocución
-  ¡Leer el manual de instrucciones y las indicaciones de seguridad!
-  Utilizar gafas de protección
-  Usar protección para los oídos
-  Utilizar protección respiratoria.
-  Utilizar guantes de protección
-  ¡Peligro de aplastamiento de dedos y manos!
-  ¡Zona peligrosa! ¡Mantener alejadas las manos!
-  Insertar la batería
-  Soltar la batería
-  No depositar en la basura doméstica.
-  Consejo, indicación
-  Guía de procedimiento
- V voltios

- rpm      revolutiones por minuto
- min<sup>-1</sup>
- kg      kilogramo
- lb.      libras
- °      grado angular






**PRECAUCIÓN** Para uso solamente con las baterías FESTOOL BP 18

## 2 Sobre este manual

### Guarde estas instrucciones

Es importante que usted lea y entienda este manual. La información que contiene se relaciona con la protección de **su seguridad y la prevención de problemas**. Los símbolos que siguen se utilizan para ayudarlo a reconocer esta información.

	PELIGRO	Descripción de peligro inminente y fracaso para evitar riesgos que podran causar la muerte.
	ADVERTENCIA	Descripción de peligro y posibles lesiones resultantes o la muerte.
	PRECAUCIÓN	Descripción de peligro y posibles lesiones resultantes.
	AVISO	Descripción de los posibles daños en el dispositivo o en su entorno.

### 3 Indicaciones de seguridad

#### 3.1 Instrucciones generales de seguridad para herramientas eléctricas



**¡ADVERTENCIA!** Leer todas las indicaciones de seguridad, instrucciones, ilustraciones y datos técnicos que acompañan a esta herramienta eléctrica. Si no se cumplen debidamente las instrucciones siguientes, puede producirse una descarga eléctrica, quemaduras o lesiones graves.

**Guarde todas las indicaciones de seguridad e instrucciones para que sirvan de futura referencia.**

El término «herramienta eléctrica» empleado en las indicaciones de seguridad hace referencia a herramientas eléctricas conectadas a la red eléctrica (con un cable de red) o a herramientas eléctricas alimentadas con batería (sin cable de red).

#### 1 SEGURIDAD EN EL LUGAR DE TRABAJO

- Mantenga su zona de trabajo limpia y bien iluminada.** El desorden o la falta de iluminación en las zonas de trabajo pueden dar lugar a accidentes.
- No trabaje con la herramienta eléctrica en entornos potencialmente explosivos donde se encuentren líquidos, gases o polvos inflamables.** Las herramientas eléctricas producen chispas que pueden inflamar el polvo o los vapores.
- Mantenga a niños y adultos alejados de la herramienta eléctrica durante el uso.** Si se distrae, puede perder el control de la herramienta eléctrica.

#### 2 SEGURIDAD ELÉCTRICA

- El conector de la herramienta eléctrica debe encajar en el enchufe. El conector no debe modificarse en modo alguno. No utilice conectores adaptadores con herramientas eléctricas con puesta a tierra.** Unos conectores intactos y unos enchufes adecuados reducen el riesgo de descarga eléctrica.
- Evite el contacto físico con superficies con puesta a tierra como las de tuberías, calefacciones, cocinas y frigoríficos.** Existe un riesgo elevado de descarga eléctrica si su cuerpo está en contacto con la tierra.
- Mantenga las herramientas eléctricas lejos de la lluvia y la humedad.** La penetración de agua en una herramienta eléctrica aumenta el riesgo de descarga eléctrica.

- No utilice el cable de conexión para transportar o colgar la herramienta eléctrica ni para extraer el conector del enchufe. Mantenga el cable de conexión alejado del calor, aceite, cantos afilados o piezas en movimiento.** Los cables de conexión dañados o enredados aumentan el riesgo de descarga eléctrica.
- Si trabaja con una herramienta eléctrica al aire libre, utilice únicamente alargadores aptos para el uso en exteriores.** El empleo de alargadores aptos para el uso en exteriores reduce el riesgo de descarga eléctrica.
- Cuando sea inevitable el uso de la herramienta eléctrica en un entorno húmedo, utilice un interruptor diferencial.** El uso de un interruptor diferencial reduce el riesgo de que se produzca una descarga eléctrica.

#### 3 SEGURIDAD DE LAS PERSONAS

- Sea cuidadoso, preste atención a lo que está haciendo y actúe con prudencia al trabajar con herramientas eléctricas. No utilice ninguna herramienta eléctrica si está cansado o bajo los efectos de drogas, alcohol o medicamentos.** Una mínima distracción mientras está utilizando la herramienta eléctrica puede ocasionarle graves lesiones.
- Lleve puesto el equipo de protección individual y utilice gafas de protección en todo momento.** El empleo del equipamiento de protección personal como p. ej. mascarilla, guantes de seguridad antideslizantes, casco o protección de oídos, según el tipo y la aplicación de la herramienta eléctrica, reduce el riesgo de lesiones.
- Evite un arranque accidental de la herramienta. Asegúrese de que está desconectada antes de conectarla al suministro de corriente o la batería, recogerla o transportarla.** Existe peligro de accidente si transporta la herramienta eléctrica con el dedo sobre el interruptor o si conecta la herramienta eléctrica a la red estando encendida.
- Retire las herramientas de ajuste y las llaves de tornillos antes de conectar la herramienta eléctrica.** Si una herramienta o llave se encuentra en una pieza en movimiento de la herramienta eléctrica, pueden producirse lesiones.
- Evite una postura anormal del cuerpo. Procure un apoyo seguro y mantenga el**



**equilibrio en todo momento.** De esta manera podrá controlar mejor la herramienta eléctrica en situaciones inesperadas.

- f. **Utilice ropa adecuada. No utilice ropa ancha ni objetos de joyería o bisutería. Mantenga el pelo y la ropa alejados de las piezas en movimiento.** La ropa holgada, las joyas o el pelo largo pueden quedar atrapados por piezas en movimiento.
- g. **Si se montan dispositivos de aspiración o recogida de polvo, estos deberán conectarse y utilizarse correctamente.** El empleo de un sistema de aspiración del polvo puede disminuir los peligros a causa del polvo.
- h. **No se cree un falso sentido de la seguridad ni ignore las normas de seguridad de las herramientas eléctricas, ni siquiera si está muy familiarizado con el uso de la herramienta.** Una distracción durante el manejo puede derivar en graves lesiones en cuestión de pocas fracciones de segundo.

#### 4 USO Y MANEJO DE LA HERRAMIENTA ELÉCTRICA

- a. **No sobrecargue la herramienta eléctrica. Utilice la herramienta eléctrica adecuada para el trabajo que va a realizar.** Con la herramienta apropiada trabajará mejor y más seguro en el rango de potencia especificado.
- b. **No utilice ninguna herramienta eléctrica cuyo interruptor esté defectuoso.** Una herramienta eléctrica que no se pueda conectar o desconectar resulta peligrosa y es necesario repararla.
- c. **Extraiga el conector del enchufe o retire la batería extraíble antes de efectuar los ajustes de la herramienta, cambiar piezas o guardar la herramienta eléctrica.** Esta medida de seguridad impide el arranque accidental de la herramienta eléctrica.
- d. **Mantenga las herramientas eléctricas que no esté utilizando fuera del alcance de los niños. No permita que la herramienta eléctrica sea utilizada por personas que no estén familiarizadas con ella o no hayan leído las presentes indicaciones.** Las herramientas eléctricas en manos inexpertas pueden ser peligrosas.
- e. **Trate las herramientas eléctricas y las herramientas intercambiables con cuidado. Compruebe si las partes móviles funcionan correctamente y no se atascan, y si hay piezas rotas o tan deterioradas que**

**podrían mermar el funcionamiento de la herramienta eléctrica. Haga reparar las piezas deterioradas antes de usar la herramienta eléctrica.** Muchos accidentes tienen su origen en un mantenimiento deficiente de las herramientas eléctricas.

- f. **Mantenga las herramientas cortantes limpias y afiladas.** Las herramientas cortantes bien cuidadas con aristas de corte afiladas se atascan menos y se guían más fácilmente.
- g. **Utilice la herramienta eléctrica, las herramientas intercambiables, etc., de acuerdo con estas instrucciones. Para ello, tenga en cuenta las condiciones de trabajo y la actividad que debe realizar.** El uso de herramientas eléctricas en aplicaciones diferentes a las previstas puede dar lugar a situaciones peligrosas.
- h. **Mantenga las superficies de agarre y los mangos secos, limpios y libres de aceite y grasa.** Un mango o unas superficies de agarre resbaladizos no permiten un manejo y control seguros de la herramienta eléctrica en situaciones imprevistas.

#### 5 USO Y MANEJO DE LA HERRAMIENTA A BATERÍA

- a. **Las baterías deben cargarse exclusivamente en cargadores recomendados por el fabricante.** Existe riesgo de incendio si un cargador apto para un determinado tipo de batería se utiliza con otras baterías.
- b. **Utilice solo las baterías previstas en las herramientas eléctricas en cuestión.** El uso de otras baterías puede provocar lesiones y riesgo de incendio.
- c. **Mantenga la batería que no utilice alejada de clips, monedas, llaves, clavos, tornillos o cualquier otro objeto metálico pequeño que pueda provocar el puenteo de los contactos.** Un cortocircuito entre los contactos de la batería puede causar quemaduras o fuego.
- d. **Si la batería se utiliza incorrectamente, pueden producirse fugas de líquido. Evite el contacto con este líquido. En caso de contacto accidental, enjuague con agua. Si el líquido entra en contacto con los ojos, busque además asistencia médica.** El líquido derramado de la batería puede causar irritaciones en la piel o quemaduras.
- e. **No utilice baterías dañadas o modificadas.** Una batería dañada o modificada puede presentar un comportamiento imprevisible

- y producir fuego o explosiones o entrañar peligro de lesiones.
- f. **No exponga las baterías al fuego ni a altas temperaturas.** El fuego o una temperatura por encima de 130 °C puede originar una explosión.
  - g. **Siga todas las instrucciones para la carga y no cargue la batería ni la herramienta a batería fuera del rango de temperatura especificado en el manual de instrucciones.** Una carga incorrecta o fuera del rango de temperatura permitido puede dañar la batería e incrementar el peligro de incendio.

## 6 SERVICIO

- a. **Encargue la reparación de su herramienta eléctrica únicamente a personal técnico cualificado y solo con piezas de recambio originales.** De esta forma queda garantizada la seguridad de la herramienta eléctrica.
- b. **Nunca realice trabajos de mantenimiento en una batería dañada.** Únicamente el fabricante o los centros autorizados del Servicio de Atención al Cliente pueden llevar a cabo los trabajos de mantenimiento de las baterías.
- c. **Utilice exclusivamente piezas originales para la reparación y el mantenimiento de la herramienta.** El uso de accesorios o piezas de recambio no previstos puede producir descargas eléctricas o lesiones.

**Tenga en cuenta el manual de instrucciones del cargador y de la batería.**

### 3.2 Indicaciones de seguridad específicas

- **La herramienta eléctrica debe sujetarse por las superficies de agarre aisladas cuando se lleven a cabo trabajos en los que la herramienta de corte pudiera entrar en contacto con cables eléctricos ocultos.** El contacto con una conducción de corriente puede poner bajo tensión las piezas metálicas de la máquina y provocar una descarga eléctrica.
- **Fijar y asegurar la pieza de trabajo a una base estable por medio de mordazas o un dispositivo similar.** Si se sostiene la pieza de trabajo únicamente con la mano o la apoya contra el cuerpo, aumentará su inestabilidad, así como el riesgo de perder el control sobre la pieza.
- **Utilice aparatos de exploración adecuados para detectar tuberías de abastecimiento ocultas o consulte a la compañía local de**

**abastecimiento de energía.** El contacto de la herramienta con cables eléctricos puede provocar fuego y descargas eléctricas. Si se daña una tubería de gas, puede provocar una explosión. La penetración en una tubería de agua ocasiona daños materiales.

- **Al trabajar puede generarse polvo perjudicial o tóxico (p. ej., de pintura con plomo, de algunos tipos de madera y metal). Los materiales que contienen amianto solo pueden ser procesados por personal experto.** El contacto o la inhalación de este polvo puede suponer una amenaza para la persona que realiza el trabajo o para aquellas que se encuentren cerca. Observar las normativas de seguridad vigentes en el país de uso.



Por el bien de su salud utilice una mascarilla de protección respiratoria con filtro P2.



- **Es imprescindible utilizar los equipos de protección personal adecuados:** protección para los oídos, gafas de protección, mascarilla para los trabajos que generan polvo, guantes de protección al trabajar con materiales rugosos y para cambiar de útil.
- **Sujete con seguridad la herramienta eléctrica de forma que el cuerpo nunca toque la herramienta, especialmente al trabajar con herramientas orientadas hacia la zona de agarre, como hojas de sierra o herramientas de corte.** El contacto con bordes o cantos afilados puede producir lesiones.
- **Tras trabajar con materiales que contengan yeso: Limpie los orificios de ventilación de la herramienta eléctrica y del interruptor de conexión y desconexión con aire comprimido seco y sin aceite.** De lo contrario podría sedimentarse polvo con yeso en la carcasa de la herramienta eléctrica y el interruptor de conexión y desconexión, y endurecerse tras entrar en contacto con la humedad ambiental. Esto podría conllevar problemas en el mecanismo de conmutación
- **Esperar a que la herramienta eléctrica esté completamente parada antes de guardarla.** La herramienta podría engancharse, lo que podría causar la pérdida de control de la herramienta eléctrica.

- **No utilizar fuentes de alimentación o baterías de otro fabricante con la herramienta eléctrica de batería. No utilizar cargadores de otro fabricante para cargar la batería.** El uso de accesorios no previstos por el fabricante puede provocar una descarga eléctrica o accidentes graves.
- **No utilice la herramienta bajo la lluvia o en entornos húmedos.** La humedad puede provocar un cortocircuito en la herramienta y hacer que se incendie.

### 3.3 Tratamiento de metales



Al trabajar con metal se deberán tener presentes las siguientes medidas por motivos de seguridad:

- Conectar la máquina a un aparato de aspiración apropiado.
- Limpiar regularmente el polvo que se acumula en la carcasa del motor de la máquina.



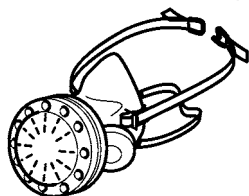
Utilizar gafas de protección

### 3.4 Riesgos para la salud producidos por el polvo



**ADVERTENCIA!** algunos polvos creados por lijadoras motorizadas, aserraderos, trituradores, perforadoras y otras actividades de construcción contienen sustancias químicas que se sabe (en el Estado de California) causan cáncer, defectos de nacimiento u otros daños al sistema reproductivo. Algunos ejemplos de estas sustancias químicas son:

- Plomo de las pinturas con base de plomo,
- Sílice cristalino de los ladrillos y cemento y otros productos de mampostería, y
- Arsénico y cromo de madera tratada con sustancias químicas.



El riesgo de exposición a estas sustancias varía, dependiendo de cuantas veces se hace este tipo de trabajo. Para reducir el contacto con estas sustancias químicas: trabaje en un área con buena ventilación y trabaje con equipo de seguridad aprobado, como mascarillas para el polvo diseñadas específicamente para filtrar partículas microscópicas.



## ADVERTENCIA

**PARA REDUCIR EL RIESGO DE LESIÓN, EL USUARIO DEBE LEER EL MANUAL DE INSTRUCCIÓN.**

## 4 Uso conforme a lo previsto

Oscilante de batería guiado a mano concebido para

- Serrado de madera, plástico, plástico reforzado por fibra de vidrio, cartón yeso y para el serrado de chapas (máx. 1 mm),
- Eliminación de juntas de azulejos y masilla para ventanas,
- para el rascado de restos de moquetas, así como el corte de selladores elásticos;
- para entornos protegidos de la intemperie;
- con herramientas y accesorios de Festool.
- para utilizar con las baterías Festool de la serie BP de la misma clase de tensión.

**No es adecuado** para retirar cristales de automóviles, camiones y autobuses ni para el saneamiento de juntas de hormigón.



El usuario será responsable de cualquier utilización indebida.

## 5 Datos técnicos

Oscilante a batería	OSC 18
Tensión del motor	18 V
Número de revoluciones	10000 - 19500 rpm
Ángulo de oscilación	2 x 2.0°
Alojamiento de herramienta Compatible con	StarlockMax Starlock- Max/Star- lockPlus/ Starlock
Compatible con baterías de la serie	BP 18
Peso según procedimiento EP-TA 01:2014:	3.5 lbs (1.6 kg)

## 6 Componentes de la herramienta

- [1-1]** Palanca de sujeción para el cambio de herramienta
- [1-2]** Interruptor de conexión y desconexión

- [1-3]** Superficie de agarre
- [1-4]** Aberturas para el aire de refrigeración
- [1-5]** Indicación de capacidad
- [1-6]** Tecla de indicación de la capacidad en la batería
- [1-7]** Tecla para aflojar la batería
- [1-8]** Batería
- [1-9]** Regulación del número de revoluciones
- [1-10]** Herramienta
- [1-11]** Adaptador\*
- [1-12]** Tope de profundidad con zapata de deslizamiento\*
- [1-13]** Tope de profundidad giratorio\*
- [1-14]** Dispositivo de aspiración\*
- [1-15]** Ayuda de posicionamiento\*

\*Los accesorios representados o descritos no forman parte íntegra de la dotación de suministro.

Las imágenes con la dotación de suministro se encuentran en una hoja desplegable al comienzo de este manual de instrucciones. Cuando lea este manual, le recomendamos que despliegue esta página para disponer fácilmente de una vista general de la máquina.

## 7 Puesta en servicio

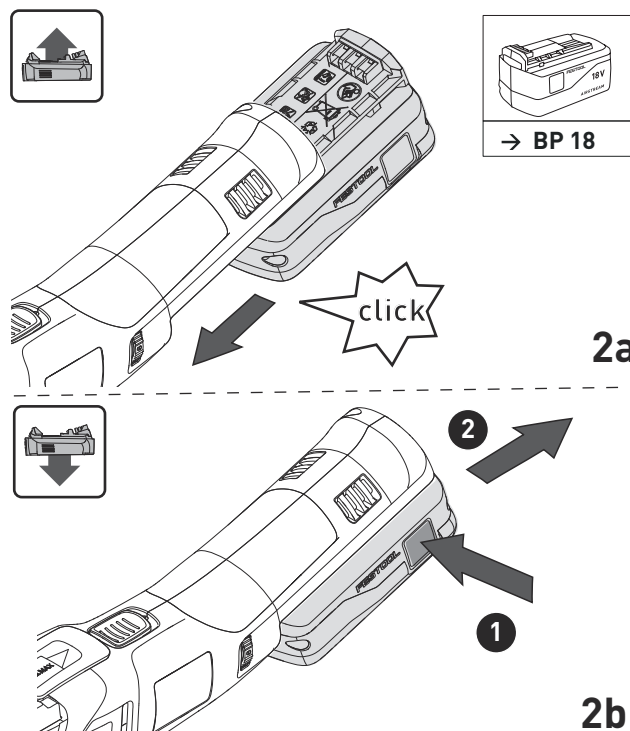
### 7.1 Conexión y desconexión

El interruptor **[1-2]** sirve como interruptor de conexión y desconexión (I = CONECTADO, 0 = DESCONECTADO).

- i** Si la batería está vacía, en caso de corte de corriente o al retirar el enchufe, mover el interruptor de conexión de inmediato a la posición de desconexión. Esto impide que la máquina se pueda poner de nuevo en marcha de manera descontrolada.

## 8 Batería

- Insertar la batería **[2a]**
- Extraer la batería **[2b]**



### 8.1 Indicación de capacidad

La indicación de la capacidad **[1-5]** muestra, al accionar la tecla **[1-6]**, el estado de carga de la batería durante aprox. 2 s:

	70-100%
	40-70%
	15-40%
	< 15% *

**\*Recomendación:** cargar la batería antes de cada utilización.

- i** Hallará más información sobre el cargador y la batería con indicación de la capacidad en el manual de instrucciones del cargador y de la batería.

## 9 Ajustes



### ADVERTENCIA

#### Peligro de lesiones

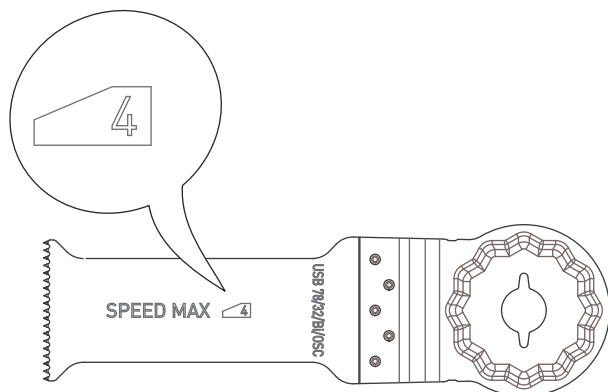
- Antes de llevar a cabo cualquier trabajo en la herramienta eléctrica, retirar de esta la batería.

### 9.1 Regulación del número de revoluciones

El número de revoluciones puede ajustarse con la rueda de ajuste de modo continuo dentro del rango de revoluciones (véase el capítulo Datos técnicos). De este modo, puede adaptarse perfectamente la velocidad a cada material. Para

ello, tenga en cuenta también la información que contiene la herramienta.

Cuando una herramienta sea apta para utilizarse hasta un número de revoluciones máximo, el n.º de revoluciones máximo figura en la herramienta (véase la figura [14]).



## 9.2 Cambio de herramienta



### PRECAUCIÓN

#### Herramienta caliente y afilada

#### Peligro de lesiones

- ▶ No utilizar herramientas romas o defectuosas.
- ▶ Utilizar guantes de protección.
- ▶ Retirar con cuidado la resina protectora del borde cortante de las herramientas nuevas.



### PRECAUCIÓN

#### Peligro de lesiones y efectos negativos para la salud por el uso de herramientas no previstas ni recomendadas por Festool.

#### Daños en la máquina debidos a una carga de vibraciones adicional

- ▶ Utilice únicamente herramientas Festool originales.



### PRECAUCIÓN

#### Peligro de aplastamiento de dedos y manos

Si se enciende la herramienta eléctrica con la palanca de sujeción abierta, la palanca de sujeción se cierra por efecto de la fuerza de resorte. Cuando están abiertas, las mordazas de sujeción están sometidas a tensión de resorte.

- ▶ No encender nunca la herramienta eléctrica cuando la palanca de sujeción esté abierta.
- ▶ No introducir nunca las manos en la zona de las mordazas de sujeción.

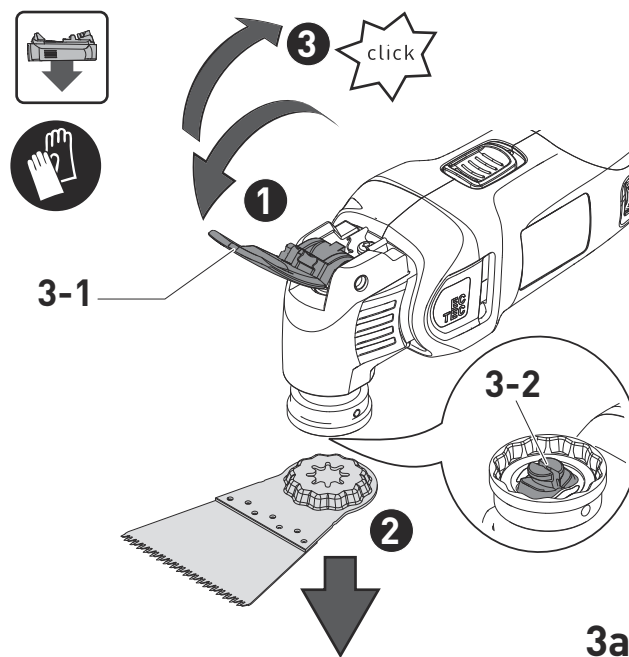
## Desmontar la herramienta [3a]

- ▶ Abrir la palanca de sujeción [3-1].

*La herramienta cae hacia abajo.*

- ▶ Cerrar la palanca de sujeción hasta que se enclave.

- ⓘ Si la herramienta eléctrica se enciende sin herramienta, puede que las mordazas de sujeción [3-2] se abran. Esto provocará un estruendo.

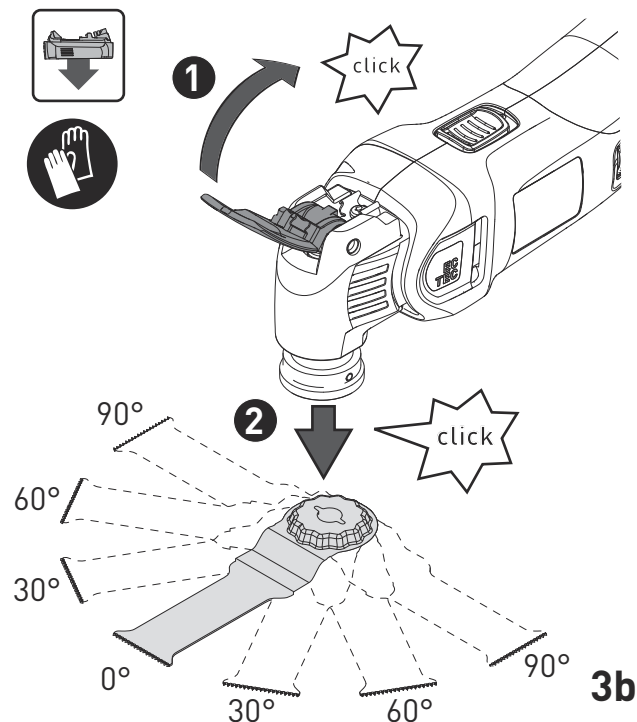


3a

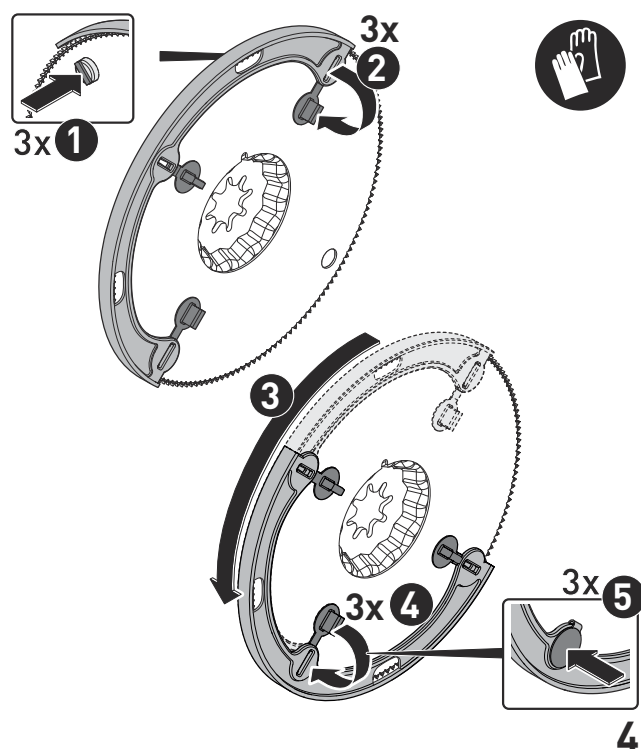
## Usar la herramienta [3b]

En caso de que las mordazas de sujeción [3-2] estén abiertas, abrir una vez la palanca de sujeción [3-1] y volver a cerrarla.

- ▶ Cerrar la palanca de sujeción hasta que se enclave.
- ▶ Presionar el dispositivo hasta que se enclave en la herramienta.



- i** La herramienta puede ajustarse en pasos de 30° y sujetarse en la posición de trabajo más cómoda.
- i** La protección contra contacto de la hoja de serrar puede voltearse cuando se haya desgastado, véase la fig. [4]



## 10 Trabajo con la máquina

**Tener en cuenta las siguientes advertencias:**

- Dirija la herramienta eléctrica hacia la pieza de trabajo solo cuando esté conectada.
- Una muestra de que las cuchillas están desgastadas es un aumento significativo en

la fuerza necesaria para hacer avanzar la máquina unido a un escaso avance del trabajo.

- **Sujete la herramienta eléctrica con ambas manos por la superficie de agarre para garantizar un guiado seguro [1-3]. No tape con la mano las aberturas para el aire de refrigeración [1-4].** De lo contrario, la máquina podría calentarse en exceso.
- No sujete la herramienta eléctrica por la batería.
- Fije la pieza de trabajo siempre de forma que no se pueda mover cuando se trabaje con ella.

## 11 Señales acústicas de advertencia

Si la herramienta se desconecta a causa los siguientes estados de funcionamiento, al encenderla emite una señal acústica de advertencia y la herramienta eléctrica vuelve a desconectarse.

### Batería incompatible

- Colocar el modelo de batería correcto.

### Batería vacía

- Cambie la batería.
- Cargue la batería.

### Batería defectuosa

- Cambie la batería.
- Compruebe el funcionamiento de la batería ya enfriada con el cargador.

### Batería sobrecalentada

- Deje que la batería se enfríe.

### La herramienta eléctrica está sobrecalentada

- Una vez que se enfríe, puede volver a poner la herramienta en marcha.

### Herramienta eléctrica defectuosa

- Ponerse en contacto con un taller autorizado de Festool o un distribuidor especializado.

### Herramienta eléctrica bloqueada

- Eliminar el bloqueo.

- i** Si la herramienta se desconecta a causa de un bloqueo, no emite ninguna señal de aviso acústica.

## 12 Accesorios



### ADVERTENCIA

#### Peligro de lesiones

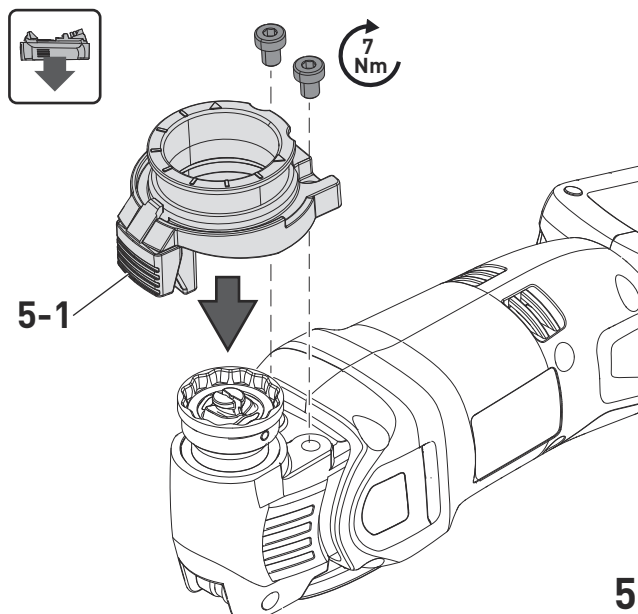
- Antes de llevar a cabo cualquier trabajo en la herramienta eléctrica, retirar de esta la batería.

Utilice únicamente los accesorios Festool originales y el material de consumo Festool diseñados para esta máquina, puesto que los componentes de este sistema están óptimamente adaptados entre sí. La utilización de accesorios y material de consumo de otros fabricantes puede afectar a la calidad de los resultados de trabajo y conllevar una limitación de los derechos de la garantía. El desgaste de la máquina o de su carga personal puede variar en función de la aplicación. Utilice únicamente accesorios originales y material de consumo de Festool para su propia protección y la de la máquina, así como de los derechos de la garantía.

Los números de pedido para los respectivos accesorios y herramientas se encuentran en su catálogo Festool o en la dirección de Internet "www.festoolusa.com".

### 12.1 Montaje del adaptador [5]

En el adaptador pueden montarse un tope de profundidad, un dispositivo de aspiración y un soporte de posicionamiento que, en función de la herramienta, se pueden desplazar en pasos de 30° con el botón de retención [5-1].



## 12.2 Aspiración



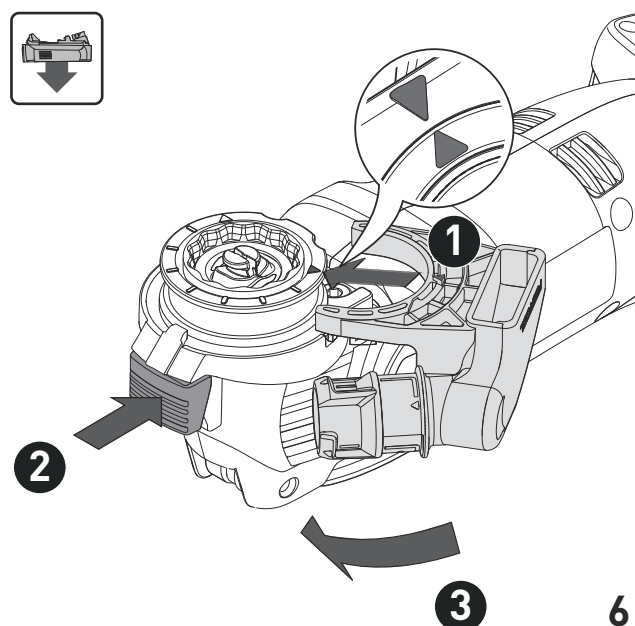
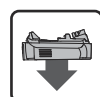
### ADVERTENCIA

#### Peligro para la salud causado por el polvo

- Utilice únicamente un aspirador diseñado para recoger el tipo de polvo y las partículas del material que se está cortando.
- Siga las normas OSHA y NFPA para garantizar un entorno de trabajo seguro.

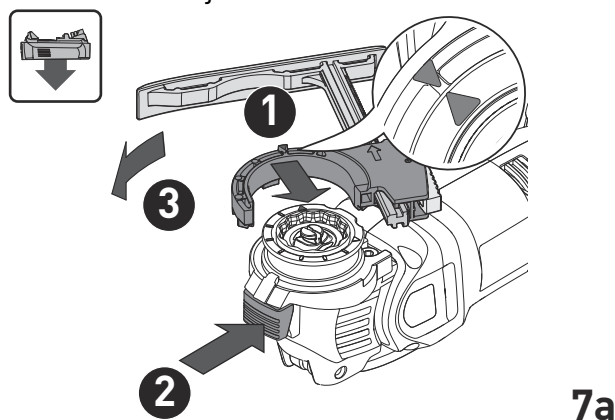
### Dispositivo de aspiración [6]

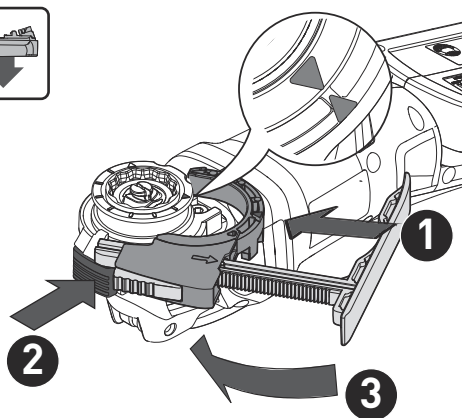
- Montar el adaptador [5].
- Colocar el dispositivo de aspiración.
- Conectar el tubo flexible de aspiración.



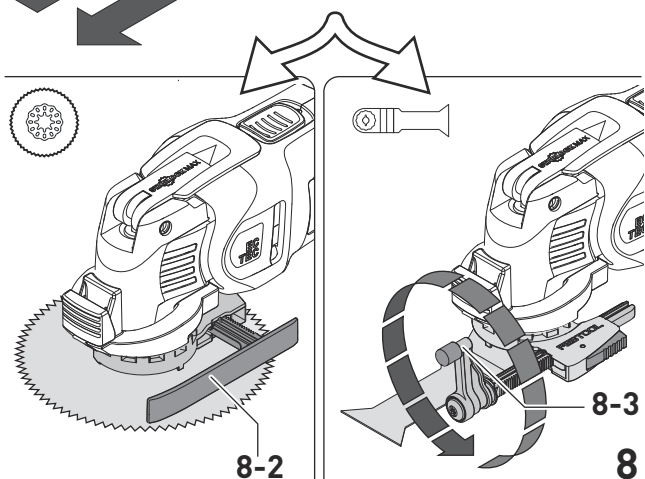
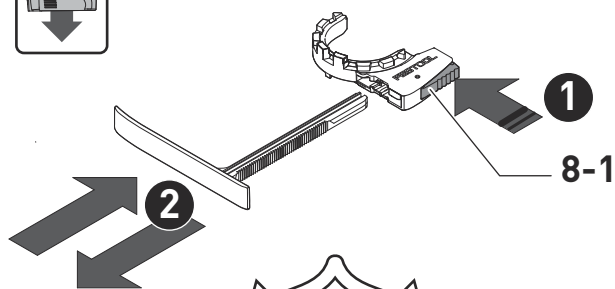
### 12.3 Tope de profundidad [7+8]

- Montar el adaptador [5].
- Colocar el tope de profundidad: [7a] o [7b].
- Encajar la profundidad de corte con la palanca de ajuste [8-1].





7b



**i** Seleccionar el tope de profundidad correcto en función de la herramienta y, si es necesario, sustituirlo:



Herramienta redonda

Zapata de deslizamiento **[8-2]**



Cuchillas

Tope de profundidad giratorio **[8-3]**

## 12.4 Soporte de posicionamiento [9+10+11+12]



### ADVERTENCIA

#### Herramientas afiladas

#### Lesiones por aplastamientos y cortes

- ▶ Colocar los dedos únicamente en las superficies de agarre definidas **[11-2]**.
- ▶ Utilizar exclusivamente las hojas de sierra indicadas en la fig. **[11a]**. No utilizar hojas de sierra cortas.



### ADVERTENCIA

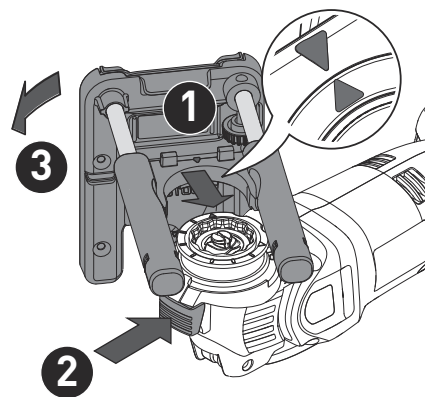
#### Peligro de accidentes y electrocución

Si la herramienta se topa con cables conductores, las piezas metálicas de la máquina podrían pasar a estar bajo tensión y provocar una descarga eléctrica.

- ▶ La herramienta eléctrica debe sujetarse por las superficies de agarre aisladas cuando se lleven a cabo trabajos en los que la herramienta de corte pudiera entrar en contacto con cables eléctricos ocultos.

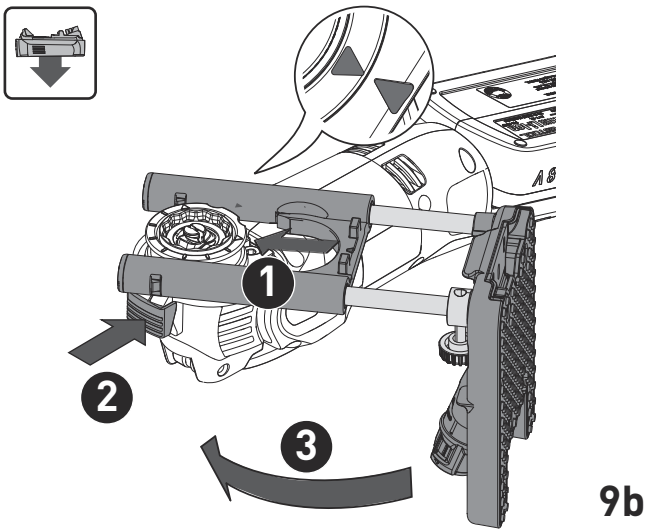
#### Utilizar el soporte de posicionamiento

- ▶ Montar el adaptador **[5]**.
- ▶ Colocar la ayuda de posicionamiento: **[9a]** o **[9b]**.
- ▶ Primero, colocar la herramienta en la guía para la hoja de sierra **[10-1]** y, después, presionarla en la fijación **[10-2]** hasta que se enclave. Esto es necesario para que la herramienta quede correctamente colocada en la guía para la hoja de sierra.
- ▶ Ajustar la profundidad de corte **[11-1]**. Apretar siempre el ajuste de la profundidad de corte **[11-1]**.

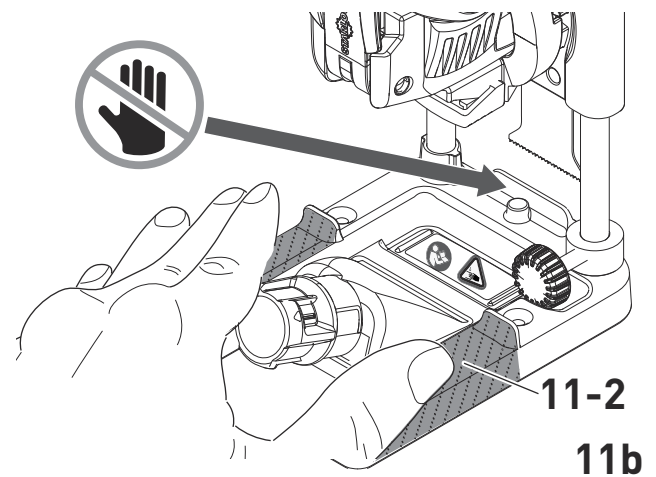


9a





9b

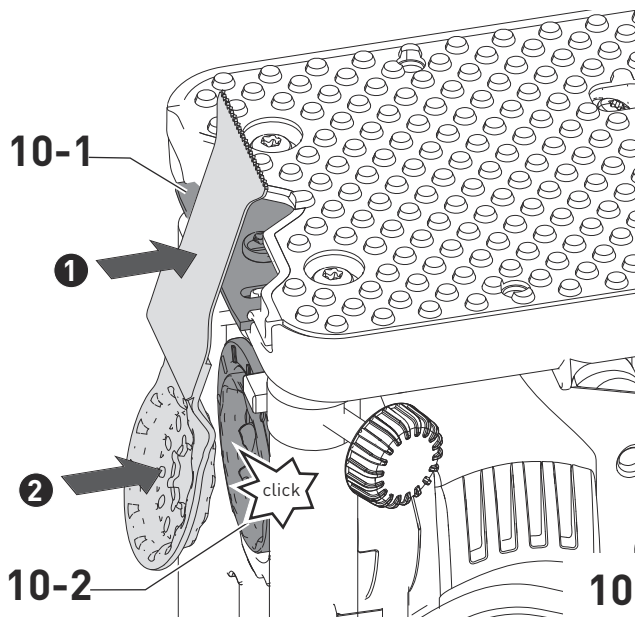


11b

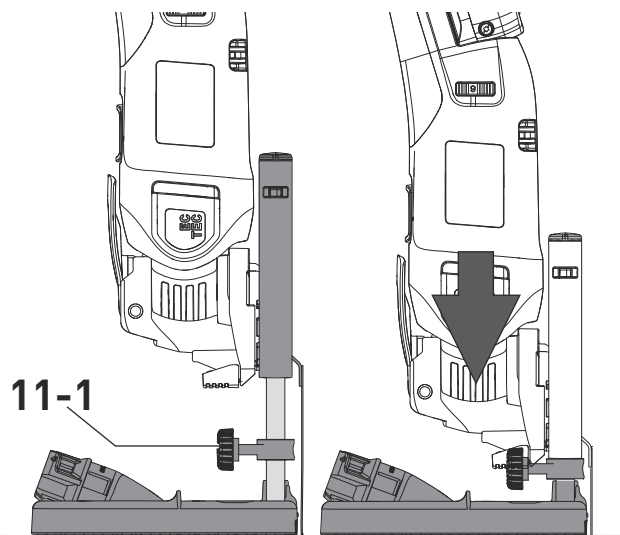
### Ajuste posterior de la guía para la hoja de sierra

Primero, comprobar si la herramienta se ha colocado en el orden correcto (ver la imagen [10]). Si la hoja de sierra no queda apoyada en la guía para la hoja de sierra:

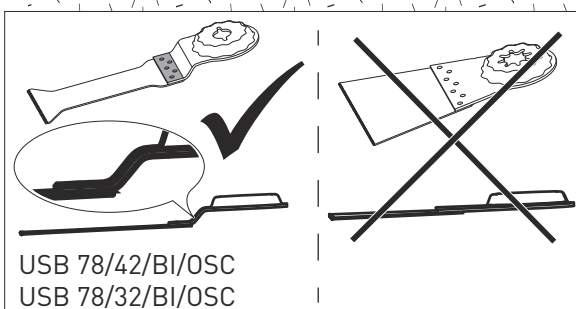
- ▶ Ajustar la profundidad de corte [11-1] a la profundidad máxima. Apretar el ajuste de la profundidad de corte [11-1].
- ▶ Aflojar el tornillo [12-1] de la guía para la hoja de sierra [12-2].
- ▶ Mover la guía para la hoja de sierra hasta la hoja de sierra.
- ▶ Apretar el tornillo [12-1] de la guía para la hoja de sierra.



10

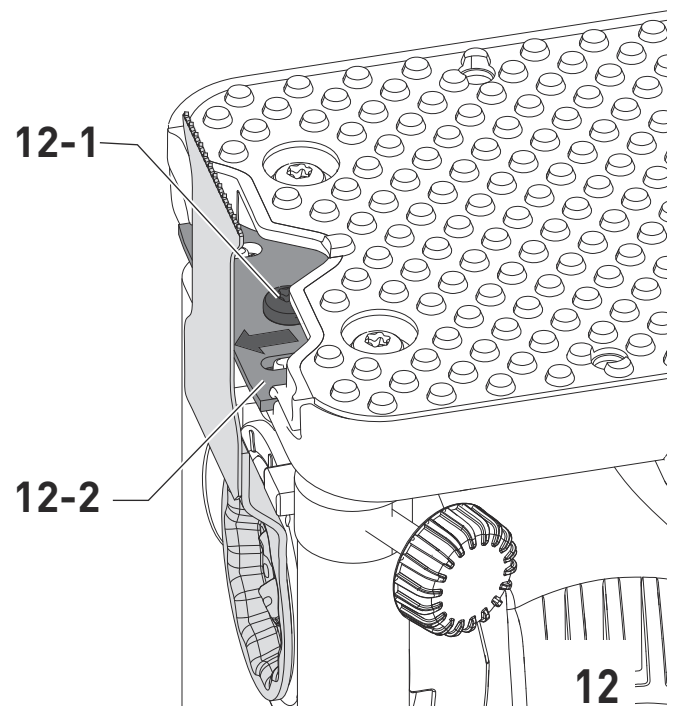


11-1



USB 78/42/BI/OSC  
USB 78/32/BI/OSC

11a



12

### 12.5 SYSTAINER

#### Systainer

Muchos de los productos Festool se entregan en un embalaje exclusivo denominado "Systainer" que sirve de protección a la herramienta y

sus complementos, además de facilitar su almacenamiento. Los Systainer pueden apilarse y encajan unos con otros. Además se adaptan sin problema a cualquier aparato de aspiración CT de Festool.

### Para abrir el Systainer



Gire el T-loc **[SYS-b-1]** a esta posición.

### Para cerrar el Systainer



Gire el T-loc **[SYS-b-1]** a esta posición.

### Para encajar dos Systainer

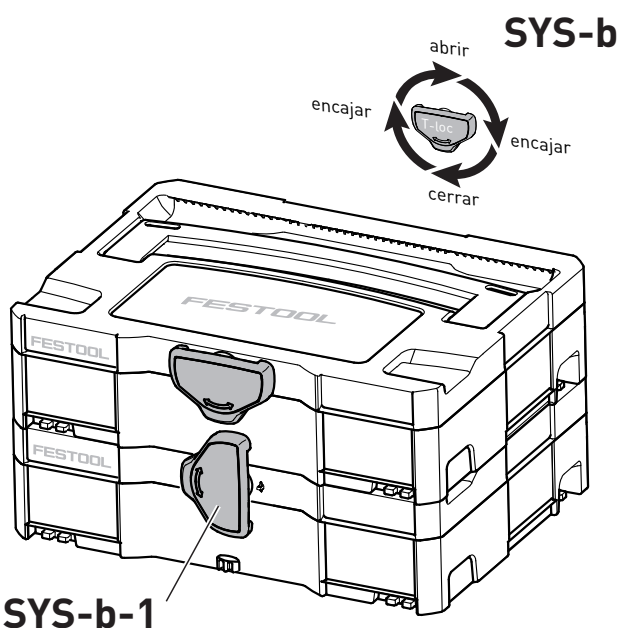
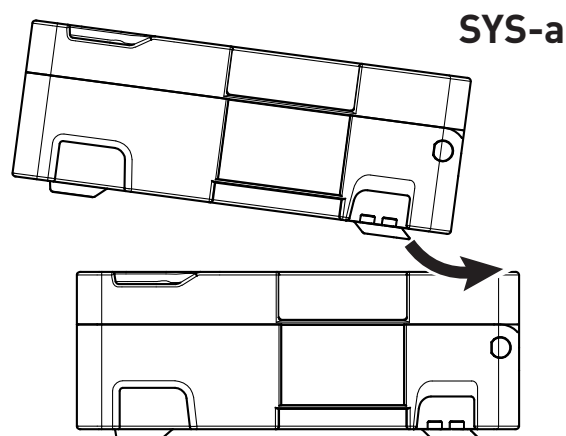
Ponga el Systainer sobre un otro **[SYS-a]**.



Gire el T-loc **[SYS-b-1]** a una de estas posiciones (Fig. **[SYS-b]**).

Los Systainers están encajados y cerrados.

- i** Un Systainer de la nueva generación es encajable encima de un Systainer de la generación anterior con los cuatro enganches del Systainer anterior.



## 13 Mantenimiento y cuidado



### ADVERTENCIA

#### Peligro de lesiones, electrocución

- Extraiga siempre la batería de la máquina antes de realizar cualquier trabajo de mantenimiento y conservación.



### ADVERTENCIA

**Cualquier trabajo de mantenimiento o reparación que requiera abrir el motor o la carcasa del engranaje deberá ser realizado únicamente por un Centro de Atención al Cliente (nombre proporcionado por su concesionario).**

- Los trabajos de mantenimiento o reparación realizados por una persona no autorizada podrían provocar la conexión incorrecta de los conductores de alimentación u otros componentes, lo que a su vez podría provocar accidentes con consecuencias graves.



### PRECAUCIÓN

**Algunos productos de limpieza y disolventes resultan perjudiciales para las piezas de plástico.**

- Algunos de ellos incluyen, entre otros, gasolina, acetona, metiletilacetona (MEK) y oxocloruro de carbono. Los productos de limpieza normalmente contienen cloro y amoníaco y los productos de limpieza del hogar contienen amoníaco.



### El servicio de atención al cliente y de reparaciones

solo está disponible a través del fabricante o de los talleres de reparación. Dirección más cercana en: [www.festool.es/servicio](http://www.festool.es/servicio)

### servicio



Utilizar solo piezas de recambio Festool originales. Referencia en: [www.festool.es/servicio](http://www.festool.es/servicio)

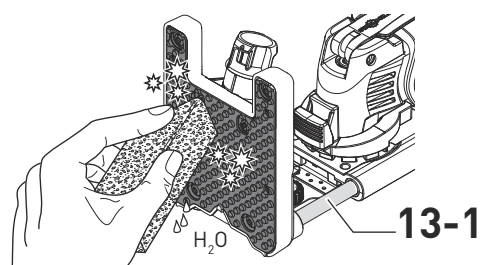
A fin de garantizar una correcta circulación del aire, las aberturas para el aire de refrigeración dispuestas en la carcasa del motor deben mantenerse libres y limpias.

Mantenga siempre limpios los puntos de conexión de la herramienta eléctrica, el cargador y la batería.

Al trabajar con materiales que contienen yeso puede sedimentarse polvo en el interior de la herramienta eléctrica y en el interruptor de conexión y desconexión, y endurecerse tras entrar en contacto con la humedad ambiental. Esto podría conllevar problemas en el mecanismo de conmutación. Después de cada mecanizado, limpie el interior de la herramienta eléctrica y del interruptor de conexión y desconexión introduciendo aire comprimido seco y sin aceite por los orificios de ventilación.

### 13.1 Indicaciones para la ayuda de posicionamiento

¡Limpiar las acumulaciones de polvo de las guías **[13-1]** y de la superficie de apoyo! De forma periódica, engrasar ligeramente las guías con aceite sin resinas (p. ej. aceite para máquinas de coser).



13

Comprobar que todas las advertencias de la herramienta eléctrica sean legibles y estén completas. Reemplazar las advertencias que falten o que no sean legibles.

## 14 Medio ambiente

**No deseche la herramienta junto con los residuos domésticos.** Recicle las herramientas, accesorios y embalajes de forma respetuosa con el medio ambiente. Respete la normativa vigente del país.

### Reciclaje de baterías



#### ADVERTENCIA

##### Riesgo de fuego o daños

- ▶ No intente desarmar la batería ni quitar ninguno de los componentes que sobresalen de las terminales de la batería.
- ▶ Antes de tirarla, proteja las terminales que están al descubierto con cinta adhesiva aislante gruesa para prevenir cortocircuitos.