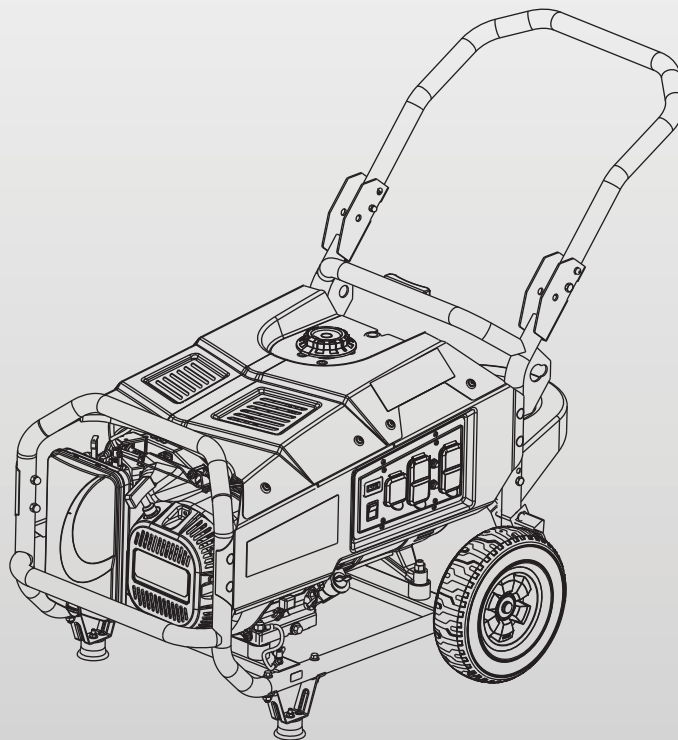


GENERAC®

Owner's Manual

5500 Watt LP Series Portable Generator

Model No. 006001-0



⚠ DANGER!

- ⚠ DEADLY EXHAUST FUMES! ONLY use OUTSIDE far away from windows, doors and vents!**
- ⚠ NOT INTENDED FOR USE IN CRITICAL LIFE SUPPORT APPLICATIONS.**
- ⚠ SAVE this manual. Provide this manual to any operator of the generator.**

WARNING!

California Proposition 65

Engine exhaust and some of its constituents are known to the state of California to cause cancer, birth defects, and other reproductive harm.

WARNING!

California Proposition 65

This product contains or emits chemicals known to the state of California to cause cancer, birth defects, and other reproductive harm.

Table of Contents

Section 1: Introduction and Safety Rules	1
1.1 Read This Manual Thoroughly	1
1.2 Safety Rules	1
Section 2: General Information	5
2.1 Unpacking	5
2.2 Assembly	5
2.3 Emissions Information	6
2.4 Product Specifications	6
2.5 Know The Generator	6
2.6 Connection Plugs	8
2.7 Hourmeter	8
Section 3: Operation	9
3.1 How To Use The Generator	9
3.2 Don't Overload the Generator	10
3.3 Wattage Reference Guide	10
3.4 Before Starting the Generator	11
3.5 Starting the Generator	12
3.6 Stopping The Engine	12
3.7 Low Oil Level Shutdown System	12
Section 4: Maintenance	13
4.1 Maintenance Schedule	13
4.2 General Recommendations	13
4.3 Service Air Filter	14
4.4 Valve Clearance	15
4.5 Generator Storage	15
4.6 Long Term Storage	16
4.7 Other Storage Tips	16
Section 5: Troubleshooting	17
5.1 Troubleshooting Guide	17

This page intentionally left blank.

Thank you for purchasing this model by Generac Power Systems, Inc. This model is a compact, high performance, air-cooled, engine driven generator designed to supply electrical power to operate electrical loads where no utility power is available or in place of utility due to a power outage.

1.1 — READ THIS MANUAL THOROUGHLY

If any portion of this manual is not understood, contact the nearest Authorized Dealer for starting, operating and servicing procedures.

The operator is responsible for proper and safe use of the equipment. We strongly recommend that the operator read this manual and thoroughly understand all instructions before using the equipment. We also strongly recommend instructing other users to properly start and operate the unit. This prepares them if they need to operate the equipment in an emergency.

The generator can operate safely, efficiently and reliably only if it is properly located, operated and maintained. Before operating or servicing the generator:

- Become familiar with and strictly adhere to all local, state and national codes and regulations.
- Study all safety warnings in this manual and on the product carefully.

Become familiar with this manual and the unit before use.

The manufacturer cannot anticipate every possible circumstance that might involve a hazard. The warnings in this manual, and on tags and decals affixed to the unit are, therefore, not all inclusive. If using a procedure, work method or operating technique that the manufacturer does not specifically recommend, ensure that it is safe for others. Also make sure the procedure, work method or operating technique utilized does not render the generator unsafe.

THE INFORMATION CONTAINED HEREIN WAS BASED ON MACHINES IN PRODUCTION AT THE TIME OF PUBLICATION. GENERAC RESERVES THE RIGHT TO MODIFY THIS MANUAL AT ANY TIME.

Save these instructions for future reference. If you loan this device to someone, ALWAYS loan these instructions to the individual as well.

1.2 — SAFETY RULES

Throughout this publication, and on tags and decals affixed to the generator, DANGER, WARNING, CAUTION and NOTE blocks are used to alert personnel to special instructions about a particular operation that may be hazardous if performed incorrectly or carelessly. Observe them carefully. Their definitions are as follows:

⚠ DANGER!

INDICATES A HAZARDOUS SITUATION OR ACTION WHICH, IF NOT AVOIDED, WILL RESULT IN DEATH OR SERIOUS INJURY.

⚠ CAUTION!

Indicates a hazardous situation or action which, if not avoided, could result in death or serious injury.

⚠ WARNING!

Indicates a hazardous situation or action which, if not avoided, could result in minor or moderate injury.

NOTE:

Notes contain additional information important to a procedure and will be found within the regular text body of this manual.

These safety warnings cannot eliminate the hazards that they indicate. Common sense and strict compliance with the special instructions while performing the action or service are essential to preventing accidents.

Four commonly used safety symbols accompany the DANGER, WARNING and CAUTION blocks. The type of information each indicates is as follows:



This symbol points out important safety information that, if not followed, could endanger personal safety and/or property of others.



This symbol points out potential explosion hazard.



This symbol points out potential fire hazard.




This symbol points out potential electrical shock hazard.

1.2.1 — General Hazards

- NEVER operate in an enclosed area, in a vehicle, or indoors EVEN IF doors and windows are open.
- For safety reasons, the manufacturer recommends that the maintenance of this equipment is carried out by an Authorized Dealer. Inspect the generator regularly, and contact the nearest Authorized Dealer for parts needing repair or replacement.
- Operate generator only on level surfaces and where it will not be exposed to excessive moisture, dirt, dust or corrosive vapors.
- Keep hands, feet, clothing, etc., away from drive belts, fans, and other moving parts. Never remove any fan guard or shield while the unit is operating.
- Certain parts of the generator get extremely hot during operation. Keep clear of the generator until it has cooled to avoid severe burns.
- Do NOT operate generator in the rain.
- Do not alter the construction of the generator or change controls which might create an unsafe operating condition.
- Never start or stop the unit with electrical loads connected to receptacles AND with connected devices turned ON. Start the engine and let it stabilize before connecting electrical loads. Disconnect all electrical loads before shutting down the generator.
- Do not insert objects through unit's cooling slots.
- When working on this equipment, remain alert at all times. Never work on the equipment when physically or mentally fatigued.
- Never use the generator or any of its parts as a step. Stepping on the unit can stress and break parts, and may result in dangerous operating conditions from leaking exhaust gases, fuel leakage, oil leakage, etc.

1.2.2 — Exhaust & Location Hazards

Never operate in an enclosed area or indoors! NEVER use in the home, in a vehicle, or in partly enclosed areas such as garages, EVEN IF doors and windows are open! ONLY use outdoors and far from open windows, doors, vents, and in an area that will not accumulate deadly exhaust.

⚠ DANGER	
Using a generator indoors CAN KILL YOU IN MINUTES.	
Generator exhaust contains carbon monoxide. This is a poison you cannot see or smell.	
	
NEVER use inside a home or garage, EVEN IF doors and windows are open.	Only use OUTSIDE and far away from windows, doors, and vents.

- The engine exhaust fumes contain carbon monoxide, which you cannot see or smell. This poisonous gas, if breathed in sufficient concentrations, can cause unconsciousness or even death.
- Adequate, unobstructed flow of cooling and ventilating air is critical to correct generator operation. Do not alter the installation or permit even partial blockage of ventilation provisions, as this can seriously affect safe operation of the generator. The generator MUST be operated outdoors.
- This exhaust system must be properly maintained. Do nothing that might render the exhaust system unsafe or in noncompliance with any local codes and/or standards.
- Always use a battery operated carbon monoxide alarm indoors, installed according to the manufacturers instructions.
- If you start to feel sick, dizzy, or weak after the generator has been running, move to fresh air IMMEDIATELY. See a doctor, as you could have carbon monoxide poisoning.

1.2.3 — Electrical Hazards

- The generator produces dangerously high voltage when in operation. Avoid contact with bare wires, terminals, connections, etc., while the unit is running, even on equipment connected to the generator. Ensure all appropriate covers, guards and barriers are in place before operating the generator.
- Never handle any kind of electrical cord or device while standing in water, while barefoot or while hands or feet are wet. **DANGEROUS ELECTRICAL SHOCK MAY RESULT.**
- The National Electric Code (NEC) requires the frame and external electrically conductive parts of the generator be properly connected to an approved earth ground. Local electrical codes may also require proper grounding of the generator. Consult with a local electrician for grounding requirements in the area.
- Use a ground fault circuit interrupter in any damp or highly conductive area (such as metal decking or steel work).
- Do not use worn, bare, frayed or otherwise damaged electrical cord sets with the generator.
- Before performing any maintenance on the generator, disconnect the engine starting battery (if equipped) to prevent accidental start up. Disconnect the cable from the battery post indicated by a NEGATIVE, NEG or (-) first. Reconnect that cable last.
- In case of accident caused by electric shock, immediately shut down the source of electrical power. If this is not possible, attempt to free the victim from the live conductor. **AVOID DIRECT CONTACT WITH THE VICTIM.** Use a non-conducting implement, such as a rope or board, to free the victim from the live conductor. If the victim is unconscious, apply first aid and get immediate medical help.

1.2.4 — Fire Hazards

- LP gas is highly EXPLOSIVE.
- Flammable gas under pressure can cause a fire or explosion if ignited.
- LP gas is heavier than air and can settle in low places while dissipating.
- LP gas has a distinctive odor added to help detect potential leaks quickly.
- In any propane gas fire, flames should not be extinguished unless by doing so the fuel supply valve can be turned OFF.
- If the fire is extinguished and a supply of fuel is not turned OFF, an explosion hazard greater than the fire hazard could be created.
- When exchanging LP cylinders, be sure the cylinder valve is of the same type.
- Wipe up any fuel or oil spills immediately. Ensure that no combustible materials are left on or near the generator. Keep the area surrounding the generator clean and free from debris and keep a clearance of five (5) feet on all sides to allow for proper ventilation of the generator.
- Do not insert objects through unit's cooling slots.
- **Do not** operate the generator if connected electrical devices overheat, if electrical output is lost, if engine or generator sparks or if flames or smoke are observed while unit is running.
- Keep a fire extinguisher near the generator at all times.

NOTE:

This generator is equipped with a spark arrestor muffler. The spark arrestor must be maintained in effective working order by the owner/operator. In the state of California, a spark arrestor is required by law (Section 4442 of the Public Resources Code). Other states may have similar laws. Federal laws apply on federal lands.

1.2.5 — Standards Index

1. National Fire Protection Association (NFPA) 70: The NATIONAL ELECTRIC CODE (NEC) available from www.nfpa.org
2. National Fire Protection Association (NFPA) 5000: BUILDING CONSTRUCTION AND SAFETY CODE available from www.nfpa.org
3. International Building Code available from www.iccsafe.org
4. Agricultural Wiring Handbook available from www.nerc.org , Rural Electricity Resource Council P.O. Box 309 Wilmington, OH 45177-0309
5. ASAE EP-364.2 Installation and Maintenance of Farm Standby Electric Power available from www.asabe.org, American Society of Agricultural & Biological Engineers 2950 Niles Road, St. Joseph, MI 49085

This list is not all inclusive. Check with the Authority Having Local Jurisdiction (AHJ) for any local codes or standards which may be applicable to your jurisdiction.

Model Number	
Serial Number	



Figure 1: Unit ID Location

This page intentionally left blank.

2.1 — Unpacking

- Remove all packaging material.
- Remove separate accessory box.
- Remove the generator from carton.

2.1.1 — Accessories

Check all contents. If any parts are missing or damaged, locate an authorized dealer at 1-888-436-3722.

- Product Registration and Warranty Cards
- 1 - Owner's Manual
- 1 - Liter Oil SAE 10W-30
- 2 - Never-Flat Wheels
- 2 - Frame Feet
- 1 - Fuel Cylinder Retaining Strap
- 1 - Oil Funnel
- 1 - Hardware Bag (containing the following):
 - 2-Rubber Feet (A)
 - 2-5/8" Axle Pins (B)
 - 2-Cotter Pins (Hairpin) (C)
 - 2-5/8" Flat Washers (D)
 - 4-M8 Bolt (Long) (E)
 - 2-M6 Bolts (Long) (F)
 - 4-Hex Flanged M8 Nuts (G)
 - 2-Hex Flanged M6 Nuts (H)
 - 1- Cotter Pin (Strap)

2.2 — Assembly

The generator requires some assembly prior to using it. If problems arise when assembling the generator, please call the Generator Help-line at 1-888-436-3722.

2.2.1 — Assembling the Accessory Kit

The wheels are designed into the unit to greatly improve the portability of the generator.

You will need the following tools to properly install the accessory kit.

- Needle Nose Pliers
- Ratchet and 8mm, 10mm, and 13mm sockets
- 12mm, 10mm, and 13mm box wrenches

NOTE:

The wheels are not intended for over-the-road use.

1. Refer to Figure 2-1 and install the Wheels as follows:
 - Slide the Axle Pin through the Wheel, Wheel Bracket on the frame and 5/8" Flat Washer.
 - Insert the Cotter Pin through the Axle Pin to lock into place.

2. Refer to Figure 2-2 and install the Frame Feet and Rubber Bumpers as shown.
 - Slide the Rubber Bumper M6 Bolts through the Frame Foot, Rubber Bumper. Then install the Locking Flange Nuts. Tighten securely.
 - Slide the Hex Head Bolts through the holes in the Frame Rail.
 - Slide the Frame Foot onto the Hex Head Bolts then install the Locking Flange Nuts. Tighten securely.

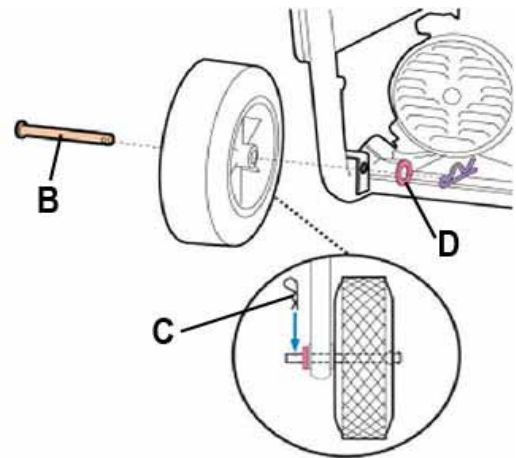


Figure 2-1: Wheel & Feet Assembly

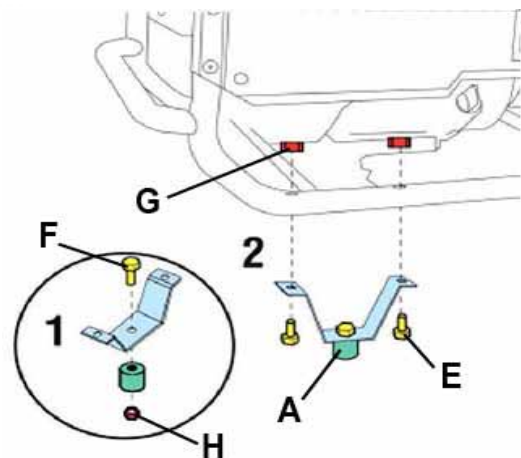


Figure 2-2: Frame Feet and Rubber Bumpers



Figure 2-3: Fuel Cylinder Retaining Strap

2.3 — Emissions Information

The Environmental Protection Agency (and California Air Resource Board for generators certified to CA standards) requires that this generator comply with exhaust and evaporative emission standards. Locate the emissions compliance decal on the engine to determine what standards the generator meets, and to determine which warranty applies. This generator is certified to operate on LP fuel (liquid propane). The emission control system includes the following components (if equipped):

- Air Induction System
 - Intake Pipe / Manifold
 - Air Cleaner
- Fuel System
 - Carburetor/Mixer Assembly
 - Fuel Regulator
- Ignition System
 - Spark Plug
 - Ignition Module
- Exhaust System
 - Exhaust Manifold
 - Muffler
 - Pulsed Air Valve
 - Catalyst

2.4 — Product Specifications

2.4.1 — Generator Specifications

Rated Power	5.5 kW***
Surge Power	6.875 kW
Rated AC Voltage	120/240
Rated AC Load	
Current @ 240V	22.9 Amps**
Current @ 120V	45.8 Amps**
Rated Frequency	60 Hz @3600 RPM
Phase.....	Single Phase
Operating Temperature Range	0° F (-17° C) to 110° F (43° C)*

* Operating temperature range: -18° C (0° F) to 40° C (104° F). When operated above 25° C (77° F) there may be a decrease in power.

** Maximum wattage and current are subject to, and limited by, such factors as fuel Btu content, ambient temperature, altitude, engine condition, etc.. Maximum power decreases about 3.5% for each 1,000 feet above sea level; and will also decrease about 1% for each 6° C (10° F) above 16° C (60° F) ambient temperature.

2.4.2 — Engine Specifications

Displacement	389 cc
Spark Plug Type	NHSP LDF7TC or Champion N9YC
Spark Plug Part No.	OG84420101
Spark Plug Gap	0.028-0.031 inch or (0.70-0.80 mm)
Fuel Capacity	20 or 30 Pounds LP Tank
Oil Type.....	See Chart in "Before Starting the Generator" Section
Oil Capacity	1.0 L (1.06 Qt.)
Run Time at 50% Load	
20 lb. LP Tank	4 Hours, 46 Min.
30 lb. LP Tank	7 Hours, 9 Min.

2.4.3 — High Altitude Operation

At high altitude, the standard carburetor air-fuel mixture will be too rich. Performance will decrease and fuel consumption will increase. A very rich mixture will also foul the spark plug and cause hard starting. Operation at an altitude that differs from that at which this engine was certified, for extended periods of time, may increase emissions. High altitude performance can be improved by specific modifications to the carburetor. If you always operate your engine at altitudes above 5,000 feet (1,500 meters), have your servicing dealer perform this carburetor modification. This engine, when operated at high altitude with the carburetor modifications for high altitude use, will meet each emission standard throughout its useful life.

See the table below to determine when an altitude kit is required..

Units	Fuel	Altitude Range*	Kit Part Numbers
5.5kW	LP	0 - 5000 ft	Not Required
		5000 - 7000 ft	0K2111
* Elevation above sea level. ** At elevations above 7000 feet the engine may experience decreased performance.			

NOTE:

Call 1-888-GENERAC to order an altitude kit if you are operating the generator at 5000 - 7000 feet.

2.5 — Know The Generator

Read the Owner’s Manual and Safety Rules before operating this generator.

Compare the generator to Figures 2-4 through 2-8 to become familiarized with the locations of various controls and adjustments.

1. **120 Volt AC, 20 Amp, Duplex Receptacle** – Supplies electrical power for the operation of 120 Volt AC, 20 Amp, single-phase, 60 Hz electrical lighting, appliance, tool and motor loads.
2. **120/240 Volt AC, 30 Amp Locking Receptacle** – Supplies electrical power for the operation of 120 and/or 240 Volt AC, 30 Amp, single-phase, 60 Hz, electrical lighting, appliance, tool and motor loads.
3. **Circuit Breakers (AC)** – A 2-pole circuit breaker protects the rated output of the generator. Each duplex receptacle is provided with a push-to-reset circuit breaker to protect the generator against electrical overload.
4. **Hourmeter** - Tracks hours of operation to perform required maintenance.

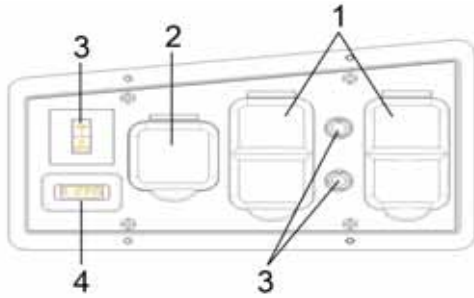


Figure 2-4: Control Panel

- 5. **Oil Drain** – Use to drain engine oil.
- 6. **Grounding Lug** – Ground the generator to an approved earth ground here. See "Grounding the Generator" for details.
- 7. **Oil Fill** – Add oil here and check level with dipstick.

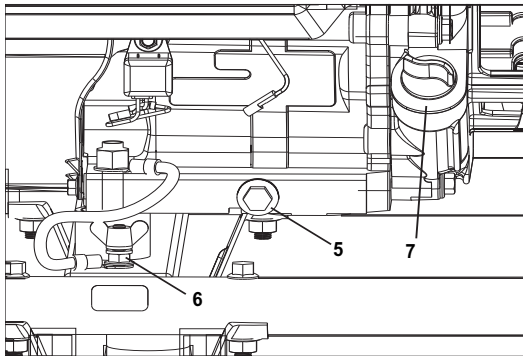


Figure 2-5: Generator Grounding & Oil Drain/Fill

- 8. **Air Filter** – Filters intake air as it is drawn into the engine.
- 9. **Muffler** – Quiets the engine, includes the spark arrestor.
- 10. **Recoil Starter Handle** – Use to start the engine manually.
- 11. **Handle** – Pivot and retract for storage. Press the spring-loaded button to move handles.
- 12. **Tank Bracket** – Supports the LP Fuel Cylinder with two (2) locking pins in place and folds up for transport or storage when not in use with one (1) locking pin.
- 13. **Fuel Tank** – Standard 20 or 30 pound capacity LP tank with Type 1, right hand Acme threads with protective cap (sold separately).
- 14. **Power Dial** – Combines the engine choke, the LP regulator Primer and the engine ignition On/Off switch in one location.
- 15. **Tank Strap** – Rubber strap assembly attaches to the cradle with a Cotter Pin on one side and slides into a keyhole slot on the other side of the cradle. Secure the LP Fuel Cylinder in place.
- 16. **Fuel Shut Off** – Valve is on the fuel tank.

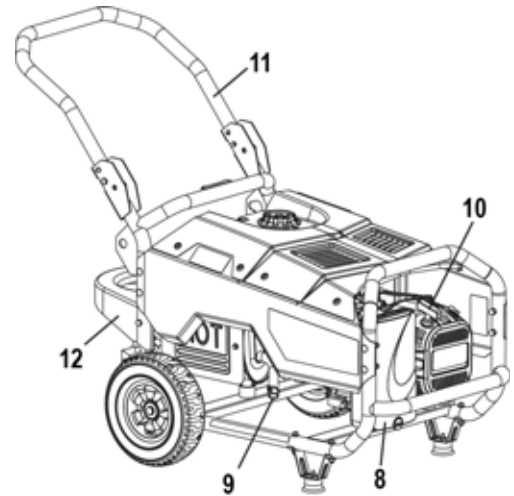


Figure 2-6: Generator Controls

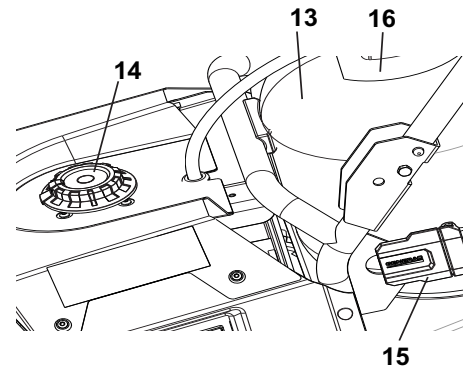


Figure 2-7: Generator Controls

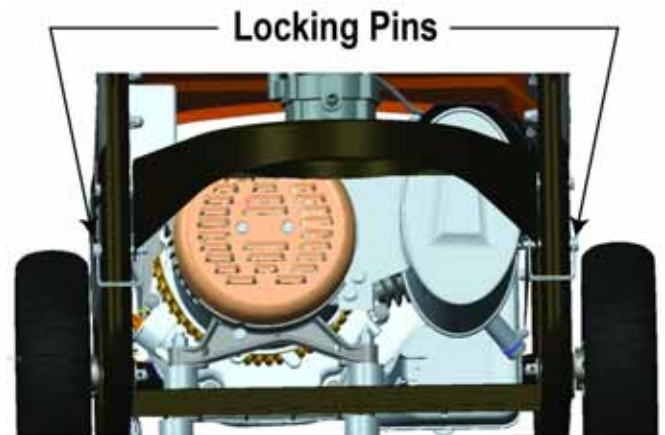


Figure 2-8: Tank Bracket

2.6 — Connection Plugs

2.6.1 — 120 VAC, 20 Amp, Duplex Receptacle

This is a 120 Volt outlet protected against overload by a 20 Amp push-to-reset circuit breaker (Figure 2-9). Use each socket to power 120 Volt AC, single phase, 60 Hz electrical loads requiring up to a combined 2400 watts (2.4 kW) or 20 Amps of current. Use only high quality, well-insulated, 3-wire grounded cord sets rated for 125 Volts at 20 Amps (or greater). Each outlet is protected by a 1-pole, 20 Amp, push-button circuit breaker.

Keep extension cords as short as possible, preferably less than 15 feet long, to prevent voltage drop and possible overheating of wires.

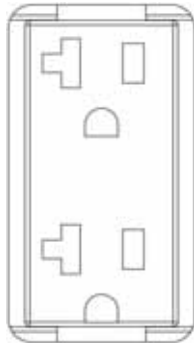


Figure 2-9: 120 Volt AC, 20 Amp, Duplex Receptacle

2.6.2 — 120/240 VAC, 30 Amp Receptacle

Use a NEMA L14-30P Plug with this receptacle (rotate to lock/unlock). Connect a suitable 4-wire grounded cord set to the plug and to the desired load. The cord set should be rated for 250 Volts AC at 30 Amps (or greater) (Figure 2-10).



Figure 2-10: 120/240 VAC, 30 Amp Receptacle

Use this receptacle to operate 120 Volt AC, 60 Hz, single phase loads requiring up to 3000 watts (3.0 kW) of power at 25 Amps or 240 Volt AC, 60 Hz, single phase loads requiring up to 5500 watts (5.5 kW) of power at 22.9 Amps. The outlet is protected by a 2-pole 25 Amp rocker type circuit breaker.

2.7 — Hourmeter

The Hourmeter tracks hours of operation for scheduled maintenance (Figure 2-11):

There will be a "CHG OIL" message every 100 hours. The message will flash one hour before and one hour after each 100 hour interval, providing a two hour window to perform service.

This message will actually begin flashing at 99 hours and disable itself at 101 hours again, providing a two hour window to perform the service.

Every 200 hours the "SVC" icon on the lower left hand corner of the display will flash. The message will flash one hour before and one hour after each 200 hour interval providing a two hour window to perform service.

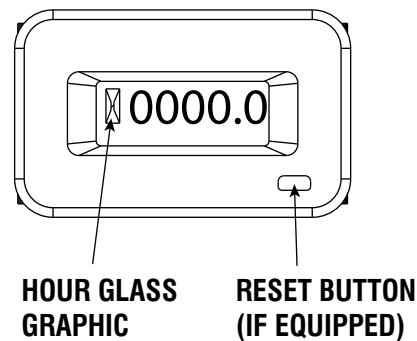


Figure 2-11: Hourmeter

When the hour meter is in the Flash Alert mode, the maintenance message will always alternate with elapsed time in hours and tenths. The hours will flash four times, then alternate with the maintenance message four times until the meter resets itself.

- 100 hours - CHG OIL — Oil Change Interval (Every 100 hrs)
- 200 hours - SVC — Service Air Filter (Every 200 hrs)

NOTE:

The hour glass graphic will flash on and off when the engine is running. This signifies that the meter is tracking hours of operation.

3.1 — How To Use The Generator

See the "To Start the Engine" section for how to safely start and stop the generator and how to connect and disconnect loads. If there are any problems operating the generator, please call the generator help-line at 1-888-436-3722.

⚠ DANGER!



Never operate in an enclosed area or indoors! NEVER use in the home, in a vehicle, or in partly enclosed areas such as garages, EVEN IF doors and windows are open! ONLY use outdoors and far from open windows, doors, vents, and in an area that will not accumulate deadly exhaust.



The engine exhaust fumes contain carbon monoxide, which you cannot see or smell. This poisonous gas, if breathed in sufficient concentrations, can cause unconsciousness or even death.



Adequate, unobstructed flow of cooling and ventilating air is critical to correct generator operation. Do not alter the installation or permit even partial blockage of ventilation provisions, as this can seriously affect safe operation of the generator. The generator MUST be operated outdoors.



This exhaust system must be properly maintained. Do nothing that might render the exhaust system unsafe or in noncompliance with any local codes and/or standards.



Always use a battery operated carbon monoxide alarm indoors, installed according to the manufacturer's instructions.

⚠ DANGER	
Using a generator indoors CAN KILL YOU IN MINUTES.	
Generator exhaust contains carbon monoxide. This is a poison you cannot see or smell.	
NEVER use inside a home or garage, EVEN IF doors and windows are open.	Only use OUTSIDE and far away from windows, doors, and vents.

3.1.1 — Grounding The Generator When Used As A Portable

This generator has an equipment ground that connects the generator frame components to the ground terminals on the AC output receptacles (see NEC 250.34 (A) for explanation). This allows the generator to be used as a portable without grounding the frame of the generator as specified in NEC 250.34.

3.1.1.1 — Special Requirements

There may be Federal or State Occupational Safety and Health Administration (OSHA) regulations, local codes, or ordinances that apply to the intended use of the generator.

Please consult a qualified electrician, electrical inspector, or the local agency having jurisdiction:

- In some areas, generators are required to be registered with local utility companies.
- If the generator is used at a construction site, there may be additional regulations which must be observed.

3.1.2 — Connecting The Generator To A Building's Electrical System

When connecting directly to a building's electrical system, it is recommended that a manual transfer switch is used. Connections for a portable generator to a building's electrical system must be made by a qualified electrician and in strict compliance with all national and local electrical codes and laws.

3.1.2.1 — Grounding The Generator In A Building Standby Application

⚠ WARNING!



The National Electrical Code requires that the frame and external electrically conductive parts of this generator be properly connected to an approved earth ground.

Local electrical codes may also require proper grounding of the unit (Figure 3-1). For that purpose, connecting a No. 10 AWG (American Wire Gauge) stranded copper wire to the grounding lug and to an earth-driven copper or brass grounding rod (electrode) provides adequate protection against electrical shock. However, local codes may vary widely. Consult with a local electrician for grounding requirements in the area.

Proper grounding of the generator will help prevent electrical shock in the event of a ground fault condition in the generator or in connected electrical devices. Proper grounding also helps dissipate static electricity, which often builds up in ungrounded devices.

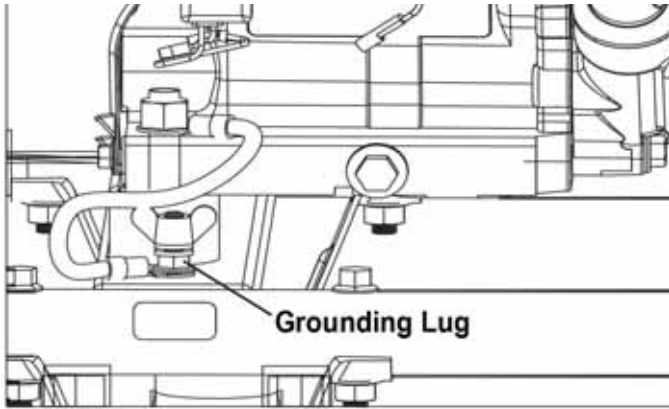


Figure 3-1: Grounding the Generator

3.2 — Don't Overload the Generator

Overloading a generator in excess of its rated wattage capacity can result in damage to the generator and to connected electrical devices. Observe the following to prevent overloading the unit:

- Add up the total wattage of all electrical devices to be connected at one time. This total should NOT be greater than the generator's wattage capacity.
- The rated wattage of lights can be taken from light bulbs. The rated wattage of tools, appliances and motors can usually be found on a data label or decal affixed to the device.
- If the appliance, tool or motor does not give wattage, multiply volts times ampere rating to determine watts (volts x amps = watts).
- Some electric motors, such as induction types, require about three times more watts of power for starting than for running. This surge of power lasts only a few seconds when starting such motors. Make sure to allow for high starting wattage when selecting electrical devices to connect to the generator:

1. Figure the watts needed to start the largest motor.
 2. Add to that figure the running watts of all other connected loads.
- The Wattage Reference Guide is provided to assist in determining how many items the generator can operate at one time.

NOTE:

All figures are approximate. See data label on appliance for wattage requirements.

3.3 — Wattage Reference Guide

Device	Running Watts
*Air Conditioner (12,000 Btu)	1700
*Air Conditioner (24,000 Btu)	3800
*Air Conditioner (40,000 Btu)	6000
Battery Charger (20 Amp)	500
Belt Sander (3")	1000
Chain Saw	1200
Circular Saw (6-1/2")	800 to 1000
*Clothes Dryer (Electric)	5750
*Clothes Dryer (Gas)	700
*Clothes Washer	1150
Coffee Maker	1750
*Compressor (1 HP)	2000
*Compressor (3/4 HP)	1800
*Compressor (1/2 HP)	1400
Curling Iron	700
*Dehumidifier	650
Disc Sander (9")	1200
Edge Trimmer	500
Electric Blanket	400
Electric Nail Gun	1200
Electric Range (per element)	1500
Electric Skillet	1250
*Freezer	700
*Furnace Fan (3/5 HP)	875
*Garage Door Opener	500 to 750
Hair Dryer	1200
Hand Drill	250 to 1100
Hedge Trimmer	450
Impact Wrench	500
Iron	1200
*Jet Pump	800
Lawn Mower	1200
Light Bulb	100
Microwave Oven	700 to 1000
*Milk Cooler	1100
Oil Burner on Furnace	300
Oil Fired Space Heater (140,000 Btu)	400
Oil Fired Space Heater (85,000 Btu)	225
Oil Fired Space Heater (30,000 Btu)	150
*Paint Sprayer, Airless (1/3 HP)	600
Paint Sprayer, Airless (hand-held)	150
Radio	50 to 200
*Refrigerator	700
Slow Cooker	200
*Submersible Pump (1-1/2 HP)	2800
*Submersible Pump (1 HP)	2000
*Submersible Pump (1/2 HP)	1500
*Sump Pump	800 to 1050
*Table Saw (10")	1750 to 2000
Television	200 to 500
Toaster	1000 to 1650
Weed Trimmer	500

* Allow 3 times the listed watts for starting these devices.

3.4 — Before Starting the Generator

Prior to operating the generator, engine oil and LP fuel will need to be added, as follows:

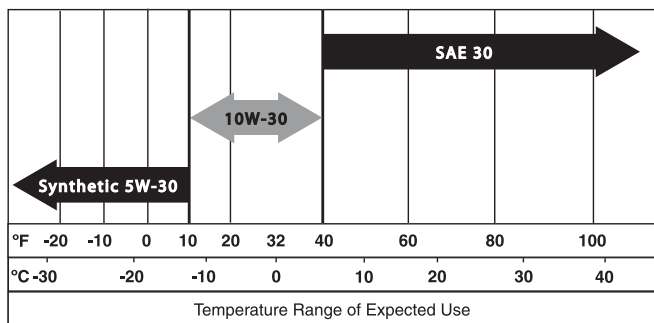
3.4.1 — Adding Engine Oil

All oil should meet minimum American Petroleum Institute (API) Service Class SJ, SL or better. Use no special additives. Select the oil's viscosity grade according to the expected operating temperature (also see chart).

- Above 40° F, use SAE 30
- Below 40° F and down to 10° F, use 10W-30
- Below 10° F, use synthetic 5W-30

NOTE:

Synthetic oil should only be used after a 50 hour break-in period. This is important to ensure proper cylinder wall and ring seating.



⚠ CAUTION!

Any attempt to start the engine before it has been properly serviced with the recommended oil may result in an engine failure.

1. Place generator on a level surface (not to exceed 15° in any direction).
2. Clean area around oil fill and remove oil fill cap and dipstick.
3. Wipe dipstick clean.
4. Slowly fill engine with oil through the oil fill opening until it reaches the full mark. Stop filling occasionally to check oil level. **Be careful not to over fill.**
5. Install oil fill cap and finger tighten securely.
6. Check engine oil level before starting each time thereafter.

3.4.2 — Connecting LP Fuel Tank

⚠ DANGER!

Do not use or store LP cylinder in a building, garage or enclosed area except as authorized by NFPA 58 or B149.2 (in Canada).

Do not check for leaks with a match or flame.

The cylinder valve should be left off (closed) when the generator is not in use.

NOTE:

LP vapor regulator inlet pressure is 30 psi at 0 °F, and 218 psi at 100 °F.

- Use only standard 20 or 30 pound capacity LP tanks with Type 1, right hand Acme threads with this generator. Verify the re-qualification date on the tank has not expired. Do not use rusted or damaged cylinders.
- All new cylinders must be purged of air and moisture prior to filling. Used cylinders that have not been plugged or kept closed must also be purged.
- The purging process should be done by your propane gas supplier. (Cylinders from an exchange supplier should have been purged and filled properly already).
- Lift the tank and place carefully in the rear tank bracket with the connection point facing the front of the generator (Figure 3-2).
- Insert the fixed end into the side bracket with the smaller hole and slide cotter pin in place. Firmly grasping the pivot end, stretch the tank strap around the cylinder and slide the peg into the keyhole in the other bracket.
- Remove the safety plug or cap from the cylinder valve.
- Attach the connector snugly into the valve. Remember, turn the plastic coupling from the hose right to tighten or clockwise.
- Always position the cylinder so the connection between the valve and the regulator won't cause sharp bends or kinks in the hose.



Figure 3-2: Position Tank

- Check for leaks by spraying soapy water to the connections being tested.
- If bubbles appear, become larger in size or increase in number, a leak exists.
- This must be corrected before using the generator. Contact your local Authorized Service Facility for assistance.
- Contact with liquid contents of the cylinder will cause freeze burns to the skin.
- Do not allow children to tamper or play with the cylinder.

- When transporting and storing, keep cylinder secured in an upright position with cylinder valve turned off and the outlet plugged. (usually by a plastic protective cap). Keep cylinders away from heat and ventilated when in a vehicle.

3.5 — Starting the Generator

⚠ WARNING!

⚡ Never start or stop engine with electrical devices plugged into the receptacles AND devices turned on.

1. Unplug all electrical loads from the unit's receptacles before starting the engine.
2. Make sure the unit is in a level position (not to exceed 15° in any direction).
3. OPEN the Fuel Shut-off Valve on the cylinder (Figure 3-2).
4. Turn engine POWER DIAL (Figure 3-3) to the #1 PRIME position and press down on the dial for five (5) seconds to allow fuel to enter the mixer.
5. Grasp the recoil handle and pull slowly until increased resistance is felt. Brace one foot on the frame cross bar, and then pull rapidly up and away twice to PRIME the fuel system.
6. Turn the POWER DIAL to the #2 RUN position.
7. Grasp the recoil handle and pull slowly until increased resistance is felt. Brace one foot on the frame cross bar, and then pull rapidly up and away to start the engine. Pull recoil up to two (2) more times if necessary to start the engine.

NOTE:

If engine does not start or stay running, repeat the start sequence starting at Step 4 above.

IMPORTANT: Do not overload the generator. Also, do not overload individual panel receptacles. These outlets are protected against overload with push-to-reset-type circuit breakers. If amperage rating of any circuit breaker is exceeded, that breaker opens and electrical output to that receptacle is lost. Read "Don't Overload the Generator" carefully.



Figure 3-3: Power Dial

3.6 — Stopping The Engine

1. Shut off all loads, then unplug the electrical loads from generator panel receptacles. Never start or stop the engine with electrical devices plugged in and turned on.
2. Let engine run at no-load for several minutes to stabilize the internal temperatures of engine and generator.
3. Move the Power Dial to OFF/STOP position.
4. Close fuel valve.

3.7 — Low Oil Level Shutdown System

The engine is equipped with a low oil level sensor that shuts down the engine automatically when the oil level drops below a specified level. If the engine shuts down by itself and the cylinder has sufficient fuel, check engine oil level.

4.1 — Maintenance Schedule

Follow the calendar intervals. More frequent service is required when operating in adverse conditions noted below.

Check Oil Level.....	At Each Use
Change Oil ‡.....	*Every 100 hours or Every Season
Check Valve Clearance	***Every Season
Service Air Filter	** Every 200 hours or Every Season
Replace Spark Plug	Every Season

‡ Change oil after first 30 hours of operation then every season.

* Change oil and oil filter every month when operating under heavy load or in high temperatures.

** Clean more often under dirty or dusty operating conditions. Replace air filter parts if they cannot be adequately cleaned.

*** Check valve clearance and adjust if necessary after first 50 hours of operation and every 300 hours thereafter. This requires some engine disassembly. We recommend contacting an Authorized Service Dealer for this adjustment.

NOTE:

Once a year replace the spark plug and replace the air filter. A new spark plug and clean air filter assure proper fuel-air mixture and help the engine run better and last longer.

4.2 — General Recommendations

The warranty of the generator does not cover items that have been subjected to operator abuse or negligence. To receive full value from the warranty, the operator must maintain the generator as instructed in this manual.

Some adjustments will need to be made periodically to properly maintain the generator.

All adjustments in the Maintenance section of this manual should be made at least once each season. Follow the requirements in the "Maintenance Schedule".

4.2.1 — Generator Maintenance

Generator maintenance consists of keeping the unit clean and dry. Operate and store the unit in a clean dry environment where it will not be exposed to excessive dust, dirt, moisture or any corrosive vapors. Cooling air slots in the generator must not become clogged with snow, leaves, or any other foreign material.

Check the cleanliness of the generator frequently and clean when dust, dirt, oil, moisture or other foreign substances are visible on its exterior surface.

⚠ CAUTION!



Never insert any object or tool through the air cooling slots, even if the engine is not running.

4.2.2 — To Clean The Generator

- Use a damp cloth to wipe exterior surfaces clean.
- A soft, bristle brush may be used to loosen caked on dirt, oil, etc.
- A vacuum cleaner may be used to pick up loose dirt and debris.
- Low pressure air (not to exceed 25 psi) may be used to blow away dirt. Inspect cooling air slots and openings on the generator. These openings must be kept clean and unobstructed.

NOTE:

DO NOT use a garden hose to clean generator. Water can enter the engine fuel system and cause problems. In addition, if water enters the generator through cooling air slots, some water will be retained in voids and crevices of the rotor and stator winding insulation. Water and dirt buildup on the generator internal windings will eventually decrease the insulation resistance of these windings.

4.2.3 — Engine Maintenance

⚠ DANGER!



When working on the generator, always disconnect spark plug wire from spark plug and keep wire away from spark plug.

4.2.4 — Checking Oil Level

See the "Before Starting the Generator" section for information on checking the oil level. The oil level should be checked before each use, or at least every eight hours of operation. Keep the oil level maintained.

4.2.5 — Changing The Oil

Change the oil after the first 30 hours and every 100 hours thereafter. If running this unit under dirty or dusty conditions, or in extremely hot weather, change the oil more often.

⚠ CAUTION!



Hot oil may cause burns. Allow engine to cool before draining oil. Avoid prolonged or repeated skin exposure with used oil. Thoroughly wash exposed areas with soap.

Use the following instructions to change the oil after the engine cools down:

1. Clean area around oil drain plug (Figure 4-1).
2. Remove oil drain plug from engine and oil fill plug to drain oil completely into a suitable container.
3. When oil has completely drained, install oil drain plug and tighten securely.

4. Fill engine with recommended oil. (See "Before Starting the Generator" for oil recommendations).
5. Wipe up any spilled oil.
6. Dispose of used oil at a proper collection center.

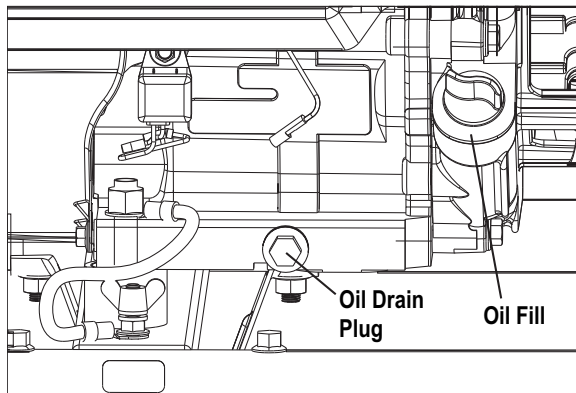


Figure 4-1: Oil Drain Plug

4.2.6 — Replacing The Spark Plug

Use Champion N9YC spark plug or equivalent. Replace the plug every 200 hours.

1. Stop the engine and shut off the fuel valve on the cylinder and remove.
2. Using a 5mm Allen wrench, remove the four (4) button head screws to the top cover and remove the front top cover to gain access to the spark plug (Figure 4-2).

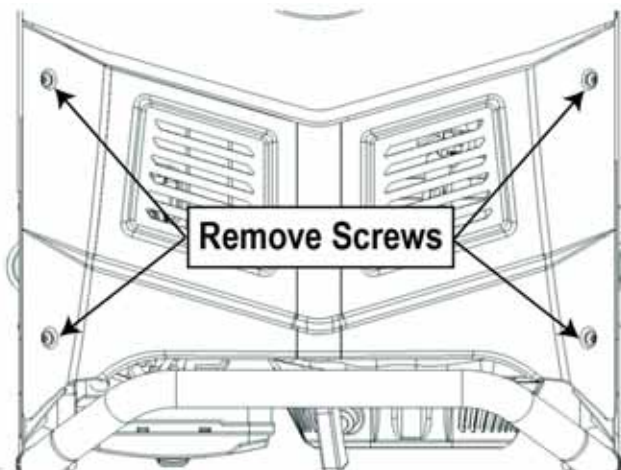


Figure 4-2: Remove Screws

3. Remove the spark plug wire off of the plug and clean that area of the cylinder head (Figure 4-3).

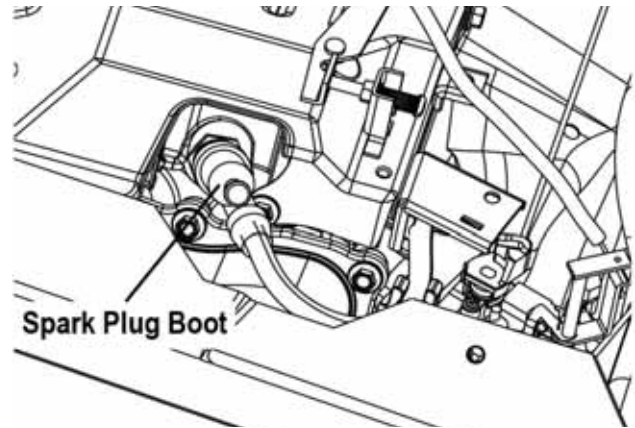


Figure 4-3: Remove Spark Plug Wire

4. Use a 21mm (13/16") spark plug tool (included) to remove the spark plug.
5. Set the new spark plug's gap to 0.70-0.80 mm (0.028 – 0.031 in). Install the correctly gapped spark plug into the cylinder head and tighten enough to ensure the gasket compresses at (18.0 to 21.6 Pound/Feet) (Figure 4-4).
6. Reconnect the spark plug wire and replace the front top cover and four (4) fasteners.

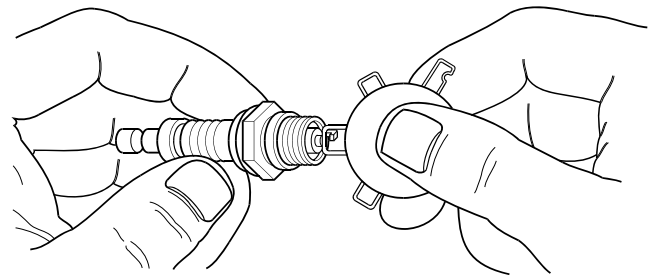


Figure 4-4: Spark Plug Gap

4.3 — Service Air Filter

The engine will not run properly and may be damaged if using a dirty air filter. Clean the air filter every 50 hours or once a year (Figure 4-5). Clean or replace more often if operating under dusty conditions. The air filter part number is OJ47870141.

1. Remove air filter cover.
2. Wash in soapy water. Squeeze filter dry in clean cloth (DO NOT TWIST).
3. Clean air filter cover before re-installing it.

NOTE:

To order a new air filter, please contact the nearest authorized service center at 1-888-436-3722.

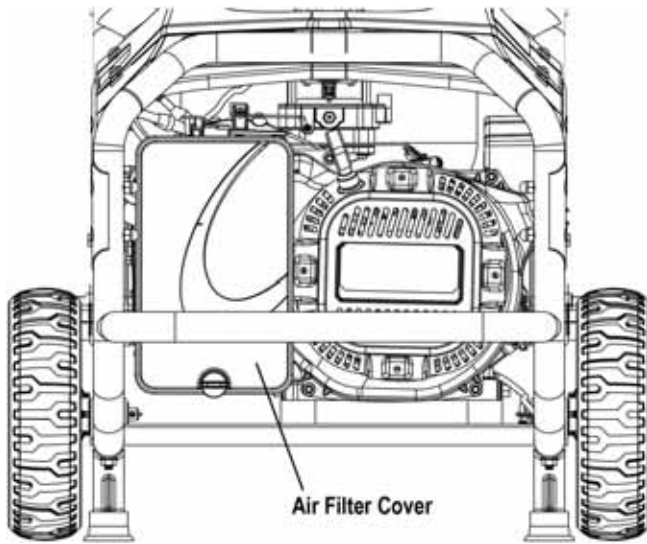


Figure 4-5: Air Filter

4.3.1 — Clean Spark Arrestor Screen

The engine exhaust muffler has a spark arrestor screen. Inspect and clean the screen at least once each year (Figure 4-6). If unit is used regularly, inspect and clean more often.

⚠ DANGER!



If using the generator on any forest-covered, brush-covered or grass-covered unimproved land, it must be equipped with a spark arrestor. The spark arrestor must be maintained in good condition by the owner/operator.

Clean and inspect the spark arrestor when the engine is at ambient temperature as follows:

1. Remove the spark arrestor screen from the muffler by loosening the clamp and removing the screw.
2. Inspect screen and replace if torn, perforated or otherwise damaged. DO NOT USE a defective screen. If screen is not damaged, clean it with commercial solvent.
3. Replace the spark arrestor and secure with the clamp and screw.

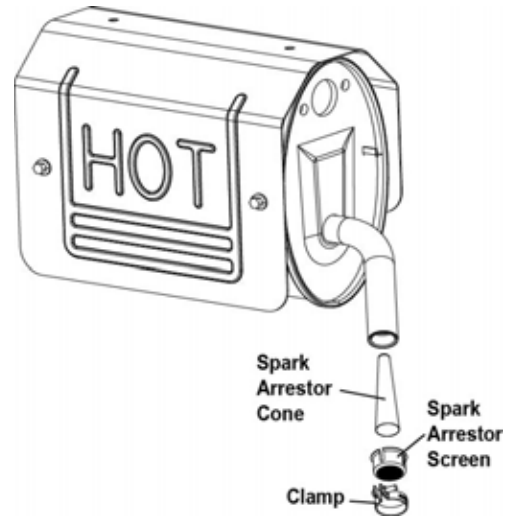


Figure 4-6: Spark Arrestor Screen

NOTE:

To order a new air filter or spark arrestor screen, please contact the nearest authorized service center at 1-800-333-1322.

4.4 — Valve Clearance

- Intake — $0.15 \pm 0.02\text{mm}$ (cold), ($0.006'' \pm 0.0008''$)
- Exhaust — $0.20 \pm 0.02\text{mm}$ (cold) ($0.008'' \pm 0.0008''$)

After the first 50 hours of operation, check the valve clearance in the engine and adjust if necessary.

Important: If feeling uncomfortable about doing this procedure or the proper tools are not available, please take the generator to the nearest service center to have the valve clearance adjusted. This is a very important step to ensure longest life for the engine.

4.5 — Generator Storage

The generator should be started at least once every 30 days and be allowed to run at least 30 minutes. If this cannot be done and the unit must be stored for more than 30 days, use the following information as a guide to prepare it for storage.

⚠ DANGER!



Allow unit to cool entirely before storage.

4.6 — Long Term Storage

1. Drain oil from crankcase after the engine cools down. Refill with recommended grade.
2. Remove spark plug and pour about 1/2 ounce (15 ml) of engine oil into the cylinder. Cover spark plug hole with rag. Pull the recoil starter a couple times to lubricate the piston rings and cylinder bore. A fogging agent can be used in place of oil.

⚠ CAUTION!



Avoid spray from spark plug hole when cranking engine.

3. Install and tighten spark plug. Do not connect spark plug wire.
4. Clean the generator outer surfaces. Check that cooling air slots and openings on generator are open and unobstructed.
5. Store the unit in a clean, dry place.

4.7 — Other Storage Tips

- If possible, store the unit indoors and cover it to give protection from dust and dirt. **BE SURE TO CLOSE THE VALVE ON THE FUEL TANK.**
- Cover the unit with a suitable protective cover that does not retain moisture.

⚠ DANGER!



NEVER cover the generator while engine and exhaust areas are warm.

5.1 — Troubleshooting Guide

PROBLEM	CAUSE	CORRECTION
Engine is running, but no AC output is available.	<ol style="list-style-type: none"> 1. Circuit breaker is open. 2. Poor connection or defective cord set. 3. Connected device is bad. 4. Fault in generator. 	<ol style="list-style-type: none"> 1. Reset circuit breaker. 2. Check and repair. 3. Connect another device that is in good condition. 4. Contact Authorized Service Facility.
Engine runs well but bogs down when loads are connected.	<ol style="list-style-type: none"> 1. Short circuit in a connected load. 2. Generator is overloaded. 3. Engine speed is too slow. 4. Shorted generator circuit. 	<ol style="list-style-type: none"> 1. Disconnect shorted electrical load. 2. See "Don't Overload the Generator". 3. Contact Authorized Service Facility. 4. Contact Authorized Service Facility.
Engine will not start; or starts and runs rough.	<ol style="list-style-type: none"> 1. Fuel Shut-off is OFF. 2. Dirty air filter. 3. Out of fuel. 4. Spark plug wire not connected to spark plug. 5. Bad spark plug. 6. Water in fuel or cylinder overfilled. 7. Low oil level. 8. Excessive rich fuel mixture. 9. Intake valve stuck open or closed. 10. Engine has lost compression. 	<ol style="list-style-type: none"> 1. Turn Fuel Shut-off ON. 2. Clean or replace air filter. 3. Replace the fuel tank. 4. Connect wire to spark plug. 5. Replace spark plug. 6. Replace fuel (LP) cylinder. 7. Fill crankcase to proper level. 8. Contact Authorized Service Facility. 9. Contact Authorized Service Facility. 10. Contact Authorized Service Facility.
Engine shuts down during operation.	<ol style="list-style-type: none"> 1. Out of fuel. 2. Low oil level. 3. Fault in engine. 	<ol style="list-style-type: none"> 1. Replace the fuel tank. 2. Fill crankcase to proper level. 3. Contact Authorized Service Facility.
Engine lacks power.	<ol style="list-style-type: none"> 1. Load is too high. 2. Dirty air filter. 3. Engine needs to be serviced. 	<ol style="list-style-type: none"> 1. Reduce load (see "Don't Overload the Generator"). 2. Clean or replace air filter. 3. Contact Authorized Service Facility.
Engine "hunts" or falters.	<ol style="list-style-type: none"> 1. Carburetor is running too rich or too lean. 	<ol style="list-style-type: none"> 1. Contact Authorized Service Facility.

This page intentionally left blank.



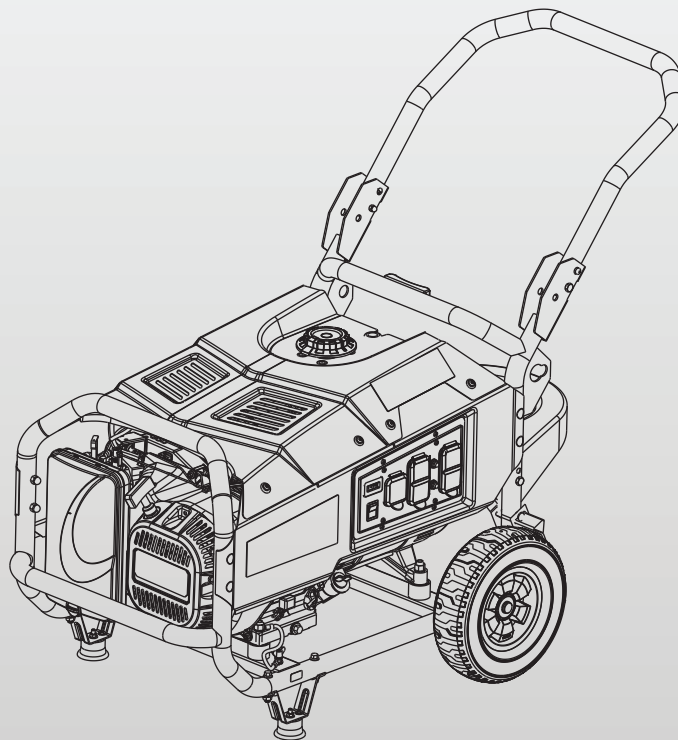
Part No. 0J7855 Rev C 05/15/14
© Generac Power Systems, Inc. All rights reserved
Specifications are subject to change without notice.
No reproduction allowed in any form without prior written
consent from Generac Power Systems, Inc.

Generac Power Systems, Inc.
S45 W29290 Hwy. 59
Waukesha, WI 53189
1-888-GENERAC (1-888-436-3722)
generac.com

Manual del propietario

Generador portátil serie LP de 5500 W

Núm. de modelo 006001-0



⚠ ¡PELIGRO!

- ⚠ ¡GASES DE ESCAPE MORTALES!**
¡Use ÚNICAMENTE EN EXTERIORES,
lejos de ventanas, puertas y ventilaciones!
- ⚠ NO ESTÁ DESTINADO AL USO EN APLICACIONES
CRÍTICAS DE SOPORTE A LA VIDA HUMANA**
- ⚠ GUARDE este manual. Proporcione este manual
a todos los operadores del generador**

ADVERTENCIA!

Proposición 65 de California

El escape del motor y algunos de sus componentes son conocidos por el Estado de California como causa de cáncer, defectos congénitos y otros daños reproductivos.

ADVERTENCIA!

Proposición 65 de California

Este producto contiene o emite sustancias químicas que son conocidas por el Estado de California como causa de cáncer, defectos congénitos y otros daños reproductivos.

Índice

Sección: 1 Introducción y reglas de seguridad	1
1.1 Lea este manual minuciosamente	1
1.2 Reglas de seguridad	1
Sección: 2 Información general	5
2.1 Desembalaje	5
2.2 Armado	5
2.3 Información sobre emisiones	6
2.4 Especificaciones del producto	6
2.5 Conozca el generador	7
2.6 Enchufes de conexión	8
2.7 Horómetro	8
Sección: 3 Funcionamiento	11
3.1 Cómo usar el generador	11
3.2 No sobrecargue el generador	12
3.3 Guía de referencia de potencia en watts	12
3.4 Antes de arrancar el generador	13
3.5 Puesta en marcha del generador	14
3.6 Parada del motor	14
3.7 Sistema de apagado por nivel de aceite bajo	14
Sección: 4 Mantenimiento	15
4.1 Programa de mantenimiento	15
4.2 Recomendaciones generales	15
4.3 Servicio del filtro de aire	17
4.4 Luz de válvulas	17
4.5 Almacenamiento del generador	17
4.6 Almacenamiento a largo plazo	18
4.7 Otros consejos sobre el almacenamiento	18
Sección: 5 Resolución de problemas	19
5.1 Guía de resolución de problemas	19

Esta página ha sido dejada en blanco intencionalmente.

Muchas gracias por haber comprado este modelo de Generac Power Systems, Inc. Este modelo es un generador impulsado por motor, compacto, de alto rendimiento y refrigerado por aire diseñado para suministrar alimentación eléctrica para utilizar cargas eléctricas donde no haya alimentación de servicio público disponible o como reemplazo de dicha alimentación debido a un apagón.

1.1 — LEA ESTE MANUAL MINUCIOSAMENTE

Si una parte de este manual no se comprende, comuníquese con el concesionario autorizado más cercano para conocer los procedimientos de arranque, operación y mantenimiento.

El operador es responsable del uso correcto y seguro del equipo. Recomendamos firmemente que el operador lea este manual y comprenda completamente todas las instrucciones antes de usar el equipo. También recomendamos firmemente instruir a otras personas en el arranque y la operación correctos de la unidad. Esto las prepara en el caso de que deban operar el equipo en una emergencia.

El generador puede funcionar de manera segura, eficiente y fiable solo si es ubicado, operado y mantenido correctamente. Antes de operar el generador o darle servicio:

- Familiarícese con todos los códigos y reglamentos locales, estatales y nacionales, y cúmplalos de manera estricta.
- Estudie todas las advertencias de seguridad indicadas en este manual y en el producto minuciosamente.

Familiarícese con este manual y la unidad antes del uso.

El fabricante no puede prever todas las circunstancias posibles que podrían involucrar un peligro. Las advertencias de este manual y los rótulos y etiquetas adhesivas fijados en la unidad, por lo tanto, no son exhaustivos. Si usa un procedimiento, método de trabajo o técnica de funcionamiento que el fabricante no recomienda específicamente, asegúrese de que sea seguro para otras personas. Asegúrese también de que el procedimiento, método de trabajo o técnica de funcionamiento utilizado no vuelvan inseguro al generador.

LA INFORMACIÓN QUE FIGURA EN EL PRESENTE SE BASÓ EN MÁQUINAS QUE ESTABAN EN PRODUCCIÓN AL MOMENTO DE LA PUBLICACIÓN. GENERAC SE RESERVA EL DERECHO DE MODIFICAR ESTE MANUAL EN CUALQUIER MOMENTO.

Guarde estas instrucciones para referencia en el futuro. Si presta este dispositivo a otra persona, SIEMPRE entréguele también esta instrucciones.

1.2 — REGLAS DE SEGURIDAD

En toda esta publicación, en los rótulos y en las etiquetas adhesivas fijadas en el generador, los bloques de PELIGRO, ADVERTENCIA, PRECAUCIÓN y NOTA se usan para alertar al personal sobre instrucciones especiales acerca de una operación en particular que puede ser peligrosa si se efectúa de manera incorrecta o imprudente. Obsérvelos cuidadosamente. Sus definiciones son las siguientes:

¡PELIGRO!

INDICA UNA SITUACIÓN O ACCIÓN PELIGROSA QUE, SI NO SE EVITA, OCASIONARÁ LA MUERTE O LESIONES GRAVES.

¡PRECAUCIÓN!

Indica una situación o acción peligrosa que, si no se evita, podría ocasionar la muerte o lesiones graves.

¡ADVERTENCIA!

Indica una situación o acción peligrosa que, si no se evita, podría ocasionar lesiones leves o moderadas.

NOTA:

Las notas contienen información adicional importante para un procedimiento y se encuentran dentro del texto del cuerpo de este manual.

Estas advertencias de seguridad no pueden eliminar los peligros que indican. El sentido común y el cumplimiento estricto de las instrucciones especiales mientras se desarrolla la acción o el servicio son esenciales para la prevención de accidentes.

Cuatro símbolos de seguridad de uso común acompañan a los bloques de **PELIGRO**, **ADVERTENCIA** y **PRECAUCIÓN**. Cada uno indica el siguiente tipo de información:



Este símbolo señala información de seguridad importante que, si no se respeta, podría poner en peligro la seguridad personal y/o material de terceros.



Este símbolo señala un posible peligro de explosión.



Este símbolo señala un posible peligro de incendio.



Este símbolo señala un posible peligro de choque eléctrico.

1.2.1 — Peligros generales

- NUNCA opere la unidad en una zona confinada, en un vehículo o en interiores, AUN SI las puertas y ventanas están abiertas.
- Por motivos de seguridad, el fabricante recomienda que el mantenimiento de este equipo sea efectuado por un concesionario autorizado. Inspeccione el generador regularmente, y póngase en contacto con el concesionario autorizado más cercano en relación con las piezas que necesitan reparación o sustitución.
- Utilice el generador solamente sobre superficies niveladas y donde no esté expuesto a humedad, suciedad, polvo o vapores corrosivos excesivos.
- Mantenga las manos, pies, ropa, etc. alejados de las correas de transmisión y otras piezas en movimiento. Nunca retire ningún protector o escudo de ventilador mientras la unidad esté funcionando.
- Algunas piezas del generador se calientan en extremo durante el funcionamiento. Manténgase alejado del generador hasta que se haya enfriado para evitar quemaduras graves.
- NO use el generador debajo de la lluvia.
- No modifique la construcción del generador o cambie los controles, ya que podrían generarse condiciones de funcionamiento inseguro.
- Nunca arranque o pare la unidad con cargas eléctricas conectadas a tomacorrientes Y con dispositivos conectados encendidos. Arranque el motor y permita que se estabilice antes de conectar cargas eléctricas. Desconecte todas las cargas eléctricas antes de apagar el generador.
- No inserte objetos a través de las ranuras de refrigeración de la unidad.
- Cuando trabaje en este equipo, manténgase alerta en todo momento. Nunca trabaje en el equipo cuando esté fatigado física o mentalmente.
- Nunca use el generador o cualquiera de sus piezas como un escalón. Pararse sobre la unidad puede forzar y romper piezas y podría ocasionar condiciones de funcionamiento peligrosas por fugas de gases de escape, fugas de combustible, fugas de aceite, etc.

1.2.2 — Peligros relacionados con el escape y la ubicación

¡Nunca use la unidad en una zona confinada o en interiores!
¡NUNCA use la unidad en el hogar, en un vehículo o en zonas parcialmente confinadas tales como garajes, AUN SI las puertas y ventanas están abiertas! Use SOLAMENTE en exteriores y lejos de ventanas, puertas y ventilaciones abiertas, y en una zona donde no se acumulen vapores de escape mortales.

⚠ PELIGRO	
Usar un generador en interiores LO PUEDE MATAR EN MINUTOS.	
Los gases de escape del generador contienen monóxido de carbono. Este es un veneno que no se puede ver u oler.	
 <p>NUNCA lo use dentro de una casa o garaje, AUN SI la puerta y las ventanas se encuentran abiertas.</p>	 <p>Use únicamente en EXTERIORES, y alejado de ventanas, puertas y ventilaciones.</p>

- Los vapores de escape del motor contienen monóxido de carbono, que no se puede ver ni oler. Este gas venenoso, si se respira en concentraciones suficientes, puede causar pérdida de conocimiento o incluso la muerte.
- El flujo adecuado y sin obstrucciones del aire de enfriamiento y ventilación resulta crítico para el funcionamiento adecuado del generador. No altere la instalación ni permita el bloqueo, ni siquiera parcial, del suministro de ventilación, dado que esto puede afectar seriamente el funcionamiento seguro del generador. El generador SE DEBE usar en exteriores.
- Este sistema de escape debe ser mantenido adecuadamente. No haga nada que pueda volver inseguro al sistema de escape o que infrinja cualquier código y/o norma local.
- Siempre use en interiores una alarma de monóxido de carbono alimentada por batería instalada conforme a las instrucciones del fabricante.
- Si comienza a sentirse enfermo, mareado o débil después de que el generador ha estado funcionando, salga INMEDIATAMENTE al aire fresco. Consulte a un médico, ya que podría sufrir envenenamiento por monóxido de carbono.

1.2.3 — Peligro eléctrico

- El generador produce un voltaje peligrosamente alto cuando está en funcionamiento. Evite el contacto con cables, terminales, conexiones, etc. desnudos mientras la unidad está funcionando, aún en los equipos conectados al generador. Asegúrese de que todas las cubiertas, protecciones y barreras adecuadas estén colocadas antes de utilizar el generador.
- Nunca maneje ningún tipo de cable o dispositivo eléctrico mientras esté parado sobre agua o esté descalzo o cuando tenga las manos o los pies mojados. **PUEDE PRODUCIRSE UN CHOQUE ELÉCTRICO PELIGROSO.**
- El Código Eléctrico Nacional de los EE. UU. (NEC) requiere que el bastidor y las piezas conductoras de electricidad externas del generador estén correctamente conectadas a una conexión a tierra aprobada. Los códigos de electricidad locales también pueden requerir la conexión a tierra apropiada del generador. Consulte con un electricista local los requisitos de conexión a tierra de su zona.

- Use un interruptor de circuito por fallo de conexión a tierra en todas las zonas húmedas o altamente conductoras (tales como zonas de trabajo con tarimas metálicas o estructuras de acero).
- No use el generador con juegos de cables eléctricos de conexión gastados, desnudos, deshilachados o que tengan algún otro tipo de daño.
- Antes de efectuar cualquier mantenimiento en el generador, desconecte la batería de arranque del motor (de tenerla) para evitar un arranque accidental. Desconecte primero el cable del borne de batería indicado por NEGATIVO, NEG o (-). Vuelva a conectar ese cable en último lugar.
- En caso de accidente causado por choque eléctrico, apague de inmediato la fuente de alimentación eléctrica. Si esto no es posible, intente liberar a la víctima del conductor alimentado. **EVITE EL CONTACTO DIRECTO CON LA VÍCTIMA.** Use un implemento no conductor, como una cuerda o tabla, para liberar a la víctima del conductor alimentado. Si la víctima está inconsciente, aplique primeros auxilios y obtenga ayuda médica de inmediato.

1.2.4 — Peligro de incendio

- El gas de propano licuado es EXPLOSIVO.
- El gas inflamable bajo presión puede ocasionar un incendio y una explosión si se enciende.
- El gas de propano licuado es más pesado que el aire y se puede asentar en lugares bajos cuando se disipa.
- Se añade al gas de propano licuado un olor distintivo para ayudar a detectar posibles fugas rápidamente.
- En un incendio por gas propano, las llamas no se deben extinguir a menos que se lo haga si la válvula de suministro de combustible se puede desconectar (OFF).
- Si el fuego se extingue y no se cierra el suministro de combustible (OFF), se podría crear un peligro de explosión mayor que el peligro de incendio.
- Cuando intercambie cilindros de LP, asegúrese de que la válvula del cilindro sea del mismo tipo.
- Recoja y seque inmediatamente todos los derrames de combustible o aceite. Asegúrese de que no queden materiales combustibles en el generador o cerca de este. Mantenga la zona alrededor del generador limpia y sin residuos, y deje un espacio libre de 4.6 m (5 ft) en todos los costados a fin de permitir la ventilación apropiada del generador.
- No inserte objetos a través de las ranuras de refrigeración de la unidad.
- **No** use el generador si los dispositivos eléctricos conectados se recalientan, si se pierde la salida eléctrica, si el motor o el generador producen chispas o si se observan llamas o humo mientras la unidad está funcionando.
- Mantenga un extintor de incendio cerca del generador en todo momento.

NOTA:

Este generador está equipado con un silenciador supresor de chispas. El supresor de chispas debe ser mantenido en condiciones de trabajo eficaces por el propietario/operador. En el estado de California, se requiere por ley un supresor de chispas (Sección 4442 del California Public Resources Code [Código de recursos públicos de California]). Otros estados pueden tener leyes similares. Se aplican leyes federales en las tierras federales.

1.2.5 — Índice de normas

1. National Fire Protection Association (Asociación nacional de protección contra incendios [NFPA]) de EE. UU. 70: NATIONAL ELECTRIC CODE (Código eléctrico nacional de los EE. UU., NEC) disponible en www.nfpa.org
2. National Fire Protection Association (Asociación nacional de protección contra incendios [NFPA]) de EE. UU. 5000: BUILDING CONSTRUCTION AND SAFETY CODE (Código de construcción y seguridad de edificios) disponible en www.nfpa.org
3. International Building Code (Código de construcción internacional) disponible en www.iccsafe.org
4. 4Agricultural Wiring Handbook (Manual de cableado agrícola) disponible en www.rerc.org, Rural Electricity Resource Council P.O. Box 309 Wilmington, OH 45177-0309, EE. UU.
5. ASAE EP-364.2 Installation and Maintenance of Farm Standby Electric Power (Instalación y mantenimiento de alimentación eléctrica rural de reserva) disponible en www.asabe.org, American Society of Agricultural & Biological Engineers (Sociedad estadounidense de ingenieros agrícolas y biológicos) 2950 Niles Road, St. Joseph, MI 49085, EE. UU.

Esta lista no es exhaustiva. Compruebe con la autoridad que tiene jurisdicción local (AHJ, por sus siglas en inglés) todos los códigos o normas que podrían corresponder a su jurisdicción.

Número de modelo	
Número de serie	



Figura 1: Ubicación de la ID de la unidad

2.1 — Desembalaje

- Retire todo el material de embalaje.
- Retire la caja de accesorios separada.
- Retire el generador de la caja.

2.1.1 — Accesorios

Compruebe todo el contenido. Si falta alguna pieza o hay alguna pieza dañada, comuníquese con un concesionario autorizado al 1-888-436-3722.

- Registro de producto y tarjetas de garantía
- 1 - Manual del propietario
- 1 - Litro de aceite SAE 10W-30
- 2 - Ruedas Never-Flat
- 2 - Pie del bastidor
- 1 - Tira de sujeción del cilindro de combustible
- 1 - Embudo para aceite
- 1 - Bolsa de tornillería (contiene lo siguiente):
 - 2-Pies de caucho (A)
 - 2-Pasadores de eje de 5/8 in (B)
 - 2-Pasadores hendidos (horquilla) (C)
 - 2-Arandelas planas de 5/8 in (D)
 - Herramienta para servicio de bujías
 - 4-Pernos M8 (largos) (E)
 - 2-Pernos M6 (largos) (F)
 - 4-Tuercas hexagonales embreadas M8 (G)
 - 2-Tuercas hexagonales embreadas M6 (H)
 - 1-Pasador hendido (Tira)

2.2 — Armado

El generador requiere armado antes del uso. Si surgen problemas durante el armado del generador, llame a la Línea de ayuda para generadores al 1-888-436-3722.

2.2.1 — Armado del kit de accesorios

Las ruedas de la unidad se han diseñado para aumentar en gran medida la facilidad de transporte del generador.

Necesitará las siguientes herramientas para instalar el kit de accesorios de manera apropiada.

- Pinzas de punta de aguja
- Trinquete y casquillos de 8 mm, 10 mm y 13 mm
- Llaves de boca de 12 mm, 10 mm y 13 mm

NOTA:

Las ruedas no están destinadas al uso en caminos.

1. Consulte la Figura 2-1 e instale las ruedas del siguiente modo:
 - Deslice el pasador de eje a través de la rueda, el soporte de la rueda sobre el bastidor y la arandela plana de 5/8 in.
 - Inserte el pasador hendido a través del pasador de eje para bloquearlo en su lugar.
2. Consulte la Figura 2-2 e instale los pies del bastidor y los parachoques de caucho como se ilustra.
 - Deslice los pernos M6 del parachoques de caucho a través del pie del bastidor y el parachoques de caucho. Luego instale las contratuercas embreadas. Apriete firmemente.
 - Deslice los pernos de cabeza hexagonal a través de los agujeros en el riel del bastidor.
 - Deslice el pie del bastidor sobre los pernos de cabeza hexagonal y luego instale las contratuercas embreadas. Apriete firmemente.

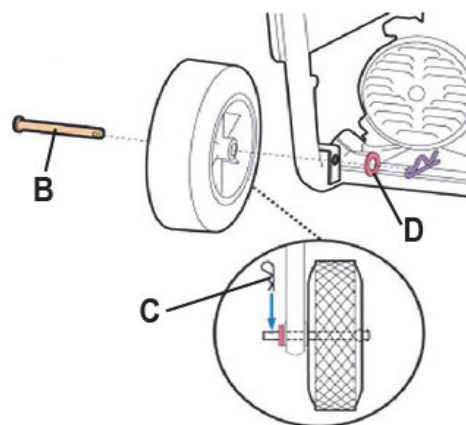


Fig 2-1: Conjunto de rueda y pies

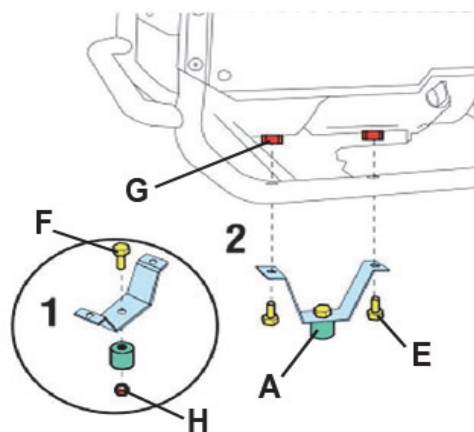


Fig 2-2: Pies del bastidor y parachoques de caucho



Fig 2-3: Tira de sujeción del cilindro de combustible

2.3 — Información sobre emisiones

La Agencia de Protección Ambiental de los EE. UU. (EPA) (y la Junta de Recursos del Aire de California [CARB] para los generadores certificados conforme a las normas de California) requieren que este generador cumpla las normas de emisiones de escape y evaporación. Ubique la etiqueta adhesiva sobre cumplimiento de las normas referidas a emisiones colocada sobre el motor para determinar qué normas satisface el generador, y para determinar qué garantía corresponde. Este generador cuenta con certificación para funcionar con gasolina. El sistema de control de emisiones incluye los siguientes componentes (de tenerlos):

- Sistema De Inducción De Aire
 - Tubo/colector de admisión
 - Filtro de aire
- Sistema de combustible
 - Conjunto de carburador/mezclador
 - Regulador de combustible
- Sistema de encendido
 - Bujía
 - Módulo de encendido
- Sistema De Escape
 - Colector De Escape
 - Silenciador
 - Válvula De Aire Por Impulsos
 - Catalizador

2.4 — Especificaciones del producto

2.4.1 — Especificaciones del generador

Potencia nominal.....	5.5 kW***
Potencia pico.....	6.875 kW
Voltaje de CA nominal.....	120/240
Carga de CA nominal	
Corriente a 240 V.....	22.9 A**
Corriente a 120V.....	45.8 A**
Frecuencia nominal60 Hz a3600 RPM.....	
Fase.....	Monofásico
Intervalo de temperaturas de funcionamiento:.....	0 °F (-17 °C) a 110 °F (43 °C)*

* Intervalo de temperaturas de funcionamiento: -18 °C (0 °F) a 40 °C (104 °F). Cuando se opera por encima de 25 °C (77 °F) puede haber una disminución de la potencia del motor.

** La potencia y la corriente máximas están sujetas a, y limitadas por, factores como el contenido de Btu del combustible, la temperatura ambiente, la altura, las condiciones del motor, etc. La potencia máxima disminuye alrededor del 3.5% por cada 1000 ft sobre el nivel del mar, y también disminuirá alrededor del 1% por cada 6 °C (10 °F) por encima de 16 °C (60 °F) de temperatura ambiente.

2.4.2 — Especificaciones del motor

Cilindrada.....	389 cm ³
Tipo de bujía.....	NHSP LDF7TC o Champion N9YC
Núm. de pieza de la bujía.....	0G84420101
Separación de electrodos de bujía.....	0.028-0.031 in o (0.70-0.80 mm)
Capacidad de combustible.....	Tanque de LP de 20 o 30 lb
Tipo de aceite.....	Vea la tabla en la sección "Antes de arrancar el generador"
Capacidad de aceite.....	1.0 l (1.06 qt.)
Tiempo de marcha a 50% de carga	
Tanque de LP de 20 lb.....	4 horas, 46 min
Tanque de LP de 30 lb.....	7 horas, 9 min

2.4.3 — Funcionamiento a gran altitud

A gran altitud, la mezcla de aire y combustible del carburador estándar será demasiado rica. El rendimiento disminuirá y aumentará el consumo de combustible. Una mezcla muy rica también alterará el funcionamiento de la bujía y ocasionará dificultades en el arranque. El funcionamiento a una altitud que difiera de aquella para el que se certificó este motor, durante períodos prolongados, puede aumentar las emisiones.

El rendimiento a gran altitud se puede mejorar por medio de modificaciones específicas en el carburador. Si siempre utiliza el motor a altitudes mayores que 5000 ft (1500 m), pida al concesionario de servicio que efectúe dichas modificaciones. Este motor, cuando se utiliza a gran altitud con las modificaciones del carburador para uso en grandes altitudes cumplirá con todas las normas de emisiones durante toda su vida útil.

Vea la tabla a continuación para determinar cuándo se requiere un kit para altitud.

Unidades	Combustible	Intervalo de altitud*	Números de pieza del kit
5.5 kW	LP	0 – 1524 m (0 - 5000 ft)	No se requiere
		1524 – 2134 m (5000 - 7000 ft)	0K2111

*Elevación sobre el nivel del mar.
** A elevaciones mayores que 2134 m (7000 ft), el motor puede tener un menor rendimiento.

NOTA:

Llame al 1-888-GENERAC para pedir un kit para altitud si utilizará el generador a entre 1524 y 2134 m (5000 y 7000 ft).

2.5 — Conozca el generador

Lea el Manual del propietario y las Reglas de seguridad antes de operar este generador.

Compare el generador con las Figuras 2-4 a 2-8 para familiarizarse con las ubicaciones de los diversos controles y ajustes.

1. **Tomacorriente doble de 120 VCA, 20 A** – Suministra alimentación eléctrica para el funcionamiento de iluminación eléctrica, artefactos, herramientas y cargas de motor de 120 VCA, 20 A, monofásicos, de 60 Hz.
2. **Tomacorriente de 120/240 VCA, 30 A con bloqueo** – Suministra alimentación eléctrica para el funcionamiento de iluminación eléctrica, artefactos, herramientas y cargas de motor de 120 y/o 240 VCA, 30 A, monofásicos, de 60 Hz.
3. **Disyuntores (CA)** – Un disyuntor de 2 polos protege la salida nominal del generador. Cada tomacorriente doble cuenta con un disyuntor de oprimir para reconectar para proteger al generador contra sobrecargas eléctricas.
4. **Horómetro** – Lleva un registro de las horas de funcionamiento para efectuar el mantenimiento requerido.

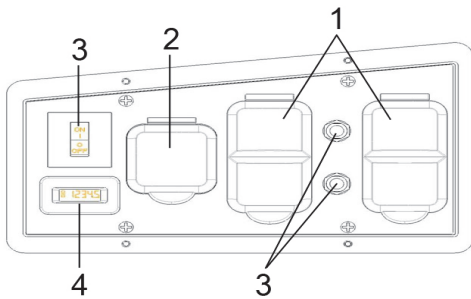


Fig 2-4: Tablero de control

5. **Vaciado de aceite** – Se usa para vaciar el aceite del motor.
6. **Terminal de conexión a tierra** – Conecte aquí el generador a una conexión a tierra aprobada. Vea los detalles en "Conexión a tierra del generador".
7. **Llenado de aceite** – Añada aceite aquí y compruebe el nivel con una varilla.

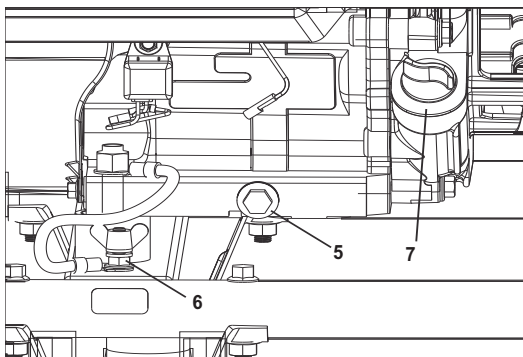


Fig 2-5: Conexión a tierra del generador y Vaciado/llenado de aceite

8. **Filtro de aire** – Filtra el aire de admisión a medida que ingresa en el motor.
9. **Silenciador** – Reduce el ruido del motor; incluye el supresor de chispas.
10. **Manija del arrancador con cuerda** – Se usa para arrancar el motor manualmente.
11. **Manija** – Pivotea y se retrae para el almacenamiento. Oprima el botón cargado a resorte para mover las manijas.
12. **Soporte del tanque** – Sujeta el cilindro de combustible LP con dos (2) pasadores de bloqueo colocados y se dobla para el transporte o el almacenamiento cuando no está en uso con un (1) pasador de bloqueo.
13. **Tanque de combustible** – Use tanques de LP de estándar de 20 o 30 libras de capacidad con rosca a derechas Acme Tipo 1 con tapa protectora (se vende por separado).
14. **Cuadrante de potencia** – Combina el cebador del motor, el regulador de cebado de LP y el conmutador de encendido del motor en un solo lugar.
15. **Tira del tanque** – El conjunto de tira de caucho se coloca en la base con un pasador hendido de un lado y se desliza en una ranura de chavetero en el otro lado de la base. Sujeta el cilindro de combustible LP en su posición.
16. **Cierre de combustible** – La válvula se encuentra en el tanque de combustible.

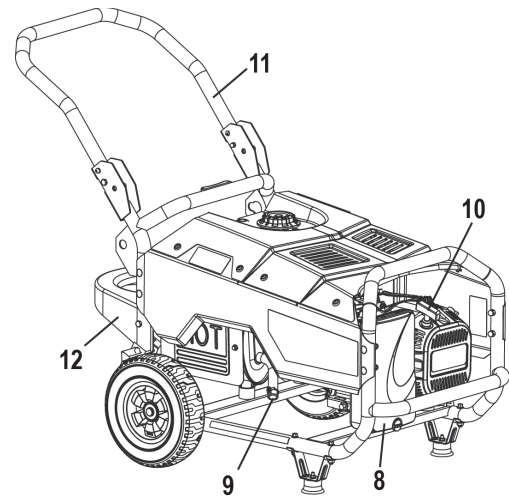


Fig 2-6: Controles del generador

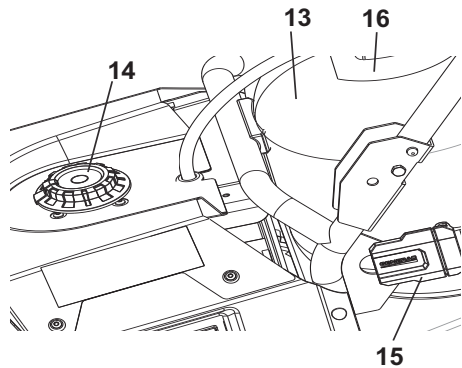


Fig 2-7: Controles del generador

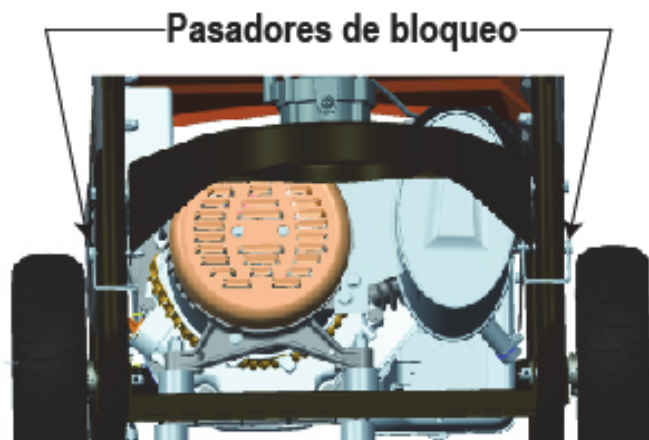


Fig 2-8: Soporte del tanque

2.6 — Enchufes de conexión

2.6.1 — Tomacorriente doble de 120 VCA, 20 A

Es un tomacorriente de 120 V protegido contra sobrecargas por un disyuntor de oprimir para reconectar de 20 A (Figura 2-9). Use cada toma para proporcionar alimentación a cargas eléctricas de 120 VCA, monofásicas, de 60 Hz, que requieren una corriente combinada de 2400 W (2.4 kW) o 20 A como máximo. Use solamente juegos de cables conexión de 3 conductores con conexión a tierra, de alta calidad y bien aislados, con una capacidad nominal de 125 V con 20 A (o mayor). Cada tomacorriente está protegido por un disyuntor de botón de oprimir para reconectar de 1 polo, 20 A.

Use cables de extensión lo más cortos posible, preferentemente de menos de 4.6 m (15 ft) de largo, para evitar caídas de voltaje y el posible recalentamiento de los alambres.

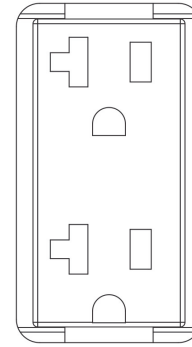


Fig 2-9: Tomacorriente doble de 120 VCA, 20 A

2.6.2 — Tomacorriente de 120/240 VCA, 30 A

Use un enchufe NEMA L14-20R con este tomacorriente (gire para bloquear/desbloquear). Conecte un juego de cables de conexión de 4 conductores con conexión a tierra adecuado para el enchufe y la carga deseados. El juego de cables de conexión debe tener capacidad nominal para 250 VCA con 30 A (o mayor) (Figura 2-10).

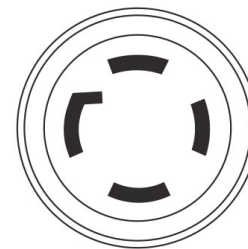


Fig 2-10: Tomacorriente de 120/240 VCA, 30 A

Use este tomacorriente para usar cargas de 120 VCA, monofásicas, de 60 Hz que requieren hasta 3000 W (3.0 kW) de potencia con 25 A o cargas de 240 VCA, monofásicas, de 60 Hz que requieren hasta 5500 W (5.5 kW) de potencia con 22.9 A. El tomacorriente está protegido por un disyuntor de botón de oprimir para reconectar de 2 polos, 25 A, de tipo basculante.

2.7 — Horómetro

El horómetro lleva un registro de las horas de funcionamiento para el mantenimiento programado (Figura 2-11):

Se visualizará un mensaje "CHG OIL" (Cambiar aceite) cada 100 horas. El mensaje destellará 1 hora antes y una 1 después de cada intervalo de 100 horas, proporcionando una ventana de 2 horas para efectuar el servicio.

Este mensaje realmente comenzará a destellar a las 99 horas y se desactivará en forma automática a las 101 horas nuevamente, proporcionando una ventana de 2 horas para efectuar el servicio.

Cada 200 horas destellará el icono "SVC" (Servicio) en el ángulo inferior izquierdo de la pantalla. El mensaje destellará 1 hora antes y una 1 después de cada intervalo de 200 horas, proporcionando una ventana de 2 horas para efectuar el servicio.

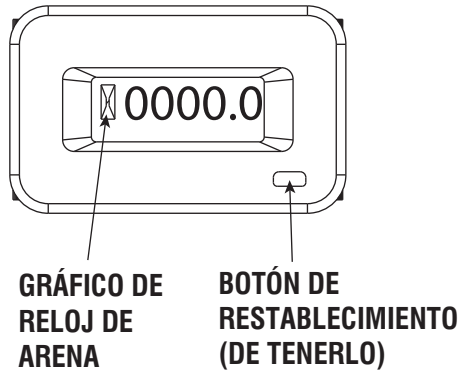


Fig 2-11: Horómetro

Cuando el horómetro está en el modo de alerta destellando, el mensaje de mantenimiento siempre mostrará el tiempo transcurrido en horas y décimos. Las horas destellarán cuatro veces, y luego se alternarán con el mensaje de mantenimiento cuatro veces hasta que el medidor se ponga en cero automáticamente.

- 100 horas - CHG OIL — Intervalo de cambio de aceite (cada 100 horas)
- 200 horas - SVC — Servicio del filtro de aire (cada 200 horas)

NOTA:

El gráfico de reloj de arena destellará intermitentemente cuando el motor está funcionando.

Esto significa que el medidor está llevando un registro de las horas de funcionamiento.

Esta página ha sido dejada en blanco intencionalmente.

3.1 — Cómo usar el generador

Consulte la sección "Arranque del motor" para ver cómo arrancar y parar el generador de manera segura y cómo conectar y desconectar cargas. Si surgen problemas durante el funcionamiento del generador, llame a la Línea de ayuda para generadores al 1-888-436-3722.

⚠ ¡PELIGRO!



¡Nunca use la unidad en una zona confinada o en interiores! ¡NUNCA use la unidad en el hogar, en un vehículo o en zonas parcialmente confinadas tales como garajes, AUN SI las puertas y ventanas están abiertas! Use SOLAMENTE en exteriores y lejos de ventanas, puertas y ventilaciones abiertas, y en una zona donde no se acumulen vapores de escape mortales.



Los vapores de escape del motor contienen monóxido de carbono, que no se puede ver ni oler. Este gas venenoso, si se respira en concentraciones suficientes, puede causar pérdida de conocimiento o incluso la muerte.



El flujo adecuado y sin obstrucciones del aire de enfriamiento y ventilación resulta crítico para el funcionamiento adecuado del generador. No altere la instalación ni permita el bloqueo, ni siquiera parcial, del suministro de ventilación, dado que esto puede afectar seriamente el funcionamiento seguro del generador. El generador SE DEBE usar en exteriores.



Este sistema de escape debe ser mantenido adecuadamente. No haga nada que pueda volver inseguro al sistema de escape o que infrinja cualquier código y/o norma local.



Siempre use en interiores una alarma de monóxido de carbono alimentada por batería instalada conforme a las instrucciones del fabricante.

⚠ PELIGRO	
Usar un generador en interiores LO PUEDE MATAR EN MINUTOS.	
Los gases de escape del generador contienen monóxido de carbono. Este es un veneno que no se puede ver u oler.	
<p>NUNCA lo use dentro de una casa o garaje, AUN SI la puerta y las ventanas se encuentran abiertas.</p>	<p>Use únicamente en EXTERIORES, y alejado de ventanas, puertas y ventilaciones.</p>

3.1.1 — Conexión a tierra del generador cuando se usa como unidad portátil

Este generador tiene una conexión a tierra del equipo que conecta los componentes del bastidor del generador a los terminales de conexión a tierra de los tomacorrientes de salida de CA (vea una explicación en NEC 250.34 [A]). Esto permite usar el generador como una unidad portátil sin conectar a tierra el bastidor del generador como se especifica en NEC 250.34.

3.1.1.1 — Requisitos especiales

Pueden haber reglamentos federales o estatales de la Administración de Seguridad y Salud Ocupacional de los EE. UU. (OSHA), códigos u ordenanzas que correspondan al uso previsto del generador.

Consulte a un electricista cualificado, inspector de electricidad o al organismo local que tenga jurisdicción:

- En algunas zonas, se requiere el registro de los generadores en las compañías de servicios públicos locales.
- Si el generador se usa en un sitio de construcción, puede ser necesario cumplir reglamentos adicionales.

3.1.2 — Conexión del generador al sistema eléctrico de un edificio

Al conectarse directamente al sistema eléctrico de un edificio, se recomienda usar un interruptor de transferencia manual. Las conexiones para un generador portátil al sistema eléctrico de un edificio deben ser efectuadas por un electricista cualificado y cumpliendo estrictamente todos los códigos y leyes nacionales y locales sobre electricidad.

3.1.2.1 — Conexión a tierra del generador en una aplicación de reserva en un edificio

⚠ ¡ADVERTENCIA!



El Código Eléctrico Nacional de EE. UU. requiere que el bastidor y las piezas conductoras de electricidad externas de este generador estén correctamente conectadas a una conexión a tierra aprobada.

Los códigos de electricidad locales también pueden requerir la conexión a tierra apropiada de la unidad (Figura 3-1). Con ese fin, conectar un cable de cobre trenzado calibre Núm. 10 AWG (American wire gauge) al terminal de conexión a tierra y a una jabalina (electrodo) de cobre o latón conectada a tierra provee una protección adecuada contra choques eléctricos. Sin embargo, los códigos locales pueden variar ampliamente. **Consulte con un electricista local los requisitos de conexión a tierra de su zona.**

La conexión a tierra apropiada del generador ayudará a evitar un choque eléctrico en el caso de una condición de fallo por conexión a tierra en el generador o en dispositivos eléctricos conectados. Una conexión apropiada a tierra también ayuda a disipar electricidad estática, que frecuentemente se acumula en los dispositivos sin conexión a tierra.

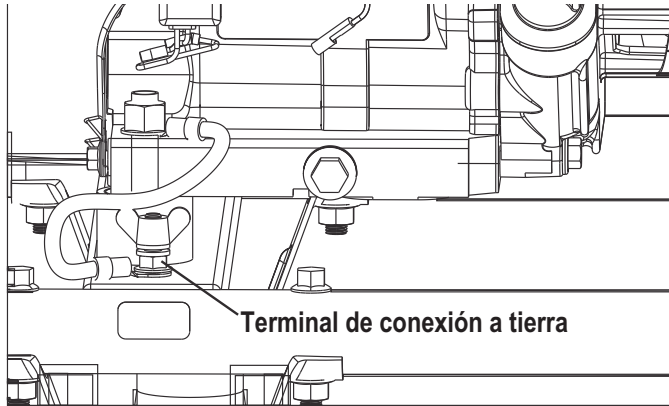


Figura 3-1: Conexión del generador a tierra

3.2 — No sobrecargue el generador

Sobrecargar un generador por encima de su capacidad nominal en watts puede ocasionar daños al generador y a los dispositivos eléctricos conectados. Observe lo siguiente para evitar sobrecargar la unidad:

- Sume los watts totales de todos los dispositivos eléctricos a ser conectados a la vez. Este total NO debería ser mayor que la capacidad en watts del generador.
 - Los watts nominales de las luces puede ser tomados de las bombillas. Los watts nominales de las herramientas, artefactos y motores pueden encontrarse usualmente en la etiqueta de datos adheridas a la unidad.
 - Si el artefacto, herramienta o motor no indica la potencia, multiplique los voltios por amperios nominales para determinar los watts ($V \times A = W$).
 - Algunos motores eléctricos, como los de inducción, requieren tres veces más watts de potencia para el arranque que para la marcha. Este pico de potencia dura unos pocos segundos al arrancar estos motores. Asegúrese de contar con capacidad para una alta potencia de arranque en watts cuando seleccione dispositivos eléctricos para conectar al generador:
1. Calcule los vatios requeridos para arrancar el motor más grande.
 2. Añada a esa cifra los vatios de consumo en marcha de todas las otras cargas conectadas.

La guía de referencia de potencia en watts se provee para asistir en la determinación de cuántos elementos puede accionar el generador a la vez.

NOTA:

Todas las cifras son aproximadas. Vea la etiqueta de datos en el artefacto para conocer los requisitos de potencia en watts.

3.3 — Guía de referencia de potencia en watts

Dispositivo	Watts en marcha
*Acondicionador de aire (12 000 Btu)	1700
*Acondicionador de aire (24 000 Btu)	3800
*Acondicionador de aire (40 000 Btu)	6000
Cargador de baterías (20 A)	500
Lijadora de banda (3 in)	1000
Motosierra	1200
Sierra circular (6-1/2 in)	800 a 1000
*Secarropas (eléctrico)	5750
*Secarropas (gas)	700
*Lavarropas	1150
Cafetera	1750
*Compresor (1 HP)	2000
*Compresor (3/4 HP)	1800
*Compresor (1/2 HP)	1400
Rizador de pelo	700
*Deshumificador	650
Lijadora de disco (9 in)	1200
Bordeadora	500
Manta eléctrica	400
Pistola de clavos eléctrica	1200
Cocina eléctrica (por elemento)	1500
Sartén eléctrica	1250
*Congelador	0.700
*Ventilador de horno (3/5 HP)	875
*Abridor de puerta de garaje	500 a 750
Secador de pelo	1200
Taladro de mano	250 a 1100
Podadora de cerco	450
Llave de impacto	500
Plancha	1200
*Bomba de inyección	800
Cortadora de césped	1200
Bombilla	100
Horno de microondas	700 a 1000
*Refrigerador de leche	1100
Quemador de gasoil en horno	300
Estufa de gasoil (140 000 Btu)	400
Estufa de gasoil (85 000 Btu)	225
Estufa de gasoil (30 000 Btu)	150
*Pulverizadora de pintura, sin aire (1/3 HP)	600
Pulverizadora de pintura (de mano)	150
Radio	50 a 200
*Refrigerador	700
Olla de cocción lenta	200
*Bomba sumergible (1-1/2 HP)	2800
*Bomba sumergible (1 HP)	2000
*Bomba sumergible (1/2 HP)	1500
*Bomba de sumidero	800 a 1050
*Sierra de banco (10 in)	1750 a 2000
Televisor	200 a 500
Tostadora	1000 a 1650
Recortador de malezas	500

* Considere 3 veces la potencia en watts indicada para el arranque de estos dispositivos.

3.4 — Antes de arrancar el generador

Antes de hacer funcionar el generador, se deberá agregar aceite de motor y combustible LP, de la siguiente forma:

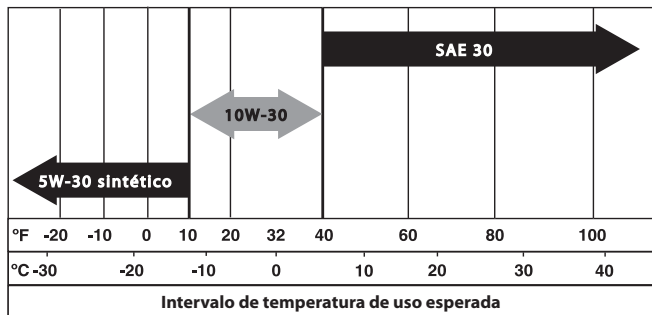
3.4.1 — Cómo agregar aceite de motor

Todo el aceite debe satisfacer las clases de servicio mínimas SJ, SL o mejores del American Petroleum Institute (Instituto norteamericano del petróleo) (API). No use aditivos especiales. Seleccione el grado de viscosidad del aceite de acuerdo con la temperatura de funcionamiento esperada (vea también la tabla).

- Por encima de 4.4 °C (40 °F), use SAE 30
- Por debajo de 4.4 °C (40 °F) hasta -12.2 °C (10 °F), use 10W-30
- Por debajo de -12.2 °C (10 °F), use 5W-30 sintético

NOTA:

El aceite sintético sólo se debe utilizar después de un período de rodaje en 50 horas. Esto es importante para asegurar la pared del cilindro adecuado y asentamiento de los anillos.



¡PRECAUCIÓN!



Cualquier intento de arrancar el motor antes de que haya sido correctamente preparado con el aceite recomendado puede ocasionar un fallo del motor.

1. Coloque el generador en una superficie nivelada (que no exceda 15° en ningún sentido).
2. Limpie la zona alrededor de la abertura de llenado de aceite y retire la tapa de llenado de aceite y la varilla de medición.
3. Limpie la varilla de medición.
4. Lentamente llene el motor con aceite a través de la abertura de llenado hasta que alcance la marca de lleno. Deje de llenar ocasionalmente para verificar el nivel de aceite. **Tenga cuidado de no sobrellenar.**
5. Coloque la tapa de llenado de aceite y ajuste firmemente con la mano.
6. Compruebe el nivel del aceite del motor antes de arrancar cada vez.

3.4.2 — Conexión del tanque de combustible LP

¡PELIGRO!



No use o almacene el cilindro de LP en un edificio, garaje o zona confinada excepto según lo autorizado por la norma NFPA 58 o B149.2 (en Canadá).



No compruebe si hay fugas con un fósforo o una llama.



La válvula del cilindro se debe dejar en OFF (cerrada) cuando el generador no está en uso.

NOTA:

LP presión de entrada del regulador de vapor es de 30 psi a 0 ° F y 218 psi a 100 ° F.

- Use tanques de LP estándar de 20 o 30 libras de capacidad con roscas derechas Acme Tipo 1 con este generador. Verifique que no haya caducado la fecha de recalificación del tanque. No utilice cilindros oxidados o dañados.
- Se debe purgar el aire y la humedad de todos los cilindros nuevos antes de llenarlos. Los cilindros usados que no hayan estado taponados o mantenidos cerrados también se deben purgar.
- El proceso de purga debe ser efectuado por su proveedor de gas propano. (Los cilindros de un proveedor de intercambio ya deben haber sido purgados y llenados de manera apropiada.)
- Levante el tanque y colóquelo cuidadosamente en el soporte trasero del tanque con el punto de conexión orientado hacia la parte delantera del generador (Figura 3-2).
- Inserte el extremo fijo en el soporte lateral con el agujero más pequeño y deslice el pasador hendido en su posición. Sujetando el extremo de pivote firmemente, estire la tira del tanque alrededor del cilindro y deslice la chaveta en el chavetero en el otro soporte.
- Retire el tapón o la tapa de seguridad de la válvula del cilindro.
- Inserte el conector firmemente en la válvula. Recuerde: gire el acoplamiento plástico de la manguera hacia la derecha o en sentido horario para apretar.
- Siempre coloque el cilindro en posición de manera que la conexión entre la válvula y el regulador no ocasione dobleces o retorcimientos en la manguera.



Figura 3-2: Posición del tanque

- Compruebe si hay fugas pulverizando agua jabonosa en las conexiones que se prueban.
- Si aparecen burbujas, estas se hacen más grandes o salen en más cantidad, hay una fuga.
- Esto se debe corregir antes de usar el generador. Póngase en contacto con el Taller de servicio autorizado para obtener asistencia.
- El contacto con el contenido líquido del cilindro ocasionará quemaduras por congelación en la piel.
- No permita que los niños manipulen indebidamente el cilindro o que jueguen con él.
- Al transportar y almacenar el cilindro, manténgalo sujeto en posición vertical con la válvula del cilindro cerrada y la salida taponada. (normalmente, con una tapa de protección plástica). Mantenga los cilindros alejados del calor y ventilados cuando estén en un vehículo.

3.5 — Puesta en marcha del generador



⚠️ ADVERTENCIA!
Nunca arranque o pare el motor con dispositivos eléctricos enchufados en los tomacorrientes Y dispositivos encendidos.

1. Desconecte todas las cargas eléctricas de los tomacorrientes de la unidad antes de arrancar el motor.
2. Asegúrese de que la unidad se encuentre en una posición nivelada (que no exceda 15° en ningún sentido).
3. ABRA la válvula de cierre de combustible en el cilindro (Figura 3-2).
4. Gire el SELECTOR DE POTENCIA del motor (Figura 3-3) a la posición núm. 1 PRIME (Cebiar) y presione el selector hacia abajo durante cinco (5) segundos para permitir que ingrese combustible en el mezclador.
5. Sujete firmemente la manija de la cuerda y tire lentamente hasta sentir una resistencia mayor. Coloque un pie en la barra transversal del bastidor y luego tire rápidamente hacia arriba y hacia afuera dos veces para CEBAR el sistema de combustible.
6. Gire el SELECTOR DE POTENCIA a la posición núm. 2 RUN (Marcha).
7. Sujete firmemente la manija de la cuerda y tire lentamente hasta sentir una resistencia mayor. Coloque un pie en la barra transversal del bastidor y luego tire rápidamente hacia arriba y hacia afuera para arrancar el motor. Tire de la manija de la cuerda dos (2) veces más si es necesario para arrancar el motor.

NOTA:

Si el motor no arranque o no queda funcionando, repita la secuencia de arranque desde el Paso 4 anterior.

IMPORTANTE: No sobrecargue el generador. Tampoco sobrecargue los tomacorrientes individuales del tablero. Estas salidas están protegidas contra sobrecargas con disyuntores tipo oprimir para reconectar. Si se excede el amperaje nominal de algún disyuntor, ese disyuntor se abre y se pierde la salida eléctrica a ese tomacorriente. Lea "No sobrecargue el generador" cuidadosamente.



Figura 3-3: Selector de potencia

3.6 — Parada del motor

1. Apague todas las cargas, y luego desenchufe las cargas eléctricas de los tomacorrientes del tablero del generador. Nunca arranque o pare el motor con dispositivos eléctricos enchufados y en funcionamiento.
2. Deje que el motor funcione en vacío por varios minutos para estabilizar las temperaturas internas del motor y el generador.
3. Mueva el selector de potencia a la posición OFF/STOP.
4. Cierre la válvula de combustible.

3.7 — Sistema de apagado por nivel de aceite bajo

El motor se encuentra equipado con un sensor de nivel de aceite bajo que apaga el motor automáticamente cuando el nivel cae por debajo de un nivel especificado. Si el motor se para solo y el cilindro tiene suficiente combustible, revise el nivel de aceite del motor.

4.1 — Programa de mantenimiento

Siga los intervalos del calendario. Se requiere un mantenimiento más frecuente para el uso en las condiciones adversas que se listan a continuación.

Revise el nivel de aceite En cada uso

Cambie el aceite *Cada 100 horas o en cada estación

Revise la holgura de válvulas ***Cada estación

Preste servicio al filtro de aire. ** Cada 200 horas o en cada estación

Sustituya las bujías Cada estación

‡ Cambie el aceite después de las primeras 30 horas de funcionamiento y luego en cada estación.

* Cambie el aceite y el filtro de aceite cada mes cuando se funcione bajo carga pesada o altas temperaturas.

** Limpie más a menudo en condiciones de funcionamiento con suciedad o polvo. Sustituya las piezas del filtro de aire si no se pueden limpiar adecuadamente.

*** Compruebe la luz de válvulas y ajuste si es necesario después de las primeras 50 horas de funcionamiento y luego cada 300 horas. Requiere el desarmado de partes del motor. Recomendamos ponerse en contacto con un concesionario de servicio autorizado para realizar este ajuste.

NOTA:

Una vez al año sustituya la bujía y sustituya el filtro de aire. Una bujía nueva y un filtro de aire limpio aseguran una mezcla de aire-combustible apropiada y ayudan a que el motor funcione mejor y dure más.

4.2 — Recomendaciones generales

La garantía del generador no cubre elementos que hayan sido sometidos a abuso o negligencia del operador. Para recibir el valor completo de la garantía, el operador debe mantener el generador como se instruye en este manual.

Se deberán hacer algunos ajustes periódicamente para mantener el generador de manera apropiada.

Todos los ajustes indicados en la sección de mantenimiento de este manual deberán ser efectuados al menos una vez cada estación. Siga los requisitos indicados en el "Programa de mantenimiento".

4.2.1 — Mantenimiento del generador

El mantenimiento del generador consiste en conservar la unidad limpia y seca. Haga funcionar y almacene la unidad en un ambiente limpio y seco donde no se encuentre expuesta a polvo, tierra o humedad en exceso ni a vapores corrosivos. Las ranuras de aire de refrigeración no deben ser obstruidas con nieve, hojas o ningún otro material extraño.

Revise la limpieza del generador frecuentemente y limpie cuando en su superficie exterior se observen polvo, tierra, aceite, humedad u otras sustancias extrañas.

⚠ ¡PRECAUCIÓN!



Nunca inserte ningún objeto o herramienta a través de las ranuras de aire de refrigeración, aún si el motor no está funcionando.

4.2.2 — Limpieza del generador

- Use un paño húmedo para limpiar las superficies exteriores.
- Se puede usar un cepillo de cerdas suave para aflojar tierra compactada, aceite, etc.
- Se puede usar una aspiradora para recoger tierra y suciedad suelta.
- Se puede usar aire a baja presión (que no exceda 25 psi) para soplar la tierra. Inspeccione las ranuras de aire de refrigeración y las aberturas del generador. Estas aberturas deben mantenerse limpias y sin obstrucciones.

NOTA:

NO use una manguera de jardín para limpiar el generador. Puede entrar agua en el sistema de combustible del motor y causar problemas. Además, si entra agua en el generador a través de las ranuras de refrigeración por aire, parte de ese agua será retenida en vacíos y hendiduras del aislante del bobinado del rotor y estator. La acumulación de agua y tierra en los bobinados internos del generador con el tiempo disminuirá la resistencia de la aislación de estos bobinados.

4.2.3 — Mantenimiento del motor

⚠ ¡PELIGRO!



Cuando trabaje sobre el generador, siempre desconecte el cable de distribución de la bujía y manténgalo alejado de la bujía.

4.2.4 — Revisión del nivel de aceite

Vea la sección "Antes de arrancar el generador" para información sobre la revisión del nivel de aceite. El nivel de aceite debe ser revisado antes de cada uso o al menos cada ocho horas de funcionamiento. Revise el nivel de aceite periódicamente.

4.2.5 — Cambio de aceite

Cambie el aceite después de las primeras 30 horas de funcionamiento y luego cada 100 horas. Si utiliza esta unidad en condiciones de suciedad o polvorientas, o en clima extremadamente caluroso, cambie el aceite más frecuentemente.

⚠ ¡PRECAUCIÓN!

⚠ El aceite caliente puede provocar quemaduras. Espere a que el motor se enfríe antes de vaciar el aceite. Evite la exposición prolongada o repetida de la piel al aceite usado. Lave cuidadosamente con jabón las zonas expuestas.

Siga las instrucciones dadas a continuación para cambiar el aceite luego de que el motor se enfríe:

1. Limpie la zona alrededor del tapón de vaciado de aceite (A) (Figura 4-1).
2. Retire los tapones de vaciado y llenado de aceite para vaciar el aceite completamente en un contenedor apropiado.
3. Cuando el aceite se haya vaciado completamente, coloque el tapón de vaciado de aceite y ajuste firmemente.
4. Llene el motor con el aceite recomendado. (Vea "Antes de arrancar el generador" para las recomendaciones sobre el aceite).
5. Recoja y limpie el aceite que pueda haberse derramado.
6. Deseche el aceite usado en un centro de recolección apropiado.

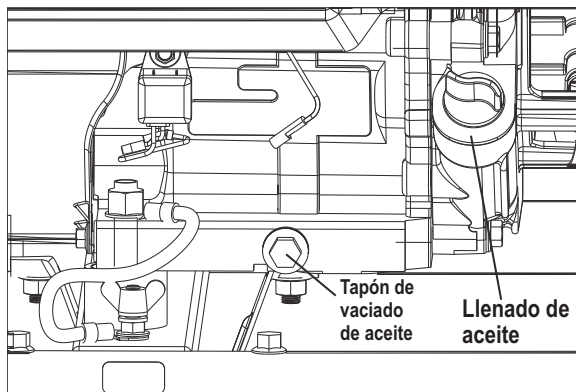


Figure 4-1: Tapón De Vaciado De Aceite

4.2.6 — Sustitución de la bujía

Use una bujía Champion N9YC o equivalente. **Sustituya la bujía cada 200 horas.**

1. Pare el motor y cierre la válvula de combustible en el cilindro y retire.
2. Con una llave Allen de 5 mm, retire los cuatro (4) tornillos de cabeza de botón en la cubierta superior y retire la cubierta superior para acceder a la bujía (Figura 4-2).

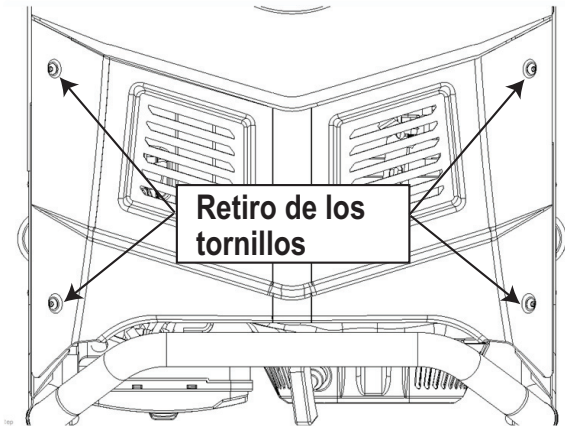


Figure 4-2: Retire los tornillos

3. Retire el cable de bujía de la bujía y limpie esa zona de la culata (Figura 4-3).

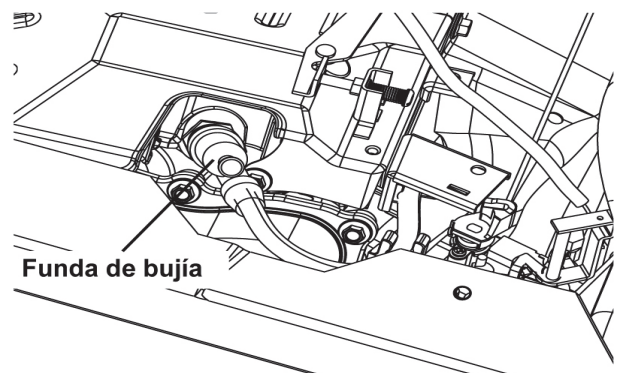


Figure 4-3: Retiro del cable de la bujía

4. Use una herramienta para bujías de 21 mm (13/16 in) para retirar la bujía.
5. Ajuste la separación de la bujía nueva a 0.70-0.80 mm (0.028-0.031 in). Instale la bujía con la separación correcta en la culata y apriete lo suficiente para asegurar que la empaquetadura se comprima entre 18.0 y 21.6 lb/ft (Figura 4-4).
6. Vuelva a conectar el cable de la bujía y sustituya la cubierta superior delantera y los cuatro (4) sujetadores.

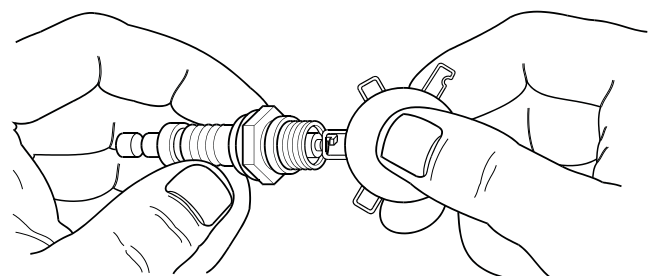


Figure 4-4: Separación de electrodo de bujía

4.3 — Servicio del filtro de aire

El motor no funcionará correctamente y se puede dañar si se usa un filtro de aire sucio. Limpie el filtro de aire cada 50 horas o una vez por año (Figura 4-5). Limpie o sustituya más frecuentemente si se usa en condiciones polvorientas. El número de pieza del filtro de aire es 0J47870141.

1. Retire la cubierta del filtro de aire.
2. Lave en agua jabonosa. Estruje el filtro suavemente para secarlo con un paño limpio (NO LO RETUERZA).
3. Limpie la cubierta del filtro de aire antes de volver a instalarla.

NOTA:

Para pedir un filtro de aire nuevo, póngase en contacto con el centro de servicio autorizado más cercano llamando al 1-888-436-3722.

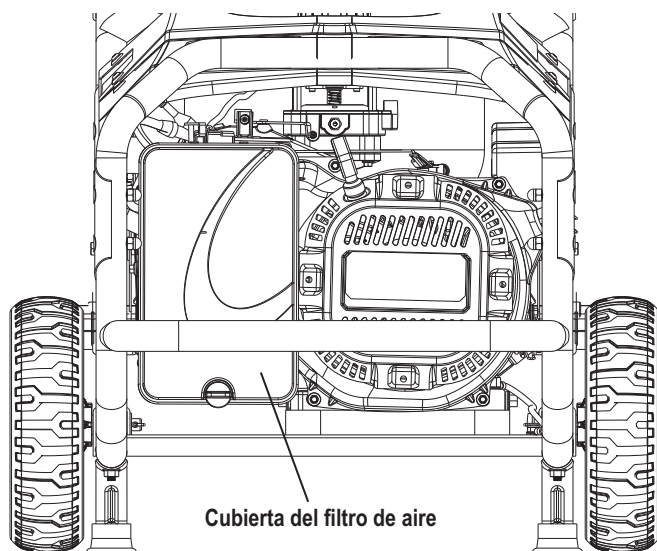


Figure 4-5: Filtro de aire

4.3.1 — Limpieza del tamiz del supresor de chispas

El silenciador del escape del motor tiene un tamiz supresor de chispas. Inspeccione y limpie el tamiz al menos una vez al año (Figura 4-6). Si la unidad se usa regularmente, inspeccione y límpielo más frecuentemente.

⚠ PELIGRO!



Si usa el generador en tierra no mejorada cubierta de bosque, maleza o pasto, este debe tener un supresor de chispas. El propietario/operador debe mantener el supresor de chispas en buenas condiciones.

Limpie e inspeccione el supresor de chispas cuando el motor se encuentre a temperatura ambiente de la siguiente manera:

1. Retire el tamiz supresor de chispas del silenciador aflojando la abrazadera y retirando el tornillo.

2. Inspeccione el tamiz y sustitúyalo si está desgarrado, perforado o dañado de alguna otra forma. **NO USE** un tamiz defectuoso. Si el tamiz no se encuentra dañado, límpielo con algún solvente comercial.
3. Sustituya el supresor de chispas y sujételo con la mordaza y el tornillo.

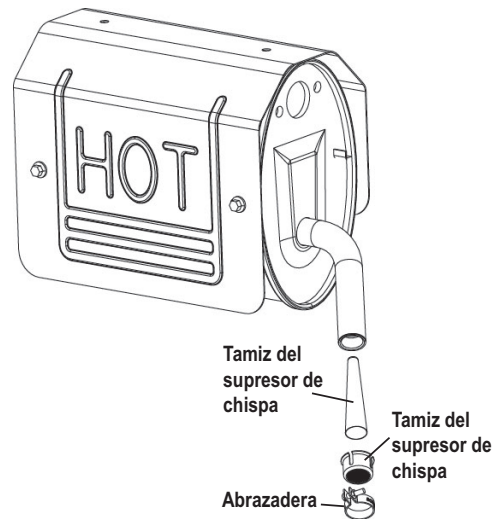


Figure 4-6: Tamiz del supresor de chispa

NOTA:

Para pedir un nuevo filtro de aire o tamiz supresor de chispas, póngase en contacto con el centro de servicio autorizado más cercano llamando al 1-800-333-1322.

4.4 — Luz de válvulas

- Admisión - 0.15 ± 0.02 mm (frío), (0.006 ± 0.0008 in)
- Escape - 0.20 ± 0.02 mm (frío) (0.008 ± 0.0008 in)

Luego de las primeras 50 horas de funcionamiento, revise la holgura de válvulas en el motor y ajuste si es necesario.

Importante: Si no se siente cómodo haciendo este procedimiento o si no dispone de las herramientas adecuadas, lleve el generador al centro de servicio más cercano para que ajuste la holgura de válvulas. Este es un paso muy importante para asegurar una larga vida útil del motor.

4.5 — Almacenamiento del generador

El generador se debe arrancar al menos una vez cada 30 días y se debe hacer funcionar durante al menos 30 minutos. Si esto no es posible y la unidad debe ser almacenada por más que 30 días, use la siguiente información como guía para prepararlo para el almacenamiento.

⚠ PELIGRO!



Permita que la unidad se enfríe completamente antes de almacenarla.

4.6 — Almacenamiento a largo plazo

1. Vacíe el aceite del cárter después de que el motor se enfríe. Rellene con el grado recomendado.
2. Retire la bujía y vierta alrededor de 1/2 onza (15 ml) de aceite de motor en el cilindro. Cubra el agujero de la bujía con un trapo. Tire del arrancador a cuerda un par de veces para lubricar los aros del pistón y la cavidad del cilindro. Se puede usar aceite protector de cilindros en vez de aceite común.

¡PRECAUCIÓN!



Evite la pulverización del agujero de la bujía cuando gire el motor.

3. Instale y ajuste la bujía. No conecte el cable de distribución.
4. Limpie las superficies exteriores del generador. Revise que las ranuras de aire de refrigeración y las aberturas del generador se encuentren abiertas y sin obstrucciones.
5. Almacene la unidad en un lugar limpio y seco.

4.7 — Otros consejos sobre el almacenamiento

- Si es posible, almacene la unidad en interiores y cúbrala para protegerla del polvo y la tierra. **ASEGÚRESE DE CERRAR LA VÁLVULA DEL TANQUE DE COMBUSTIBLE.**
- Cubra la unidad con una cubierta protectora adecuada que no retenga humedad.

¡PELIGRO!



NUNCA cubra el generador mientras las zonas del motor y del escape se encuentren tibias.

5.1 — Guía de resolución de problemas

PROBLEMA	CAUSA	SOLUCIÓN
El motor funciona, pero no hay salida de CA.	<ol style="list-style-type: none"> 1. El disyuntor se encuentra abierto. 2. Conexión deficiente o conjunto de cables de conexión defectuoso. 3. El dispositivo conectado está averiado. 4. Fallo en el generador. 	<ol style="list-style-type: none"> 1. Reconecte el disyuntor. 2. Revise y repare. 3. Conecte otro dispositivo que se encuentre en buenas condiciones. 4. Póngase en contacto con un Taller de servicio autorizado.
El motor funciona bien pero se ralentiza cuando se le conectan cargas.	<ol style="list-style-type: none"> 1. Cortocircuito en una carga conectada. 2. El generador está sobrecargado. 3. La velocidad del motor es muy lenta. 4. Generador en cortocircuito. 	<ol style="list-style-type: none"> 1. Desconecte la carga eléctrica en cortocircuito. 2. Vea "No sobrecargue el generador". 3. Póngase en contacto con un Taller de servicio autorizado. 4. Póngase en contacto con un Taller de servicio autorizado.
El motor no arranca; o arranca y funciona con dificultad.	<ol style="list-style-type: none"> 1. La válvula de cierre de combustible se encuentra en OFF. 2. Filtro de aire sucio. 3. Sin combustible. 4. El cable de distribución no se encuentra conectado a la bujía. 5. Bujía averiada. 6. Agua en el combustible o cilindro lleno en exceso. 7. Nivel de aceite bajo. 8. Mezcla de combustible excesivamente rica. 9. La válvula de admisión se encuentra atorada abierta o cerrada. 10. El motor ha perdido compresión. 	<ol style="list-style-type: none"> 1. Gire la válvula de cierre de combustible a la posición ON. 2. Limpie o sustituya el filtro de aire. 3. Sustituya el tanque de combustible. 4. Conecte el cable a la bujía. 5. Sustituya la bujía. 6. Sustituya el cilindro de combustible (LP). 7. Llene el cárter hasta el nivel correcto. 8. Póngase en contacto con un Taller de servicio autorizado. 9. Póngase en contacto con un Taller de servicio autorizado. 10. Póngase en contacto con un Taller de servicio autorizado.
El motor se apaga durante el funcionamiento.	<ol style="list-style-type: none"> 1. Sin combustible. 2. Nivel de aceite bajo. 3. Fallo en el motor. 	<ol style="list-style-type: none"> 1. Sustituya el tanque de combustible. 2. Llene el cárter hasta el nivel correcto. 3. Póngase en contacto con un Taller de servicio autorizado.
Falta potencia del motor.	<ol style="list-style-type: none"> 1. La carga es muy alta. 2. Filtro de aire sucio. 3. El motor necesita mantenimiento. 	<ol style="list-style-type: none"> 1. Reduzca la carga (vea "No sobrecargue el generador"). 2. Limpie o sustituya el filtro de aire. 3. Póngase en contacto con un Taller de servicio autorizado.
El motor "ratea" o falla.	<ol style="list-style-type: none"> 1. El carburador tiene una mezcla muy rica o muy pobre. 	<ol style="list-style-type: none"> 1. Póngase en contacto con un Taller de servicio autorizado.



Núm. de pieza 0J7855 Rev C 15/05/2014
© Generac Power Systems, Inc. Todos los derechos reservados
Las especificaciones están sujetas a cambios sin aviso.
No se permite la reproducción bajo ninguna forma sin previo consentimiento escrito de Generac Power Systems, Inc.

Generac Power Systems, Inc.
S45 W29290 Hwy. 59
Waukesha, WI 53189
1-888-GENERAC (1-888-436-3722)
generac.com