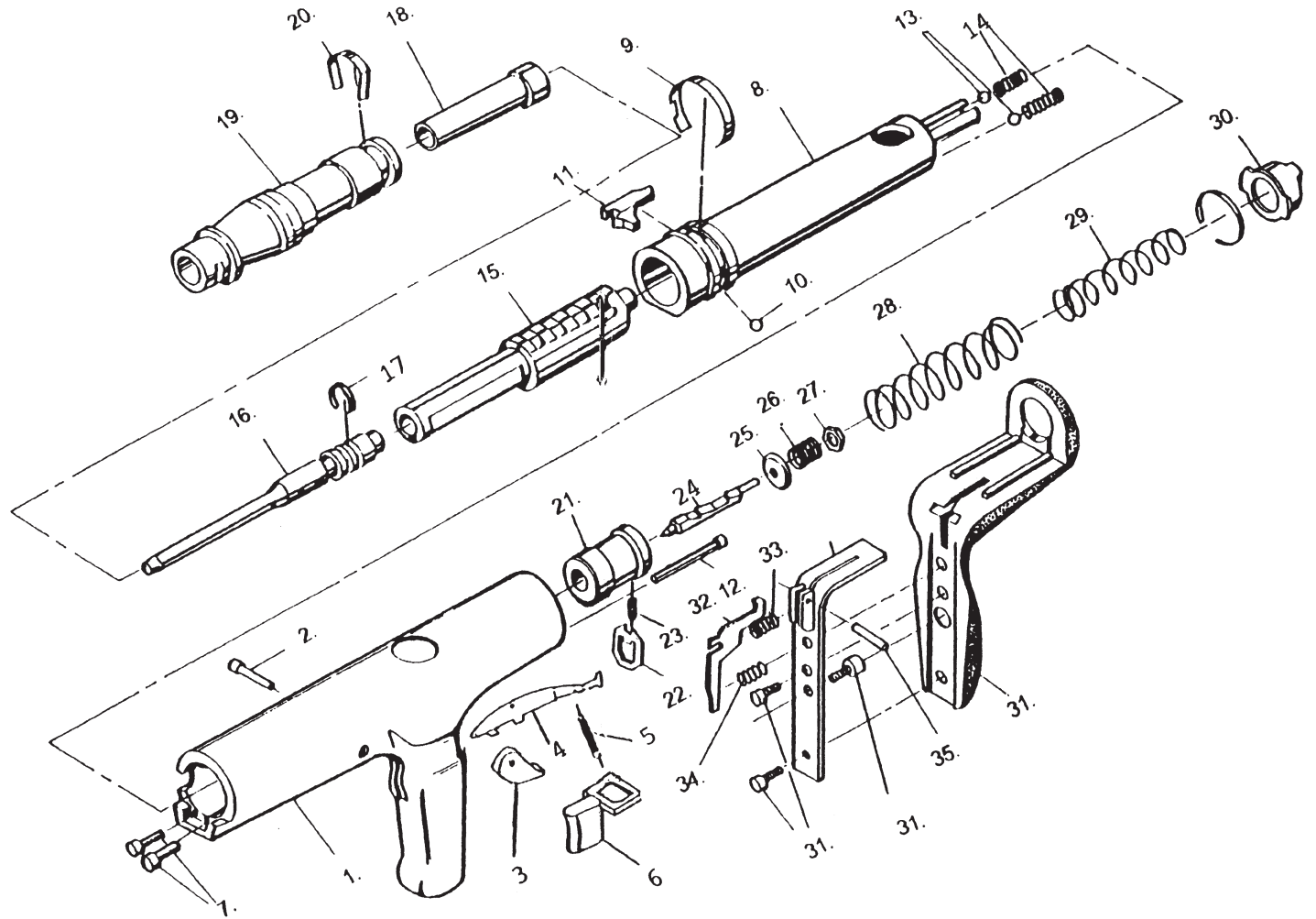


SCHEMATIC AND PARTS FOR THE PT-27 AND PT-25S TOOLS



PT-25S

- | | |
|--------------------|-----------|
| 1. Body Assembly | PT-035001 |
| 8. Receiver | PT-035100 |
| 9. Annular Spring | PT-035014 |
| 11. Piston Stop | PT-035012 |
| 15. Barrel | PT-035006 |
| 16. Piston Flat | PT-035903 |
| 16a Piston-Concave | PT-035217 |
| 18. Nose Piece | PT-035010 |
| 19. Baseplate | PT-035009 |

PT-27 and PT-25S

- | | | | | | | | |
|------------------------|-----------|------------------------|-----------|-----------------------------------|-----------|-----------------------------|-----------|
| 1. Body Assem. | PT-301001 | 11. Piston Stop | PT-301012 | 19. Baseplate | PT-301009 | 28. Spring
(Sear Holder) | PT-301026 |
| 2. Trigger Pin | PT-301034 | 12. Push Pin | PT-301016 | 20. Shear Clip | PT-301011 | 29. Spring
(firing pin) | PT-301025 |
| 3. Advance Bar Hold | PT-301529 | 13. Ball Bearing (5mm) | PT-301046 | 21. Sear Holder | PT-301300 | 30. Plug | PT-301028 |
| 4. Advance Bar | PT-301530 | 14. Spring (Mag catch) | PT-301047 | 22. Sear | PT-301023 | 31. Rubber Pad | PT-301601 |
| 5. Advance Bar Spr. | PT-301531 | 15. Barrel | PT-301006 | 23. Sear Spring | PT-301024 | 32. Rock Arm | PT-301844 |
| 6. Trigger | PT-301533 | 16. Piston Flat | PT-301903 | 24. Firing Pin Assem | PT-301904 | 33. Spring (lever) | PT-301840 |
| 7. Screw (bolt) | PT-301015 | 16a Piston Concave | PT-301217 | 25. Spring Holder | PT-301420 | 34. Spring (trigger) | PT-301843 |
| 8. Receiver | PT-301100 | 17. Piston Ring | PT-301208 | 26. Spring
(Firing pin return) | PT-301421 | 35. Pin, Rock Arm | PT-301845 |
| 9. Annular Spring | PT-301014 | 18. Nose Piece | PT-301010 | 27. Nut | PT-301422 | | |
| 10. Ball Bearing (6mm) | PT-301013 | | | | | | |