

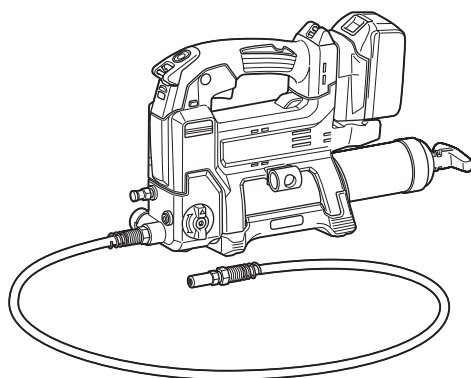
**INSTRUCTION MANUAL
MANUAL DE INSTRUCCIONES**



Cordless Grease Gun

Pistola Engrasadora Inalámbrica

XPG01



IMPORTANT: Read Before Using.
IMPORTANTE: Lea antes de usar.

SPECIFICATIONS

Model:		XPG01
Rated voltage		D.C. 18 V
Grease capacity (with A-type barrel)	Cartridge	410 g (14.5 oz)
	Bulk	455 g (16.0 oz)
Grease capacity (with B-type barrel)	Cartridge	450 g (15.9 oz)
	Bulk	570 g (20.1 oz)
Maximum operating pressure		69 MPa (10,000 psi)
Maximum flow rate	Slow speed mode	145 ml/min (5.0 fl oz/min)
	Auto speed mode	290 ml/min (10.0 fl oz/min)
Applicable grease type		NLGI No.0 - No.2
Hose length		1,200 mm (47-1/4")
Overall length	With A-type barrel	411 mm (16-1/4")
	With B-type barrel	449 mm (17-3/4")
Net weight		4.8 - 6.1 kg (10.6 - 13.4 lbs)

NOTE: The barrel type (A-type or B-type) varies depending on the country.

- Due to our continuing program of research and development, the specifications herein are subject to change without notice.
- Specifications and battery cartridge may differ from country to country.
- The weight may differ depending on the attachment(s), including the battery cartridge. The lightest and heaviest combinations, according to EPTA-Procedure 01/2014, are shown in the table.

Applicable battery cartridge and charger

Battery cartridge	BL1815N / BL1820B / BL1830 / BL1830B / BL1840B / BL1850B / BL1860B
Charger	DC18RC / DC18RD / DC18RE / DC18SD / DC18SE / DC18SF / DC18SH

- Some of the battery cartridges and chargers listed above may not be available depending on your region of residence.

⚠ WARNING: Only use the battery cartridges and chargers listed above. Use of any other battery cartridges and chargers may cause injury and/or fire.

SAFETY WARNINGS

General power tool safety warnings

⚠ WARNING: Read all safety warnings, instructions, illustrations and specifications provided with this power tool. Failure to follow all instructions listed below may result in electric shock, fire and/or serious injury.

Save all warnings and instructions for future reference.

The term "power tool" in the warnings refers to your mains-operated (corded) power tool or battery-operated (cordless) power tool.

Work area safety

1. **Keep work area clean and well lit.** Cluttered or dark areas invite accidents.

2. **Do not operate power tools in explosive atmospheres, such as in the presence of flammable liquids, gases or dust.** Power tools create sparks which may ignite the dust or fumes.
3. **Keep children and bystanders away while operating a power tool.** Distractions can cause you to lose control.

Electrical Safety

1. **Power tool plugs must match the outlet. Never modify the plug in any way. Do not use any adapter plugs with earthed (grounded) power tools.** Unmodified plugs and matching outlets will reduce risk of electric shock.
2. **Avoid body contact with earthed or grounded surfaces, such as pipes, radiators, ranges and refrigerators.** There is an increased risk of electric shock if your body is earthed or grounded.
3. **Do not expose power tools to rain or wet conditions.** Water entering a power tool will increase the risk of electric shock.
4. **Do not abuse the cord. Never use the cord for carrying, pulling or unplugging the power tool. Keep cord away from heat, oil, sharp edges or moving parts.** Damaged or entangled cords increase the risk of electric shock.

5. **When operating a power tool outdoors, use an extension cord suitable for outdoor use.** Use of a cord suitable for outdoor use reduces the risk of electric shock.
6. **If operating a power tool in a damp location is unavoidable, use a ground fault circuit interrupter (GFCI) protected supply.** Use of a GFCI reduces the risk of electric shock.
7. **Power tools can produce electromagnetic fields (EMF) that are not harmful to the user.** However, users of pacemakers and other similar medical devices should contact the maker of their device and/or doctor for advice before operating this power tool.

Personal Safety

1. **Stay alert, watch what you are doing and use common sense when operating a power tool. Do not use a power tool while you are tired or under the influence of drugs, alcohol or medication.** A moment of inattention while operating power tools may result in serious personal injury.
2. **Use personal protective equipment. Always wear eye protection.** Protective equipment such as dust mask, non-skid safety shoes, hard hat, or hearing protection used for appropriate conditions will reduce personal injuries.
3. **Prevent unintentional starting. Ensure the switch is in the off-position before connecting to power source and/or battery pack, picking up or carrying the tool.** Carrying power tools with your finger on the switch or energising power tools that have the switch on invites accidents.
4. **Remove any adjusting key or wrench before turning the power tool on.** A wrench or a key left attached to a rotating part of the power tool may result in personal injury.
5. **Do not overreach. Keep proper footing and balance at all times.** This enables better control of the power tool in unexpected situations.
6. **Dress properly. Do not wear loose clothing or jewellery. Keep your hair, clothing and gloves away from moving parts.** Loose clothes, jewellery or long hair can be caught in moving parts.
7. **If devices are provided for the connection of dust extraction and collection facilities, ensure these are connected and properly used.** Use of dust collection can reduce dust-related hazards.
8. **Do not let familiarity gained from frequent use of tools allow you to become complacent and ignore tool safety principles.** A careless action can cause severe injury within a fraction of a second.
9. **Always wear protective goggles to protect your eyes from injury when using power tools. The goggles must comply with ANSI Z87.1 in the USA. It is an employer's responsibility to enforce the use of appropriate safety protective equipment by the tool operators and by other persons in the immediate working area.**

Power tool use and care

1. **Do not force the power tool. Use the correct power tool for your application.** The correct power tool will do the job better and safer at the rate for which it was designed.
2. **Do not use the power tool if the switch does not turn it on and off.** Any power tool that cannot be controlled with the switch is dangerous and must be repaired.

3. **Disconnect the plug from the power source and/or remove the battery pack, if detachable, from the power tool before making any adjustments, changing accessories, or storing power tools.** Such preventive safety measures reduce the risk of starting the power tool accidentally.
4. **Store idle power tools out of the reach of children and do not allow persons unfamiliar with the power tool or these instructions to operate the power tool.** Power tools are dangerous in the hands of untrained users.
5. **Maintain power tools and accessories. Check for misalignment or binding of moving parts, breakage of parts and any other condition that may affect the power tool's operation. If damaged, have the power tool repaired before use.** Many accidents are caused by poorly maintained power tools.
6. **Keep cutting tools sharp and clean.** Properly maintained cutting tools with sharp cutting edges are less likely to bind and are easier to control.
7. **Use the power tool, accessories and tool bits etc. in accordance with these instructions, taking into account the working conditions and the work to be performed.** Use of the power tool for operations different from those intended could result in a hazardous situation.
8. **Keep handles and grasping surfaces dry, clean and free from oil and grease.** Slippery handles and grasping surfaces do not allow for safe handling and control of the tool in unexpected situations.
9. **When using the tool, do not wear cloth work gloves which may be entangled.** The entanglement of cloth work gloves in the moving parts may result in personal injury.

Battery tool use and care

1. **Recharge only with the charger specified by the manufacturer.** A charger that is suitable for one type of battery pack may create a risk of fire when used with another battery pack.
2. **Use power tools only with specifically designated battery packs.** Use of any other battery packs may create a risk of injury and fire.
3. **When battery pack is not in use, keep it away from other metal objects, like paper clips, coins, keys, nails, screws or other small metal objects, that can make a connection from one terminal to another.** Shorting the battery terminals together may cause burns or a fire.
4. **Under abusive conditions, liquid may be ejected from the battery; avoid contact. If contact accidentally occurs, flush with water. If liquid contacts eyes, additionally seek medical help.** Liquid ejected from the battery may cause irritation or burns.
5. **Do not use a battery pack or tool that is damaged or modified.** Damaged or modified batteries may exhibit unpredictable behaviour resulting in fire, explosion or risk of injury.
6. **Do not expose a battery pack or tool to fire or excessive temperature.** Exposure to fire or temperature above 130 °C may cause explosion.
7. **Follow all charging instructions and do not charge the battery pack or tool outside the temperature range specified in the instructions.** Charging improperly or at temperatures outside the specified range may damage the battery and increase the risk of fire.

Service

1. **Have your power tool serviced by a qualified repair person using only identical replacement parts.** This will ensure that the safety of the power tool is maintained.
2. **Never service damaged battery packs.** Service of battery packs should only be performed by the manufacturer or authorized service providers.
3. **Follow instruction for lubricating and changing accessories.**
4. **Do not modify or attempt to repair the appliance or the battery pack except as indicated in the instructions for use and care.**

Cordless grease gun safety warnings

1. **Hold the tool firmly.**
2. **Do not operate the tool near flame.** The grease may be flammable.
3. **Use only grease that meets the specifications stated in this instruction manual.** Installing a different type of grease or any materials other than grease may cause failure.
4. **Do not install any materials other than grease, such as oil.** It may spout out of the tool and get into eyes.
5. **Do not carry the tool by the flexible hose or the rod handle.**
6. **Wear goggles when using the tool.**
7. **Check the flexible hose before each use. Do not use the hose if it is kinked or damaged.** The hose may be ruptured by high pressure and the grease gets into eyes.
8. **Make sure the rod is secured firmly.** The rod may move accidentally and cause a pinching.
9. **Read and follow the instructions of grease manufacture before usage.**
10. **Keep hands and clothes away from the rod of the rod handle.** Otherwise your finger or clothes may be pinched.
11. **Wipe off grease adhering on the tool.** Otherwise it may cause slipping and result in an injury.
12. **Do not bend the flexible hose forcibly or stamp it.** Doing so may cause a breakage or deformation of the hose.
13. **Do not point the adapter at anyone in the vicinity.**
14. **Use the flexible hose only specified by Makita.**
Use of any other hose might present a risk of injury.

SAVE THESE INSTRUCTIONS.

Symbols

The followings show the symbols used for tool.

v	volts
— — —	direct current
psi	pounds per square inch
MPa	megapascals

Important safety instructions for battery cartridge

1. **Before using battery cartridge, read all instructions and cautionary markings on (1) battery charger, (2) battery, and (3) product using battery.**
2. **Do not disassemble or tamper the battery cartridge.** It may result in a fire, excessive heat, or explosion.
3. **If operating time has become excessively shorter, stop operating immediately. It may result in a risk of overheating, possible burns and even an explosion.**
4. **If electrolyte gets into your eyes, rinse them out with clear water and seek medical attention right away. It may result in loss of your eyesight.**
5. **Do not short the battery cartridge:**
 - (1) **Do not touch the terminals with any conductive material.**
 - (2) **Avoid storing battery cartridge in a container with other metal objects such as nails, coins, etc.**
 - (3) **Do not expose battery cartridge to water or rain.**

A battery short can cause a large current flow, overheating, possible burns and even a breakdown.
6. **Do not store and use the tool and battery cartridge in locations where the temperature may reach or exceed 50 °C (122 °F).**
7. **Do not incinerate the battery cartridge even if it is severely damaged or is completely worn out. The battery cartridge can explode in a fire.**
8. **Do not nail, cut, crush, throw, drop the battery cartridge, or hit against a hard object to the battery cartridge.** Such conduct may result in a fire, excessive heat, or explosion.
9. **Do not use a damaged battery.**
10. **The contained lithium-ion batteries are subject to the Dangerous Goods Legislation requirements.** For commercial transports e.g. by third parties, forwarding agents, special requirement on packaging and labeling must be observed. For preparation of the item being shipped, consulting an expert for hazardous material is required. Please also observe possibly more detailed national regulations. Tape or mask off open contacts and pack up the battery in such a manner that it cannot move around in the packaging.
11. **When disposing the battery cartridge, remove it from the tool and dispose of it in a safe place. Follow your local regulations relating to disposal of battery.**
12. **Use the batteries only with the products specified by Makita.** Installing the batteries to non-compliant products may result in a fire, excessive heat, explosion, or leak of electrolyte.
13. **If the tool is not used for a long period of time, the battery must be removed from the tool.**
14. **During and after use, the battery cartridge may take on heat which can cause burns or low temperature burns. Pay attention to the handling of hot battery cartridges.**
15. **Do not touch the terminal of the tool immediately after use as it may get hot enough to cause burns.**

16. Do not allow chips, dust, or soil stuck into the terminals, holes, and grooves of the battery cartridge. It may result in poor performance or breakdown of the tool or battery cartridge.
17. Unless the tool supports the use near high-voltage electrical power lines, do not use the battery cartridge near high-voltage electrical power lines. It may result in a malfunction or breakdown of the tool or battery cartridge.
18. Keep the battery away from children.

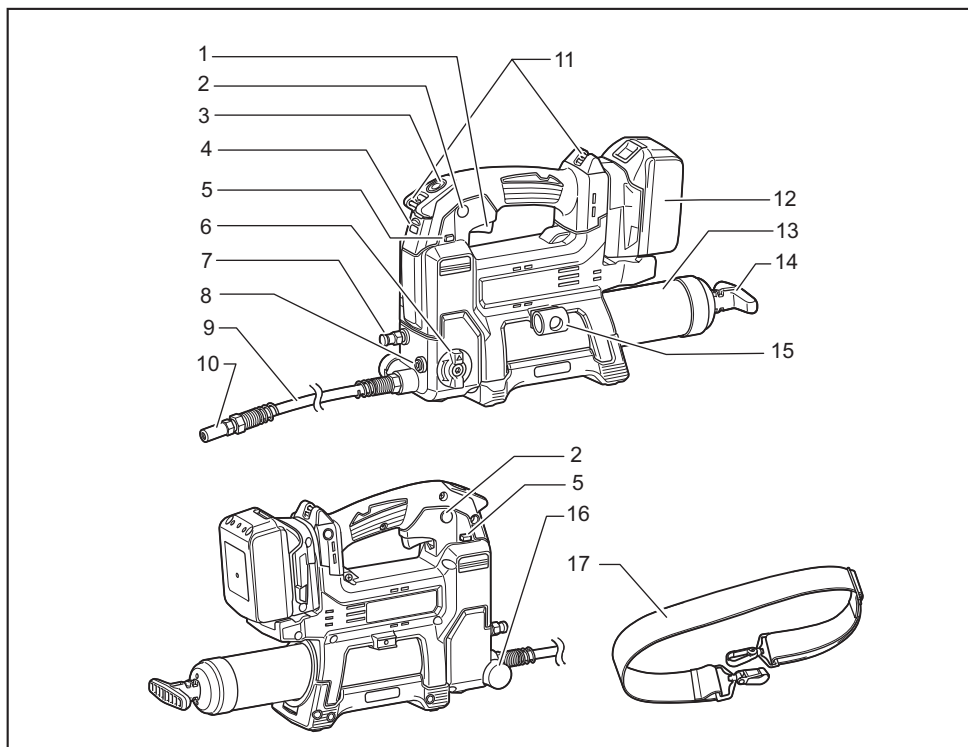
SAVE THESE INSTRUCTIONS.

CAUTION: Only use genuine Makita batteries. Use of non-genuine Makita batteries, or batteries that have been altered, may result in the battery bursting causing fires, personal injury and damage. It will also void the Makita warranty for the Makita tool and charger.

Tips for maintaining maximum battery life

1. Charge the battery cartridge before completely discharged. Always stop tool operation and charge the battery cartridge when you notice less tool power.
2. Never recharge a fully charged battery cartridge. Overcharging shortens the battery service life.
3. Charge the battery cartridge with room temperature at 10 °C - 40 °C (50 °F - 104 °F). Let a hot battery cartridge cool down before charging it.
4. When not using the battery cartridge, remove it from the tool or the charger.
5. Charge the battery cartridge if you do not use it for a long period (more than six months).

PARTS DESCRIPTION



1	Switch trigger	2	Lock button	3	Lamp switch
4	Lamp	5	Trigger-lock button	6	Speed mode changing knob
7	Air drain	8	Filler port plug	9	Flexible hose
10	Adapter	11	Strap hole	12	Battery cartridge
13	Barrel	14	Rod handle	15	Hose holder
16	Pressure relief valve	17	Shoulder strap	-	-

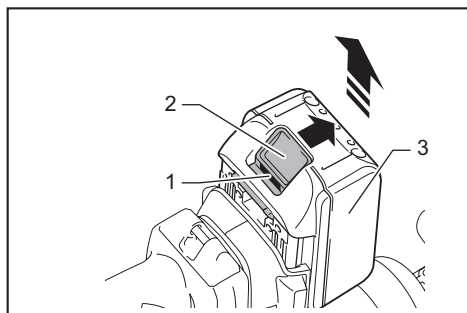
FUNCTIONAL DESCRIPTION

CAUTION: Always be sure that the tool is switched off and the battery cartridge is removed before adjusting or checking function on the tool.

Installing or removing battery cartridge

CAUTION: Always switch off the tool before installing or removing of the battery cartridge.

CAUTION: Hold the tool and the battery cartridge firmly when installing or removing battery cartridge. Failure to hold the tool and the battery cartridge firmly may cause them to slip off your hands and result in damage to the tool and battery cartridge and a personal injury.



► 1. Red indicator 2. Button 3. Battery cartridge

To remove the battery cartridge, slide it from the tool while sliding the button on the front of the cartridge.

To install the battery cartridge, align the tongue on the battery cartridge with the groove in the housing and slip it into place. Insert it all the way until it locks in place with a little click. If you can see the red indicator on the upper side of the button, it is not locked completely.

CAUTION: Always install the battery cartridge fully until the red indicator cannot be seen. If not, it may accidentally fall out of the tool, causing injury to you or someone around you.

CAUTION: Do not install the battery cartridge forcibly. If the cartridge does not slide in easily, it is not being inserted correctly.

Tool / battery protection system

The tool is equipped with a tool/battery protection system. This system automatically cuts off power to the motor to extend tool and battery life. The tool will automatically stop during operation if the tool or battery is placed under one of the following conditions:

Overload protection

When the tool/battery is operated in a manner that causes it to draw an abnormally high current, the tool automatically stops without any indication. In this situation, turn the tool off and stop the application that caused the tool to become overloaded. Then turn the tool on to restart.

Overheat protection

When the tool or battery is overheated, the tool stops automatically and the lamp blinks. In this case, let the tool and battery cool before turning the tool on again.

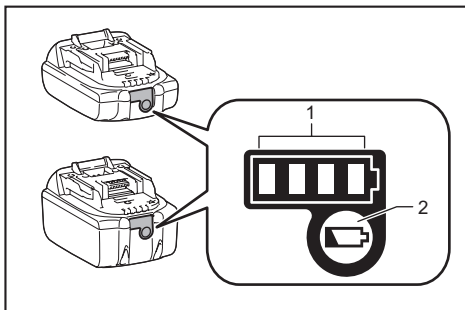
Overdischarge protection

When the battery capacity is not enough, the tool stops automatically. In this case, remove the battery from the tool and charge the battery.

NOTE: The protection system may become more likely to work depending on the ambient temperature or the type and condition of grease.

Indicating the remaining battery capacity

Only for battery cartridges with the indicator



► 1. Indicator lamps 2. Check button

Press the check button on the battery cartridge to indicate the remaining battery capacity. The indicator lamps light up for a few seconds.

Indicator lamps			Remaining capacity
Lighted	Off	Blinking	
■	■	■	75% to 100%
■	■	□	50% to 75%
■	□	□	25% to 50%
■	□	□	0% to 25%
▧	□	□	Charge the battery.
■	□	□	The battery may have malfunctioned.
□	□	■	

NOTE: Depending on the conditions of use and the ambient temperature, the indication may differ slightly from the actual capacity.

NOTE: The first (far left) indicator lamp will blink when the battery protection system works.

Switch action

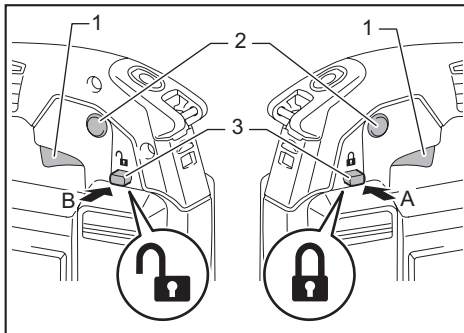
CAUTION: Before installing the battery cartridge into the tool, always check to see that the switch trigger actuates properly and returns to the "OFF" position when released.

CAUTION: When not operating the tool, depress the trigger-lock button from "A" side to lock the switch trigger in the OFF position.

To prevent the switch trigger from accidentally pulled, the trigger-lock button is provided.

To start the tool, depress the trigger-lock button from "B" side and pull the switch trigger.

Tool speed is increased by increasing pressure on the switch trigger. Release the switch trigger to stop. After use, always press in the trigger-lock button from "A" side. For continuous operation, pull the switch trigger and then push in the lock button. To stop the tool from the locked position, pull the switch trigger fully to unlock.

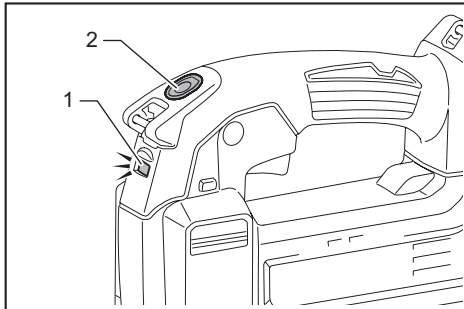


► 1. Switch trigger 2. Lock button 3. Trigger-lock button

Lighting up the front lamp

CAUTION: Do not look in the light or see the source of light directly.

Press the lamp switch to light up the lamp. Press the lamp switch again to turn off the lamp. When the tool is left without any operation for about 60 seconds with the motor stopped, the lamp goes out.



► 1. Lamp switch 2. Lamp

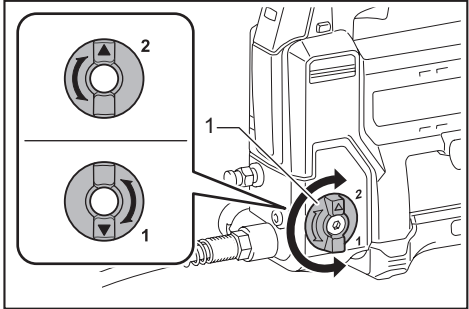
NOTICE: Use a dry cloth to wipe the dirt off the lens of the lamp. Be careful not to scratch the lens of lamp, or it may lower the illumination.

Selecting the speed mode

NOTICE: Change the speed mode only after the tool comes to a complete stop.

The tool employs the speed mode changing knob. Turn the knob so that the arrow on the knob points toward one of the two modes below;

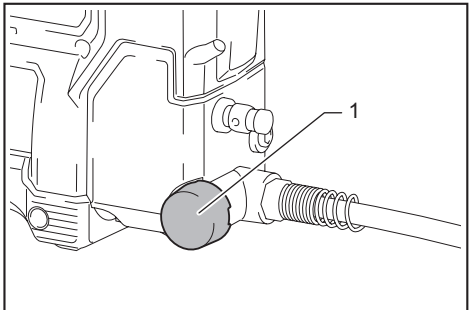
1	Slow speed mode: Dispense grease at constant slow speed.
2	Auto speed mode: Apply grease while varying the flow rate automatically according to pressure of supply destination.



► 1. Speed mode changing knob

Pressure relief valve

When the internal pressure in the tool exceeds a certain level, grease comes out from the pressure relief valve to lower the internal pressure.



► 1. Pressure relief valve

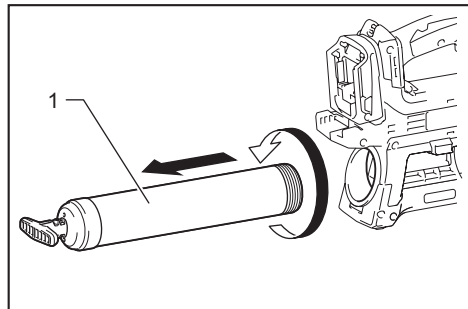
CAUTION: When grease comes out from the pressure relief valve, wipe off the grease with a dry cloth or the like. Otherwise it may cause slipping and result in an injury.

ASSEMBLY

⚠ CAUTION: Always be sure that the tool is switched off and the battery cartridge is removed before carrying out any work on the tool.

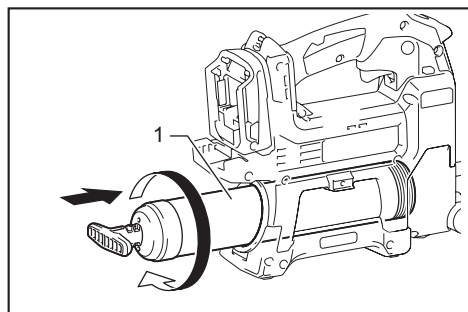
Removing or installing barrel

To remove the barrel, screw it as illustrated.



► 1. Barrel

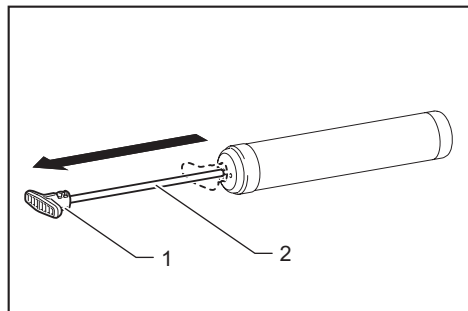
To install the barrel, insert it into the tool then screw in reverse.



► 1. Barrel

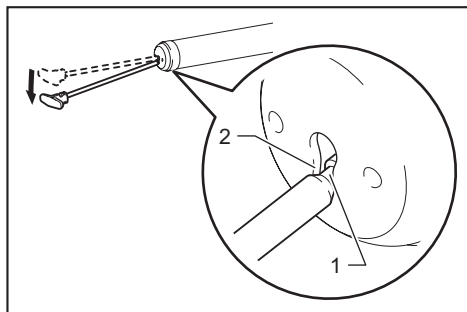
Rod handle

Pull the rod handle when installing grease in the barrel.



► 1. Rod handle 2. Rod

To lock the rod handle fully pulled, pull the rod handle until the groove on the rod can be seen, and then hook the groove onto the slot. To unlock the rod handle, unhook the groove so the rod moves forward.



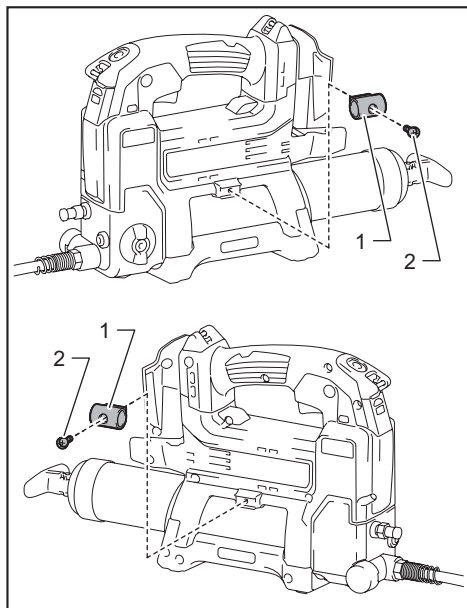
► 1. Groove 2. Slot

⚠ CAUTION: Make sure the rod handle is locked firmly. Otherwise it may be unlocked accidentally and cause a pinching.

NOTE: To pull the rod handle while the barrel installed in the tool, loosen the valve of the air drain to let air comes into the barrel.

Hose holder

The hose holder can be attached to either side of the tool with the screw.



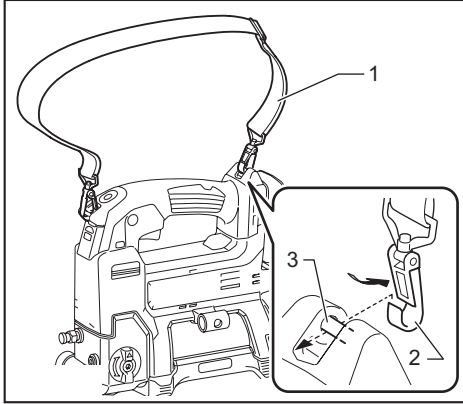
► 1. Hose holder 2. Screw

Shoulder strap

⚠ WARNING: Never use the strap hole for lanyard (tether strap). Doing so may result in serious injury because the strap hole is not intended for a safety device for fall prevention.

⚠ WARNING: When carrying the tool, keep holding the tool even if when using the shoulder strap. Carrying the tool using only the shoulder strap makes it unstable. The shoulder strap may come off or the tool hit other objects and cause injury.

Attach the hooks of the shoulder strap onto the mounts of the strap holes as shown in the figure.



► 1. Shoulder strap 2. Hook 3. Mount

OPERATION

Grease supply

⚠ WARNING: Make sure to read the instruction manuals of the grease and/or other instruments and replace the following contents as necessary. Misuse or failure to follow the instructions may damage the tool or cause an injury.

NOTICE: When using the barrel with the old grease remains, remove the barrel and purge the old grease according to the section for purge of grease.

There are following ways to provide grease:

Installing grease cartridge (commercially-bought) in the barrel

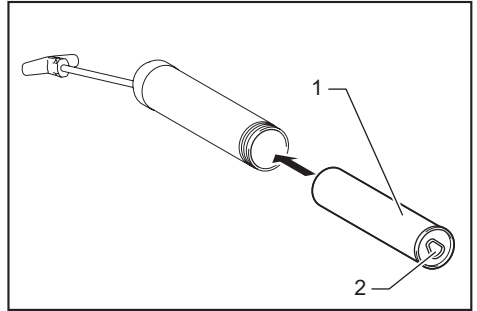
NOTICE: (For A-type barrel only)

Use the grease cartridge whose brim can be hooked on the end surface of the barrel.

NOTICE: (For B-type barrel only)

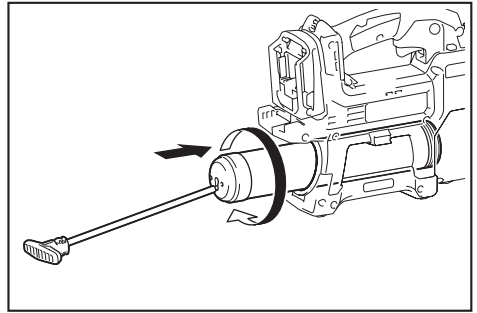
Use the grease cartridge whose brim can be hooked on the inside step of the barrel.

1. Remove the barrel from the tool fully pull the rod handle and lock it.
2. Remove the plastic cap of the grease cartridge and insert the grease cartridge into the barrel.

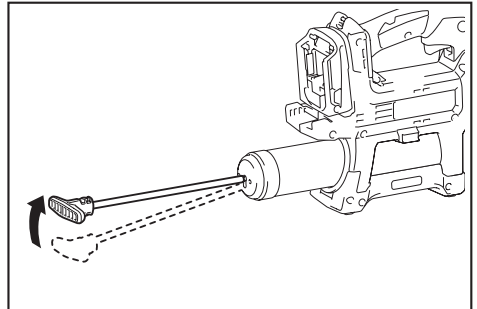


► 1. Grease cartridge (commercially-bought) 2. Pull tab

3. Remove the pull tab of the grease cartridge then install the barrel to the tool. If there is a gap between the brim of the grease cartridge and the barrel, screw the barrel into the tool while pushing the barrel forward.



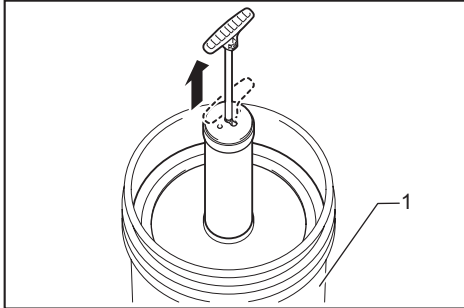
4. Release the rod handle.



5. Eject the air that remains in the flow path of the grease. (Refer to the section for ejection of air.)

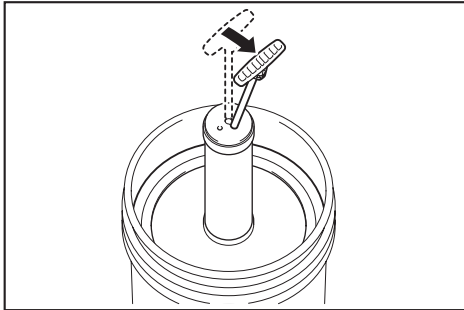
Filling grease in the barrel from a bulk container (commercially-bought)

1. Remove the barrel from the tool.
2. Dip the tip of the barrel in the grease and then pull the rod handle. The grease is pumped up into the barrel.



► 1. Bulk container (commercially-bought)

3. Fully pull the rod handle and lock it.

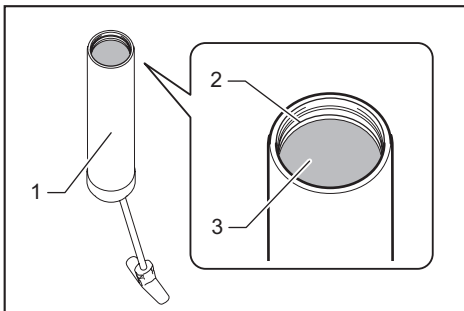


4. Install the barrel to the tool and then unlock the rod handle.
5. Eject the air that remains in the flow path of the grease. (Refer to the section for ejection of air.)

NOTICE: When locking the rod handle, make sure the rod handle is locked firmly. Otherwise the rod handle get unlocked unintentionally, the grease comes out from the barrel.

NOTE: (For B-type barrel only)

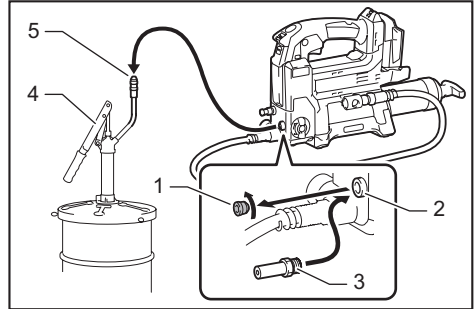
The amount of grease filling should be below the screw groove line. Otherwise grease will overflow when installing the barrel to the tool.



► 1. Barrel (B-type) 2. Screw groove 3. Grease

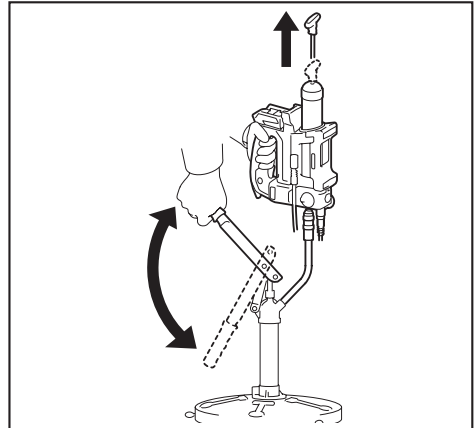
You can also fill grease into the barrel using a filler pump (commercially-bought) attached to the bulk container.

1. Remove the filler port plug. Attach a loader fitting (commercially-bought) to the filler port.
2. With the barrel installed in the tool, connect the loader fitting to the fitting of the filler pump.



► 1. Filler port plug 2. Filler port 3. Loader fitting (commercially-bought) 4. Filler pump (commercially-bought) 5. Fitting

3. Operate the filler pump. The rod of the rod handle will be pushed out as the barrel is filled with grease.



4. Disconnect the loader fitting from the fitting of the filler pump.
5. Eject the air that remains in the flow path of the grease. (Refer to the section for ejection of air.)

⚠WARNING: Use a low-pressure loader fitting only. Never use a high-pressure loader fitting otherwise it may damage the tool and cause a personal injury.

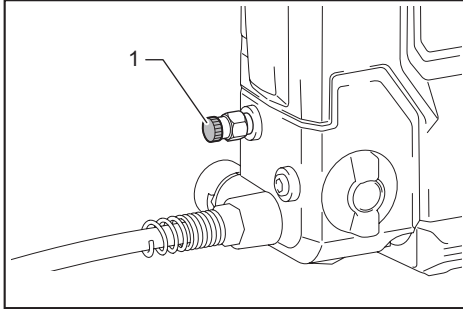
⚠CAUTION: Hold the tool firmly when filling the grease by using a filler pump. The tool may fall and cause an injury.

NOTICE: Stop filling the grease when you see the groove on the rod. Otherwise the grease leakage may occur.

Ejection of air

If air remains in the flow path of the grease, the tool cannot pour grease accurately. Eject the air before each use and also when the tool seems to work improperly due to air.

1. To eject air from inside of the tool, loosen the valve for air drain. Air comes out from the hole for air drain.
2. Fasten the valve when you see the grease coming out of the hole.



▶ 1. Valve

⚠ WARNING: Wear the protective goggles when ejecting the air.

⚠ CAUTION: Wipe off the grease that comes out from the air drain with a dry cloth or the like. Otherwise it may cause slipping and result in an injury.

Dispensing the grease

In the following cases, purge the old grease inside the tool before use;

- When using the tool for the first time or;
- When using different type of the grease from previous use.

With the new grease filled in the barrel, run the tool for a while until the old grease is pushed out from the adapter.

NOTICE: Do not connect the adapter to the grease nipple until the old grease is purged. If different kinds of grease are mixed, the performance of the grease may decline.

NOTE: The tool has been tested at the factory and small amount of the grease remains.

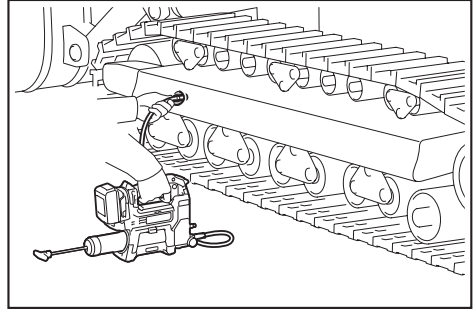
Perform the following procedure to dispense the grease.

⚠ CAUTION: Always check the speed mode before operation.

NOTICE: Before connecting the adapter to the grease nipple, always make sure that the tool dispenses grease properly.

NOTICE: Do not connect the adapter to the grease nipple forcibly.

1. Wipe the adapter and the grease nipple before connecting. Push the adapter straight at the grease nipple.
2. Pull the switch trigger to dispense the grease.



3. When dispensing the grease is finished, remove the adapter from the grease nipple. Tilt the adapter slightly to release internal pressure and then remove the adapter from the grease nipple. Wipe off the grease from the adapter and the grease nipple.

NOTICE: Do not leave the tool running even after the grease depleted. It may shorten the life of the tool.

NOTE: If the internal pressure rises while the switch trigger is not fully pulled, the protection system works and the motor will stop even though the tool does not reach the maximum operating pressure. When injecting the grease at high pressure, pull the switch trigger fully.

NOTE: The tool stops automatically when the tool keep running for more than 6 minutes.

MAINTENANCE

⚠ CAUTION: Always be sure that the tool is switched off and the battery cartridge is removed before attempting to perform inspection or maintenance.

NOTICE: Never use gasoline, benzine, thinner, alcohol or the like. Discoloration, deformation or cracks may result.

To maintain product SAFETY and RELIABILITY, repairs, any other maintenance or adjustment should be performed by Makita Authorized or Factory Service Centers, always using Makita replacement parts.

Purge of grease

When storing the tool or using the barrel in which the grease remains, remove the barrel and purge the old grease in the following procedure.

1. Loosen the valve for air drain.
2. Fully pull the rod handle and lock it.
3. Remove the barrel from the tool.
4. Unlock the rod handle. Keep holding the rod handle and slowly move the rod handle forward so the grease gets out of the barrel.

CAUTION: Do not take hand off from the rod handle. Otherwise the grease pops out vigorously.

NOTICE: Keep dust away from inside of the barrel. Dust may get clogged in the tool.

NOTICE: Clean the inside of the barrel once every three months.

OPTIONAL ACCESSORIES

CAUTION: These accessories or attachments are recommended for use with your Makita tool specified in this manual. The use of any other accessories or attachments might present a risk of injury to persons. Only use accessory or attachment for its stated purpose.

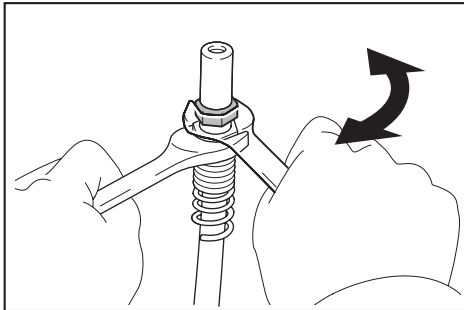
If you need any assistance for more details regarding these accessories, ask your local Makita Service Center.

- Adapter
- Flexible hose
- Barrel
- Cartridge barrel
- Shoulder strap
- Lock on adapter
- Angle adapter
- Makita genuine battery and charger

NOTE: Some items in the list may be included in the tool package as standard accessories. They may differ from country to country.

Replacing of the adapter

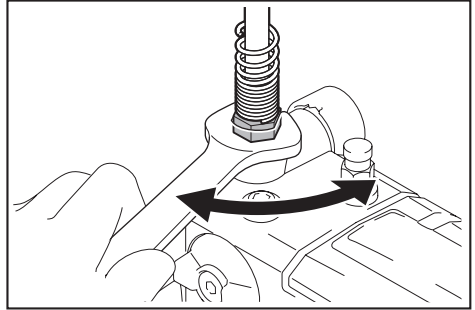
Loosen and remove the old adapter with two wrenches as illustrated and then tighten the new adapter securely.



NOTE: If grease leaks from the joint between the hose and the adapter, wrap thread seal tape around the thread part of the hose before connecting the adapter.

Replacing of the flexible hose

Loosen and remove the old flexible hose with a wrench as illustrated and then tighten the new flexible hose securely.



CAUTION: Replace the rubber ring attached to the connection part of the new flexible hose at the same time. If you replace the flexible hose without the rubber ring or with the old rubber ring, grease may leak and cause an injury.

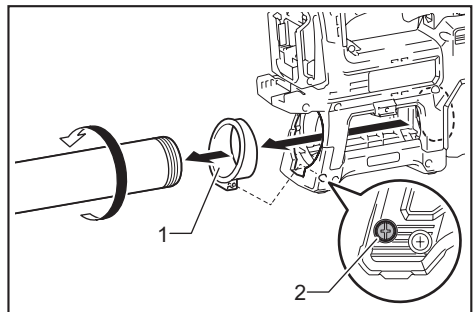
Changing the barrel

NOTE: The barrel type varies depending on the country.

NOTE: To install a barrel of different type, additional parts described below are required depending on the type of the barrel.

Changing the barrel from A-type to B-type

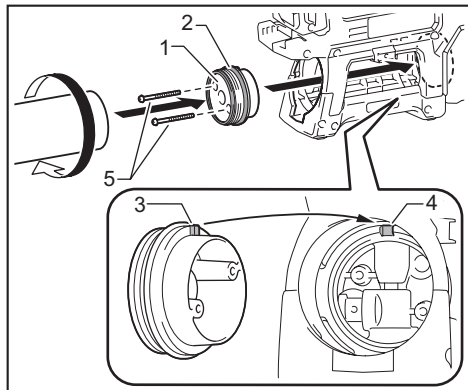
1. Remove A-type barrel.
2. Remove the screw and then the sleeve.



► 1. Sleeve 2. Screw

3. Insert the joint with the rubber packing while aligning the tab with the groove on the mounting part and then secure it with screws.

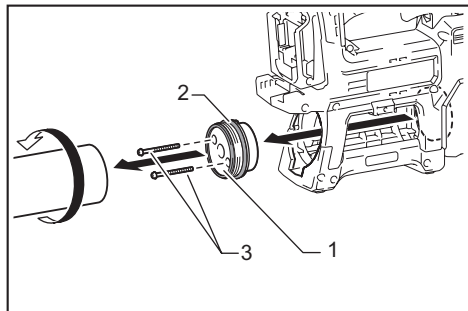
4. Install B-type barrel.



- 1. Joint 2. Rubber packing 3. Tab 4. Groove
5. Screw

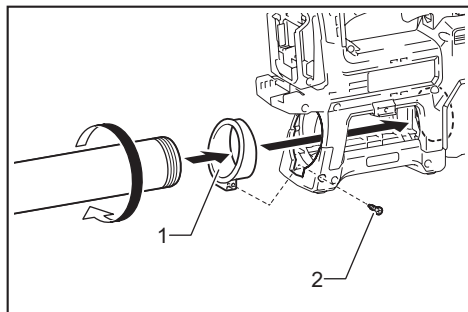
Changing the barrel from B-type to A-type

1. Remove B-type barrel.
2. Unscrew and remove the joint.



- 1. Joint 2. Rubber packing 3. Screw

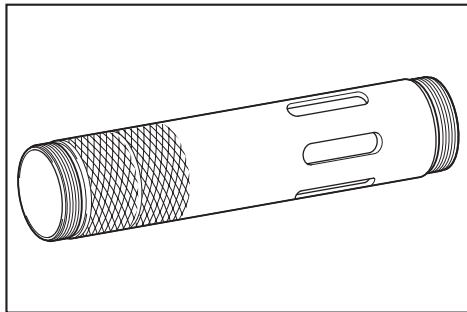
3. Insert the sleeve into the tool housing, then secure it with a screw.
4. Install A-type barrel.



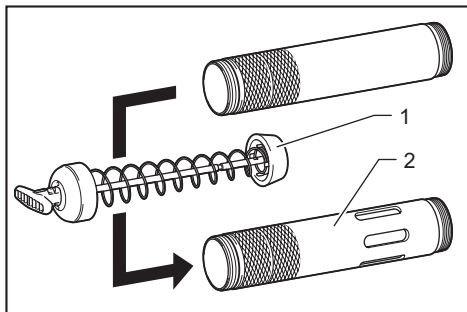
- 1. Sleeve 2. Screw

Cartridge barrel

You can see the grease cartridge through the hole on the cartridge barrel.



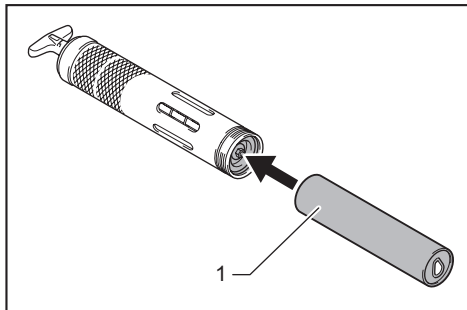
When using the cartridge barrel, transfer the piston parts from the corresponding barrel to the cartridge barrel.



- 1. Piston parts 2. Cartridge barrel

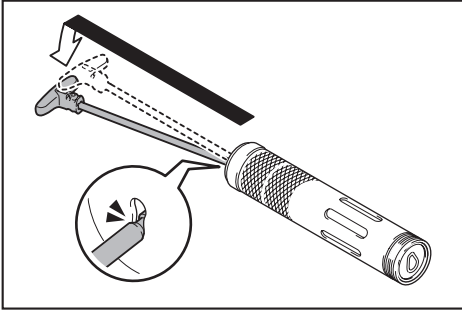
If it is hard to pull out the rod handle, follow the procedure below.

1. Insert the empty grease cartridge into the barrel.



- 1. Empty grease cartridge

2. Pull the the rod handle and lock it.



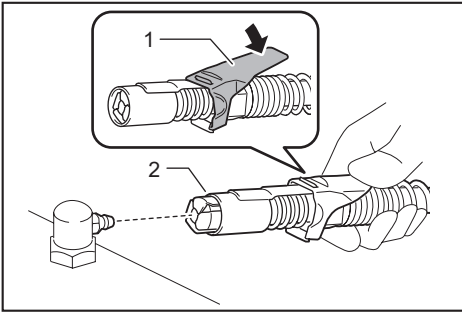
3. Remove the empty grease cartridge from the barrel.

Lock on adapter

CAUTION: Be careful not to pinch the finger in the lock on adapter.

CAUTION: Wear the protective goggles. When removing the lock on adapter from the grease nipple, the grease may spout out of the tool and cause an injury.

When connecting the lock on adapter to the grease nipple, push the lock on adapter straight at the grease nipple while pulling the lever of the lock on adapter, then release the lever.

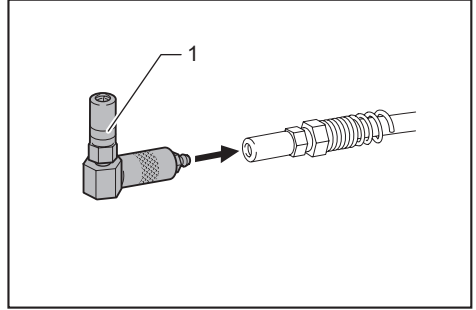


- 1. Lever 2. Lock on adapter

To assemble the lock on adapter, refer to the section for replacing of the adapter.

Angle adapter

When attaching the angle adapter, push the adapter of the tool straight to the angle adapter.



- 1. Angle adapter

MAKITA LIMITED WARRANTY

Please refer to the annexed warranty sheet for the most current warranty terms applicable to this product. If annexed warranty sheet is not available, refer to the warranty details set forth at below website for your respective country.

United States of America: www.makitatools.com

Canada: www.makita.ca

Other countries: www.makita.com

ESPECIFICACIONES

Modelo:		XPG01
Tensión nominal		18 V c.c.
Capacidad de almacenamiento de grasa (con depósito tipo A)	Cartucho	410 g (14,5 oz)
	A granel	455 g (16,0 oz)
Capacidad de almacenamiento de grasa (con depósito tipo B)	Cartucho	450 g (15,9 oz)
	A granel	570 g (20,1 oz)
Presión de funcionamiento máxima		69 MPa (10 000 psi)
Caudal máximo	Modo de baja velocidad	145 ml/min (5,0 fl oz/min)
	Modo de velocidad automática	290 ml/min (10,0 fl oz/min)
Tipo de grasa compatible		Hasta NLGI núm. 0 y núm. 2
Longitud de la manguera		1 200 mm (47-1/4")
Longitud total	Con depósito tipo A	411 mm (16-1/4")
	Con depósito tipo B	449 mm (17-3/4")
Peso neto		4,8 kg - 6,1 kg (10,6 lbs - 13,4 lbs)

NOTA: El tipo de depósito (tipo A o tipo B) varía en función del país.

- Debido a nuestro continuo programa de investigación y desarrollo, las especificaciones aquí incluidas están sujetas a cambio sin previo aviso.
- Las especificaciones y el cartucho de batería pueden variar de país a país.
- El peso puede variar en función de los accesorios, incluido el cartucho de batería. En la tabla se muestra la combinación de peso más ligero y más pesado conforme al procedimiento 01/2014 de EPTA.

Cartucho de batería y cargador aplicables

Cartucho de batería	BL1815N / BL1820B / BL1830 / BL1830B / BL1840B / BL1850B / BL1860B
Cargador	DC18RC / DC18RD / DC18RE / DC18SD / DC18SE / DC18SF / DC18SH

- Algunos de los cartuchos de batería y cargadores enumerados arriba podrían no estar disponibles dependiendo de su área de residencia.

⚠ ADVERTENCIA: Use únicamente los cartuchos de batería y los cargadores indicados arriba. El uso de cualquier otro cartucho de batería y cargador podría ocasionar una lesión y/o un incendio.

ADVERTENCIAS DE SEGURIDAD

Advertencias generales de seguridad para herramientas eléctricas

⚠ ADVERTENCIA: Lea todas las advertencias de seguridad, instrucciones, ilustraciones y especificaciones suministradas con esta herramienta eléctrica. El no seguir todas las instrucciones indicadas a continuación podría ocasionar una descarga eléctrica, incendio y/o lesiones graves.

Conservar todas las advertencias e instrucciones como referencia en el futuro.

En las advertencias, el término "herramienta eléctrica" se refiere a su herramienta eléctrica de funcionamiento con conexión a la red eléctrica (con cableado eléctrico) o herramienta eléctrica de funcionamiento a batería (inalámbrica).

Seguridad en el área de trabajo

1. **Mantenga el área de trabajo limpia y bien iluminada.** Las áreas oscuras o desordenadas son propensas a accidentes.
2. **No utilice las herramientas eléctricas en atmósferas explosivas, tal como en la presencia de líquidos, gases o polvo inflamables.** Las herramientas eléctricas crean chispas que pueden prender fuego al polvo o los humos.
3. **Mantenga a los niños y curiosos alejados mientras utiliza una herramienta eléctrica.** Las distracciones le pueden hacer perder el control.

Seguridad eléctrica

1. **Las clavijas de conexión de las herramientas eléctricas deberán encajar perfectamente en la toma de corriente. No modifique nunca la clavija de conexión de ninguna forma. No utilice ninguna clavija adaptadora con herramientas eléctricas que tengan conexión a tierra (puesta a tierra).** La utilización de clavijas no modificadas y que encajen perfectamente en la toma de corriente reducirá el riesgo de que se produzca una descarga eléctrica.
2. **Evite tocar con el cuerpo superficies conectadas a tierra o puestas a tierra tales como tubos, radiadores, cocinas y refrigeradores.** Si su cuerpo es puesto a tierra o conectado a tierra existirá un mayor riesgo de que sufra una descarga eléctrica.
3. **No exponga las herramientas eléctricas a la lluvia ni a condiciones húmedas.** La entrada de agua en una herramienta eléctrica aumentará el riesgo de que se produzca una descarga eléctrica.
4. **No maltrate el cable. Nunca utilice el cable para transportar, jalar o desconectar la herramienta eléctrica.** Mantenga el cable alejado del calor, aceite, objetos cortantes o piezas móviles. Los cables dañados o enredados aumentan el riesgo de sufrir una descarga eléctrica.
5. **Cuando utilice una herramienta eléctrica en exteriores, utilice un cable de extensión apropiado para uso en exteriores.** La utilización de un cable apropiado para uso en exteriores reducirá el riesgo de que se produzca una descarga eléctrica.
6. **Si no es posible evitar usar una herramienta eléctrica en condiciones húmedas, utilice un alimentador protegido con interruptor de circuito de falla a tierra (ICFT).** El uso de un ICFT reduce el riesgo de descarga eléctrica.
7. **Las herramientas eléctricas pueden producir campos electromagnéticos (CEM) que no son dañinos para el usuario.** Sin embargo, si los usuarios tienen marcapasos y otros dispositivos médicos similares, deberán consultar al fabricante de su dispositivo y/o a su médico antes de operar esta herramienta eléctrica.

Seguridad personal

1. **Manténgase alerta, preste atención a lo que está haciendo y utilice su sentido común cuando opere una herramienta eléctrica. No utilice una herramienta eléctrica cuando esté cansado o bajo la influencia de drogas, alcohol o medicamentos.** Un momento de distracción mientras opera las herramientas eléctricas puede terminar en una lesión grave.
2. **Use equipo de protección personal. Póngase siempre protección para los ojos.** El equipo protector tal como máscara contra el polvo, zapatos de seguridad antiderrapantes, casco rígido y protección para oídos utilizado en las condiciones apropiadas reducirá el riesgo de lesiones.
3. **Impida el encendido accidental. Asegúrese de que el interruptor esté en la posición de apagado antes de conectar a la alimentación eléctrica y/o de colocar el cartucho de batería, así como al levantar o cargar la herramienta.** Cargar las herramientas eléctricas con su dedo en el interruptor o enchufarlas con el interruptor encendido hace que los accidentes sean comunes.

4. **Retire cualquier llave de ajuste o llave de apriete antes de encender la herramienta.** Una llave de ajuste o llave de apriete que haya sido dejada puesta en una parte giratoria de la herramienta eléctrica puede ocasionar alguna lesión.
5. **No utilice la herramienta donde no alcance. Mantenga los pies sobre suelo firme y el equilibrio en todo momento.** Esto permite un mejor control de la herramienta eléctrica en situaciones inesperadas.
6. **Use una vestimenta apropiada. No use ropa suelta ni alhajas.** Mantenga el cabello, la ropa y los guantes alejados de las piezas móviles. Las prendas de vestir holgadas, las alhajas y el cabello largo suelto podrían engancharse en estas piezas móviles.
7. **Si dispone de dispositivos para la conexión de equipos de extracción y recolección de polvo, asegúrese de conectarlos y utilizarlos debidamente.** Hacer uso de la recolección de polvo puede reducir los riesgos relacionados con el polvo.
8. **No permita que la familiaridad adquirida debido al uso frecuente de las herramientas haga que se sienta confiado e ignore los principios de seguridad de las herramientas.** Un descuido podría ocasionar una lesión grave en una fracción de segundo.
9. **Utilice siempre gafas protectoras para proteger sus ojos de lesiones al usar herramientas eléctricas. Las gafas deben cumplir con la Norma ANSI Z87.1 en EUA.** Es responsabilidad del empleador imponer el uso de equipos protectores de seguridad apropiados a los operadores de la herramienta y demás personas cerca del área de trabajo.

Mantenimiento y uso de la herramienta eléctrica

1. **No fuerce la herramienta eléctrica. Utilice la herramienta eléctrica correcta para su aplicación.** La herramienta eléctrica adecuada hará un mejor trabajo y de forma más segura a la velocidad para la que ha sido fabricada.
2. **No utilice la herramienta eléctrica si el interruptor no la enciende y apaga.** Cualquier herramienta eléctrica que no pueda ser controlada con el interruptor es peligrosa y debe ser reemplazada.
3. **Desconecte la clavija de la fuente de alimentación y/o retire la batería de la herramienta eléctrica, en caso de ser removible, antes de realizar ajustes, cambiar accesorios o almacenar las herramientas eléctricas.** Tales medidas de seguridad preventivas reducirán el riesgo de poner en marcha la herramienta eléctrica de forma accidental.
4. **Guarde la herramienta eléctrica que no use fuera del alcance de los niños y no permita que las personas que no están familiarizadas con ella o con las instrucciones la operen.** Las herramientas eléctricas son peligrosas en manos de personas que no saben operarlas.
5. **Dé mantenimiento a las herramientas eléctricas y los accesorios. Compruebe que no haya piezas móviles desalineadas o estancadas, piezas rotas y cualquier otra condición que pueda afectar al funcionamiento de la herramienta eléctrica.** Si la herramienta eléctrica está dañada, haga que la reparen antes de utilizarla. Muchos de los accidentes son ocasionados por no dar un mantenimiento adecuado a las herramientas eléctricas.

6. **Mantenga las herramientas de corte limpias y filosas.** Si recibe un mantenimiento adecuado y tiene los bordes afilados, es probable que la herramienta se atasque menos y sea más fácil controlarla.
7. **Utilice la herramienta eléctrica, los accesorios y las brocas de acuerdo con estas instrucciones, considerando las condiciones laborales y el trabajo a realizar.** Si utiliza la herramienta eléctrica para realizar operaciones distintas de las indicadas, podrá presentarse una situación peligrosa.
8. **Mantenga los mangos y superficies de asimiento secos, limpios y libres de aceite o grasa.** Los mangos y superficies de asimiento resbalosos no permiten una manipulación segura ni el control de la herramienta en situaciones inesperadas.
9. **Cuando vaya a utilizar esta herramienta, evite usar guantes de trabajo de tela ya que éstos podrían atorarse.** Si los guantes de trabajo de tela llegaran a atorarse en las piezas móviles, esto podría ocasionar lesiones personales.

Uso y cuidado de la herramienta a batería

1. **Recargue sólo con el cargador especificado por el fabricante.** Un cargador que es adecuado para un solo tipo de batería puede generar riesgo de incendio al ser utilizado con otra batería.
2. **Utilice las herramientas eléctricas solamente con las baterías designadas específicamente para ellas.** La utilización de cualquier otra batería puede crear un riesgo de lesiones o incendio.
3. **Cuando no se esté usando la batería, manténgala alejada de otros objetos metálicos, como sujetapapeles (clips), monedas, llaves, clavos, tornillos u otros objetos pequeños de metal los cuales pueden actuar creando una conexión entre las terminales de la batería.** Originar un cortocircuito en las terminales puede causar quemaduras o incendios.
4. **En condiciones abusivas, podrá escapar líquido de la batería; evite tocarlo. Si lo toca accidentalmente, enjuague con agua. Si hay contacto del líquido con los ojos, busque asistencia médica.** Puede que el líquido expulsado de la batería cause irritación o quemaduras.
5. **No utilice una herramienta ni una batería que estén dañadas o hayan sido modificadas.** Las baterías dañadas o modificadas podrían ocasionar una situación inesperada provocando un incendio, explosión o riesgo de lesiones.
6. **No exponga la herramienta ni la batería al fuego ni a una temperatura excesiva.** La exposición al fuego o a una temperatura superior a los 130 °C podría causar una explosión.
7. **Siga todas las instrucciones para la carga y evite cargar la herramienta o la batería fuera del rango de temperatura especificado en las instrucciones.** Una carga inadecuada o a una temperatura fuera del rango especificado podría dañar la batería e incrementar el riesgo de incendio.

Servicio

1. **Haga que una persona calificada repare la herramienta eléctrica utilizando sólo piezas de repuesto idénticas.** Esto asegura que se mantenga la seguridad de la herramienta eléctrica.
2. **Nunca dé servicio a baterías que estén dañadas.** El servicio a las baterías solamente deberá ser efectuado por el fabricante o un agente de servicio autorizado.
3. **Siga las instrucciones para la lubricación y cambio de accesorios.**
4. **No modifique ni intente reparar el aparato ni el paquete de baterías salvo como se indique en las instrucciones para el uso y cuidado.**


Advertencias de seguridad para la pistola engrasadora inalámbrica

1. **Sujete la herramienta con firmeza.**
2. **No opere la herramienta cerca de las llamas.** La grasa podría ser inflamable.
3. **Utilice grasa que cumpla con las especificaciones manifestadas en este manual de instrucciones únicamente.** La instalación de un tipo diferente de grasa o cualquier otro material que no sea grasa puede ocasionar fallas.
4. **No instale ningún otro material que no sea grasa, como aceite.** Podría salirse a chorros de la herramienta y entrar en los ojos.
5. **No transporte la herramienta sujetándola de la manguera flexible o del mango de la barra.**
6. **Utilice gafas protectoras cuando utilice la herramienta.**
7. **Verifique la manguera flexible antes de cada uso. No utilice la manguera si la misma está doblada o dañada.** La manguera podría romperse por la alta presión y la grasa entraría en contacto con los ojos.
8. **Asegúrese de que la barra esté bien sujeta.** La barra podría moverse accidentalmente y provocar un atoramiento.
9. **Lea y siga las instrucciones del fabricante de la grasa antes de su uso.**
10. **Mantenga alejadas las manos y su ropa de la barra del mango de la barra.** De lo contrario, sus dedos o ropa podrían enredarse.
11. **Limpie la grasa adherida sobre la herramienta.** De lo contrario, podría ocasionar un resbalón y causar una lesión.
12. **No doble la manguera flexible forzosamente ni la pise.** Esto podría ocasionar una rotura o deformación de la manguera.
13. **No apunte el adaptador a nadie alrededor.**
14. **Utilice la manguera flexible especificada por Makita únicamente.** El uso de cualquier otra manguera podría generar un riesgo de lesión.

GUARDE ESTAS INSTRUCCIONES.

Símbolos

A continuación se muestran los símbolos utilizados para la herramienta.

V	volts o voltios
	corriente directa o continua
psi	libras por pulgada cuadrada
MPa	megapascales

Instrucciones importantes de seguridad para el cartucho de batería

1. Antes de utilizar el cartucho de batería, lea todas las instrucciones e indicaciones de precaución en el (1) el cargador de batería, (2) la batería, y (3) el producto con el que se utiliza la batería.
2. No desarme ni modifique el cartucho de batería. Podría ocurrir un incendio, calor excesivo o una explosión.
3. Si el tiempo de operación se ha acortado en exceso, deje de operar de inmediato. Podría correrse el riesgo de sobrecalentamiento, posibles quemaduras e incluso explosión.
4. En caso de que ingresen electrolitos en sus ojos, enjuáguelos bien con agua limpia y consulte de inmediato a un médico. Esto podría ocasionar pérdida de visión.
5. Evite cortocircuitar el cartucho de batería:
 - (1) No toque las terminales con ningún material conductor.
 - (2) Evite guardar el cartucho de batería en un cajón junto con otros objetos metálicos, tales como clavos, monedas, etc.
 - (3) No esponga el cartucho de batería al agua o la lluvia.Un cortocircuito en la batería puede causar un flujo grande de corriente, sobrecalentamiento, posibles quemaduras e incluso una descompostura.
6. No guarde ni utilice la herramienta y el cartucho de batería en lugares donde la temperatura pueda alcanzar o exceder los 50 °C (122 °F).
7. Nunca incinere el cartucho de batería incluso en el caso de que esté dañado seriamente o ya no sirva en absoluto. El cartucho de batería puede explotar si se tira al fuego.
8. No clave, corte, aplaste, lance o deje caer el cartucho de batería, ni golpee un objeto sólido contra el cartucho de batería. Dicha acción podría resultar en un incendio, calor excesivo o en una explosión.

9. No use una batería dañada.
10. Las baterías de ión de litio están sujetas a los requisitos reglamentarios en materia de bienes peligrosos.

Para el trasporte comercial, por ej., mediante terceros o agentes de transporte, se deben tomar en cuenta los requisitos especiales relativos al empaque y el etiquetado.

Para efectuar los preparativos del artículo que se va a enviar, se requiere consultar a un experto en materiales peligrosos. Si es posible, consulte además otras regulaciones nacionales más detalladas.

Pegue o cubra con cinta adhesiva los contactos abiertos y empaque la batería de manera que ésta no pueda moverse dentro del paquete.
11. Para deshacerse del cartucho de batería, sáquelo de la herramienta y deséchelo en un lugar seguro. Siga las regulaciones locales relacionadas al desecho de las baterías.
12. Utilice las baterías únicamente con los productos especificados por Makita. Instalar las baterías en productos que no cumplan con los requisitos podría ocasionar un incendio, un calentamiento excesivo, una explosión o una fuga de electrolito.
13. Si no se utiliza la herramienta por un período largo, debe extraerse la batería de la herramienta.
14. El cartucho de batería podría absorber calor durante y después de su uso, lo que ocasionaría quemaduras o quemaduras a baja temperatura. Tenga cuidado con la manipulación de los cartuchos de batería que estén calientes.
15. No toque el terminal de la herramienta inmediatamente después de su uso, ya que el mismo podría estar lo suficientemente caliente como para provocar quemaduras.
16. No permita que las rebabas, el polvo o la tierra queden atrapados en los terminales, orificios y ranuras del cartucho de batería. Esto podría ocasionar un desempeño deficiente o descompostura de la herramienta o del cartucho de batería.
17. No utilice el cartucho de batería cerca de cables eléctricos de alto voltaje, a menos que la herramienta sea compatible con el uso cercano a estos cables eléctricos de alto voltaje. Esto podría ocasionar una avería o descompostura de la herramienta o del cartucho de batería.
18. Mantenga la batería alejada de los niños.

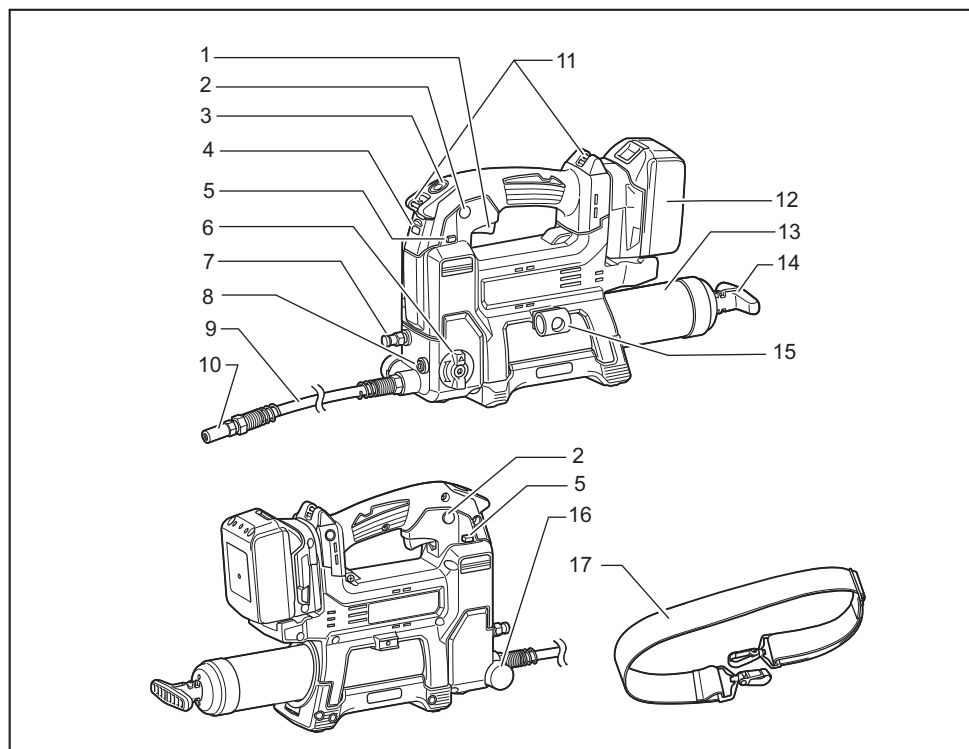
GUARDE ESTAS INSTRUCCIONES.

⚠PRECAUCIÓN: Utilice únicamente baterías originales de Makita. El uso de baterías no originales de Makita, o de baterías alteradas, puede ocasionar que las baterías exploten causando un incendio, lesiones personales y daños. Asimismo, esto invalidará la garantía de Makita para la herramienta y el cargador Makita.

Consejos para alargar al máximo la vida útil de la batería

1. Cargue el cartucho de batería antes de que se descargue completamente. Pare siempre la operación y cargue el cartucho de batería cuando note menos potencia en la herramienta.
2. No cargue nunca un cartucho de batería que esté completamente cargado. La sobrecarga acortará la vida de servicio de la batería.
3. Cargue el cartucho de batería a una temperatura ambiente de 10 °C - 40 °C (50 °F - 104 °F). Si un cartucho de batería está caliente, déjelo enfriar antes de cargarlo.
4. Cuando no utilice el cartucho de batería, sáquelo de la herramienta o del cargador.
5. Cargue el cartucho de batería si no va a utilizarlo durante un período prolongado (más de seis meses).

DESCRIPCIÓN DE LAS PIEZAS



1	Gatillo interruptor	2	Botón de bloqueo	3	Interruptor de la luz indicadora
4	Luz indicadora	5	Botón de bloqueo del gatillo	6	Perilla de cambio de modo de velocidad
7	Conducto de ventilación	8	Toma del puerto de suministro	9	Manguera flexible
10	Adaptador	11	Orificio para la correa	12	Cartucho de batería
13	Depósito	14	Mango de la barra	15	Sujetador de la manguera
16	Válvula de alivio de presión	17	Correa para hombro	-	-

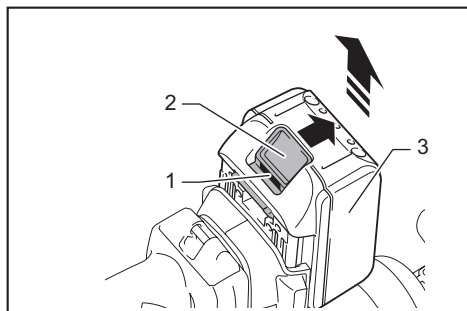
DESCRIPCIÓN DEL FUNCIONAMIENTO

⚠️ PRECAUCIÓN: Asegúrese siempre de que la herramienta esté apagada y el cartucho de batería haya sido extraído antes de realizar cualquier ajuste o comprobación en la herramienta.

Instalación o extracción del cartucho de batería

⚠️ PRECAUCIÓN: Apague siempre la herramienta antes de colocar o quitar el cartucho de batería.

⚠️ PRECAUCIÓN: Sujete la herramienta y el cartucho de la batería con firmeza al colocar o quitar el cartucho de batería. Si no se sujeta con firmeza la herramienta y el cartucho de batería, puede ocasionar que se resbalen de sus manos causando daños a la herramienta y al cartucho de batería, así como lesiones a la persona.



► 1. Indicador rojo 2. Botón 3. Cartucho de batería

Para quitar el cartucho de batería, deslícelo de la herramienta mientras desliza el botón sobre la parte delantera del cartucho.

Para colocar el cartucho de batería, alinee la lengüeta sobre el cartucho de batería con la ranura en la carcasa y deslice en su lugar. Inserte por completo hasta que se fije en su lugar con un pequeño clic. Si puede ver el indicador rojo del lado superior del botón, esto indica que no ha quedado fijo por completo.

⚠️ PRECAUCIÓN: Introduzca siempre completamente el cartucho de batería hasta que el indicador rojo no pueda verse. Si no, podría accidentalmente salirse de la herramienta y caer al suelo causando una lesión a usted o alguien a su alrededor.

⚠️ PRECAUCIÓN: No instale el cartucho de batería a la fuerza. Si el cartucho no se desliza al interior fácilmente, se debe a que no está siendo insertado correctamente.

Sistema de protección para la herramienta/batería

La herramienta está equipada con un sistema de protección de la herramienta/batería. Este sistema corta en forma automática el suministro de energía al motor para prolongar la vida útil de la herramienta y la batería. La herramienta se detendrá automáticamente durante la operación si la herramienta o la batería se someten a una de las siguientes condiciones:

Protección contra sobrecarga

Cuando la herramienta/batería se esté utilizando de una manera que cause que consuma una cantidad de corriente inusualmente alta, la herramienta se detendrá automáticamente sin que haya indicación alguna. En este caso, apague la herramienta y detenga la aplicación que causó que la herramienta se sobrecargara. Luego encienda la herramienta para reiniciarla.

Protección contra sobrecalentamiento

Cuando la herramienta o la batería se sobrecalienten, la herramienta se detendrá automáticamente y la lámpara parpadeará. En este caso, permita que la herramienta y la batería se enfríen antes de volver a encender la herramienta.

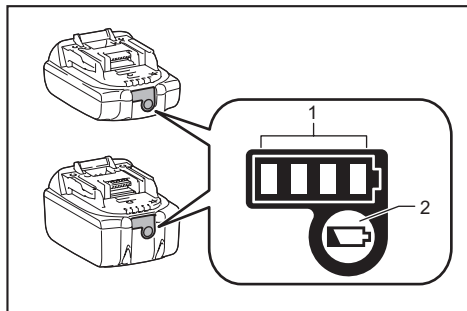
Protección en caso de sobredescarga

Cuando la capacidad de la batería no es suficiente, la herramienta se detiene automáticamente. En este caso, retire la batería de la herramienta y cárguela.

NOTA: Es más probable que el sistema de protección funcione dependiendo de la temperatura ambiente o del tipo y condición de la grasa.

Indicación de la capacidad restante de la batería

Únicamente para cartuchos de batería con el indicador



► 1. Luces indicadoras 2. Botón de verificación

Oprima el botón de verificación en el cartucho de la batería para que indique la capacidad restante de la batería. Las luces indicadoras se iluminarán por algunos segundos.

Luces indicadoras			Capacidad restante
Iluminadas	Apagadas	Parpadeando	
■ ■ ■ ■			75% a 100%
■ ■ ■ □			50% a 75%
■ ■ □ □			25% a 50%
■ □ □ □			0% a 25%
▬ □ □ □			Cargar la batería.
■ ■ □ □			La batería pudo haber funcionado mal.
□ □ ■ ■	↑ ↓		

NOTA: Dependiendo de las condiciones de uso y la temperatura ambiente, la indicación podrá diferir ligeramente de la capacidad real.

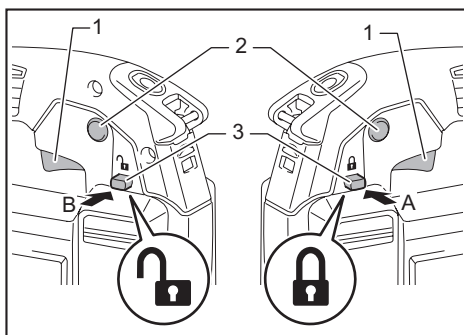
NOTA: La primera luz indicadora (extrema izquierda) parpadeará cuando el sistema de protección de batería esté en funcionamiento.

Accionamiento del interruptor

PRECAUCIÓN: Antes de insertar el cartucho de batería en la herramienta, compruebe siempre y cerciéndose de que el gatillo interruptor se acciona debidamente y que vuelve a la posición "OFF" (apagado) cuando lo suelta.

PRECAUCIÓN: Cuando no vaya a utilizar la herramienta, oprima el botón de bloqueo del gatillo del lado "A" para bloquear el gatillo interruptor en la posición de apagado.

Para evitar jalar accidentalmente el gatillo interruptor, se suministra el botón de bloqueo del gatillo. Para arrancar la herramienta, oprima el botón de bloqueo del gatillo del lado "B" y jale el gatillo interruptor. La velocidad de la herramienta aumenta incrementando la presión en el gatillo interruptor. Para detenerla, suelte el gatillo interruptor. Después de usarlo, siempre presione el botón de bloqueo del gatillo desde el lado "A". Para una operación continua, jale el gatillo interruptor y luego presione el botón de bloqueo. Para detener la herramienta desde la posición bloqueada, jale completamente el gatillo interruptor para desbloquearlo.

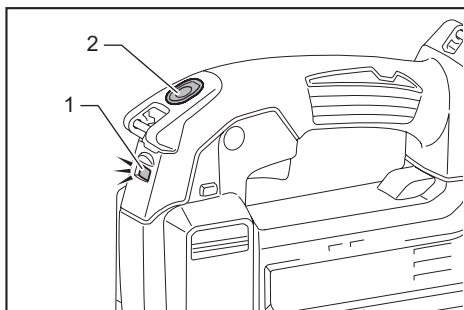


► 1. Gatillo interruptor 2. Botón de bloqueo 3. Botón de bloqueo del gatillo

Iluminación de la luz delantera

PRECAUCIÓN: No mire a la luz ni vea a la fuente de luz directamente.

Oprima el interruptor de la luz indicadora para encender la luz indicadora. Oprima el interruptor de la luz indicadora nuevamente para apagar la luz indicadora. Cuando la herramienta permanezca 60 segundos sin realizar ninguna operación con el motor detenido, la luz indicadora se apagará.



► 1. Luz 2. Interruptor de la luz indicadora

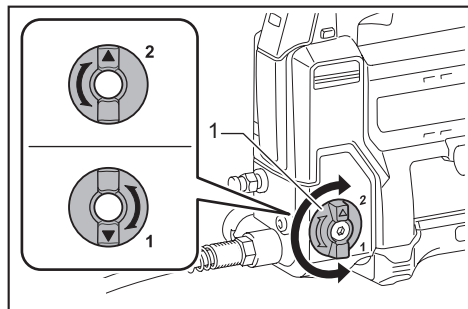
AVISO: Utilice un paño seco para quitar la suciedad de la lente de la lámpara. Tenga cuidado de no rayar la lente de la lámpara ya que la iluminación podría disminuir.

Selección del modo de velocidad

AVISO: Cambie el modo de velocidad únicamente después de que la herramienta se haya detenido por completo.

La herramienta emplea la perilla de cambio de modo de velocidad. Gire la perilla de modo que la flecha en la perilla apunte hacia uno de los dos modos a continuación;

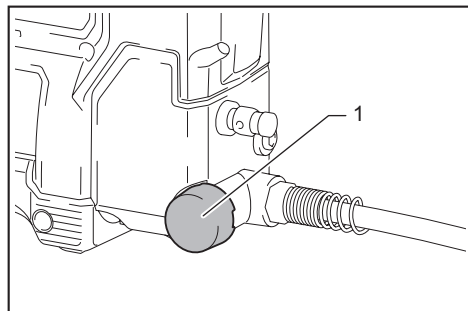
- | | |
|---|---|
| 1 | Modo de baja velocidad: Despacha grasa a una velocidad baja y constante. |
| 2 | Modo de velocidad automática: Aplique grasa mientras varía el caudal automáticamente, de acuerdo con la presión del destino de suministro. |



► 1. Perilla de cambio de modo de velocidad

Válvula de alivio de presión

Cuando la presión interna en la herramienta supera un cierto nivel, la grasa sale de la válvula de alivio de presión para disminuir la presión interna.



► 1. Válvula de alivio de presión

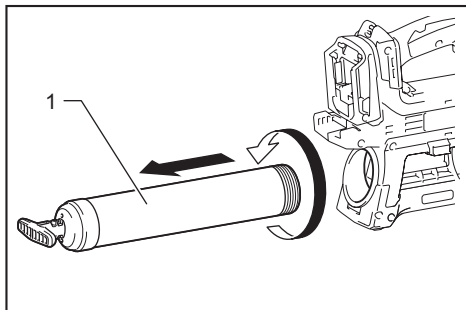
PRECAUCIÓN: Cuando salga grasa de la válvula de alivio de presión, limpie la grasa con un paño seco o similar. De lo contrario, podría ocasionar un resbalón y causar una lesión.

MONTAJE

PRECAUCIÓN: Asegúrese siempre de que la herramienta esté apagada y el cartucho de batería haya sido extraído antes de realizar cualquier trabajo en la misma.

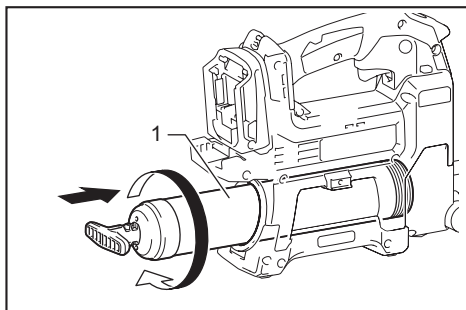
Extracción o instalación del depósito

Para extraer el depósito, desatornillelo como se muestra.



► 1. Depósito

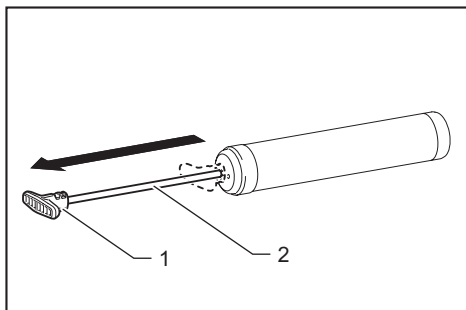
Para instalar el depósito, insértelo en la herramienta y luego atornille en sentido inverso.



► 1. Depósito

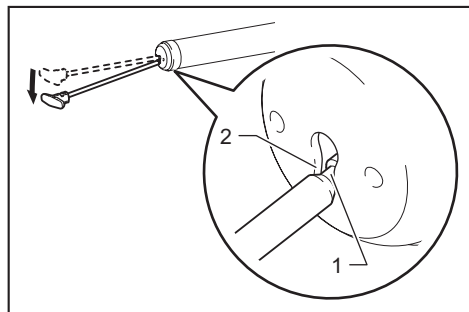
Mango de la barra

Jale el mango de la barra cuando introduzca grasa en el depósito.



► 1. Mango de la barra 2. Barra

Para bloquear el mango de la barra jalado por completo, tire del mango de la barra hasta que se vea la ranura de la barra, y luego enganche la ranura en la hendidura. Para desbloquear el mango de la barra, desenganche la ranura para que la barra se mueva hacia adelante.



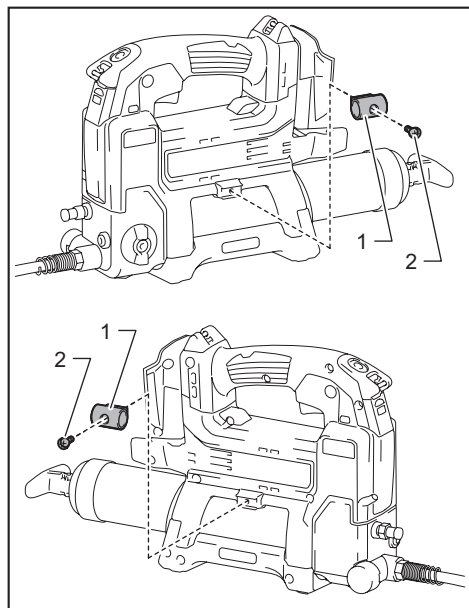
► 1. Ranura 2. Hendidura

PRECAUCIÓN: Asegúrese de que el mango de la barra esté bloqueado firmemente. De lo contrario, podría desbloquearse accidentalmente y provocar un atoramiento.

NOTA: Para tirar del mango de la barra mientras el depósito está instalado en la herramienta, afloje la válvula del conducto de ventilación para permitir que el aire entre en el depósito.

Sujetador de la manguera

El sujetador de la manguera se puede colocar en cualquiera de los lados de la herramienta con el tornillo.



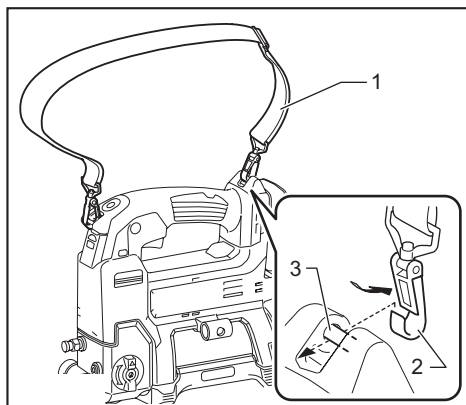
► 1. Sujetador de la manguera 2. Tornillo

Correa para hombro

ADVERTENCIA: Nunca utilice el orificio para la correa como cordel de seguridad (correa de amarre). Si lo hace, puede provocar lesiones graves porque el orificio para la correa no está diseñado para un dispositivo de seguridad que prevenga caídas.

ADVERTENCIA: Cuando transporte la herramienta, siga sosteniéndola incluso cuando utilice la correa para hombro. Transportar la herramienta mediante la correa para hombro solamente lo hace inestable. La correa para hombro puede desprenderse o la herramienta podría golpear otros objetos y causar una lesión.

Coloque los ganchos de la correa para hombro en los soportes de los orificios para la correa, tal y como se ilustra en la figura.



► 1. Correa para hombro 2. Gancho 3. Soporte

OPERACIÓN

Suministro de grasa

ADVERTENCIA: Asegúrese de leer los manuales de instrucciones de la grasa y/o de otros instrumentos y reemplace los siguientes contenidos según sea necesario. El uso incorrecto o el no seguir las instrucciones puede dañar la herramienta u ocasionar una lesión.

AVISO: Cuando use el depósito con los restos de grasa vieja, retire el depósito y purgue la grasa vieja de acuerdo con la sección de purgado de grasa.

Existen las siguientes formas de suministrar grasa:

Instalación del cartucho de grasa (comprado comercialmente) en el depósito

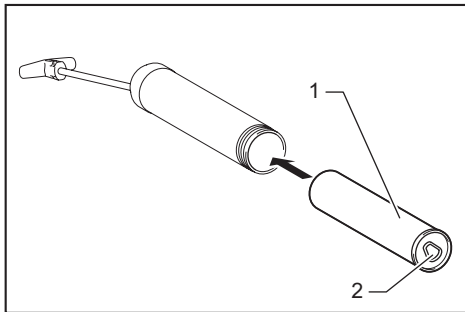
AVISO: (Para depósito tipo A solamente)

Utilice el cartucho de grasa, cuyo reborde puede engancharse sobre la superficie de extremo del depósito.

AVISO: (Para depósito tipo B solamente)

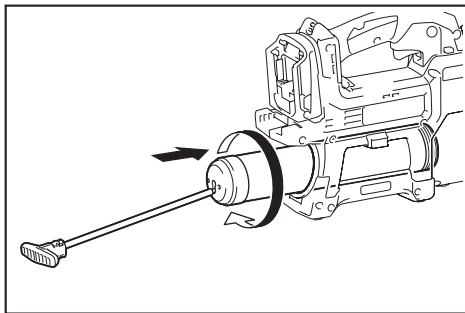
Utilice el cartucho de grasa, cuyo reborde puede engancharse sobre el apoyo interior del depósito.

1. Retire el depósito de la herramienta, luego tire completamente del mango de la barra y bloquéelo.
2. Retire la tapa de plástico del cartucho de grasa e inserte el cartucho de grasa en el depósito.

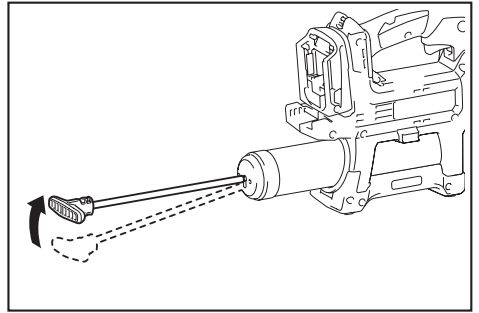


- 1. Cartucho de grasa (comprado comercialmente)
2. Lengüeta de tiro

3. Retire la lengüeta de tiro del cartucho de grasa, y luego instale el depósito en la herramienta. Si existe un espacio entre el reborde del cartucho de grasa y el depósito, atornille el depósito en la herramienta mientras empuja el depósito hacia adelante.



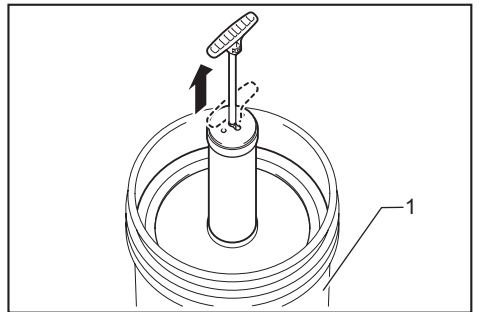
4. Libere el mango de la barra.



5. Expulse el aire que quede en la trayectoria de flujo de la grasa. (Consulte la sección para expulsión de aire.)

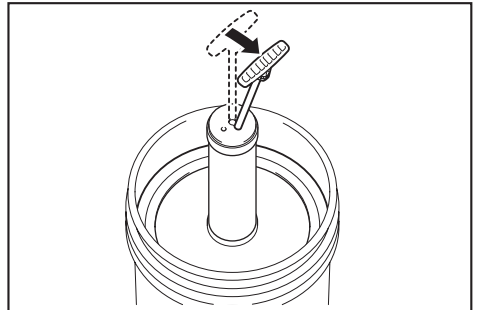
Llenado de grasa en el depósito desde un contenedor a granel (comprado comercialmente)

1. Retire el depósito de la herramienta.
2. Sumerja la punta del depósito en la grasa y luego tire del mango de la barra. La grasa se bombea hacia el interior del depósito.



- 1. Contenedor a granel (comprado comercialmente)

3. Tire completamente del mango de la barra y bloquéelo.



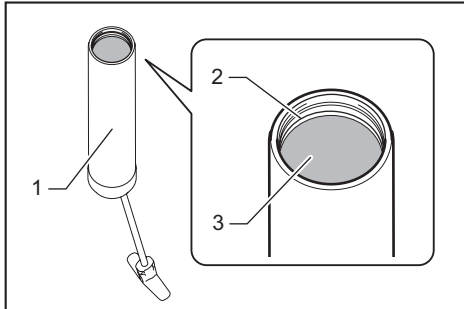
4. Instale el depósito en la herramienta y luego desbloquee el mango de la barra.

- Expulse el aire que quede en la trayectoria de flujo de la grasa. (Consulte la sección para expulsión de aire.)

AVISO: Cuando bloquee el mango de la barra, asegúrese de que el mango de la barra esté bloqueado firmemente. De lo contrario, el mango de la barra podría desbloquearse involuntariamente y la grasa se saldrá del depósito.

NOTA: (Para depósito tipo B solamente)

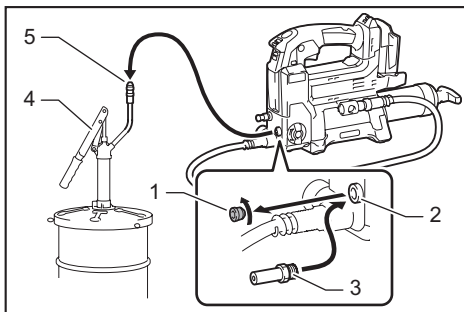
La cantidad de llenado de grasa debe estar por debajo de la línea de la ranura para el tornillo. De lo contrario, la grasa se rebalsará cuando instale el depósito en la herramienta.



- 1. Depósito (tipo B) 2. Ranura para el tornillo
3. Grasa

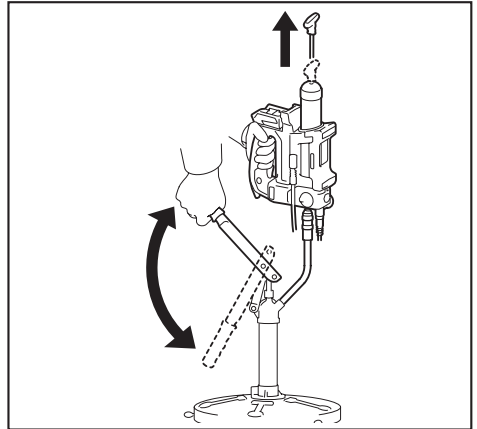
También puede llenar grasa en el depósito usando una bomba de suministro (comprada comercialmente) unida al contenedor a granel.

- Retire la toma del puerto de suministro. Conecte un aditamento para cargador (comprado comercialmente) al puerto de suministro.
- Con el depósito instalado en la herramienta, conecte el aditamento para cargador al aditamento de la bomba de suministro.



- 1. Toma del puerto de suministro 2. Puerto de suministro 3. Aditamento para cargador (comprado comercialmente) 4. Bomba de suministro (comprada comercialmente) 5. Aditamento

- Ponga a funcionar la bomba de suministro. La barra del mango de la barra se empujará hacia afuera conforme el depósito se va llenando con grasa.



- Desconecte el aditamento para cargador del aditamento de la bomba de suministro.
- Expulse el aire que quede en la trayectoria de flujo de la grasa. (Consulte la sección para expulsión de aire.)

ADVERTENCIA: Use un aditamento para cargador a baja presión solamente. Nunca utilice un aditamento para cargador a alta presión; de lo contrario, podría dañar la herramienta y causar lesiones personales.

PRECAUCIÓN: Sostenga la herramienta con firmeza cuando llene la grasa mediante una bomba de suministro. La herramienta podría caerse y ocasionar una lesión.

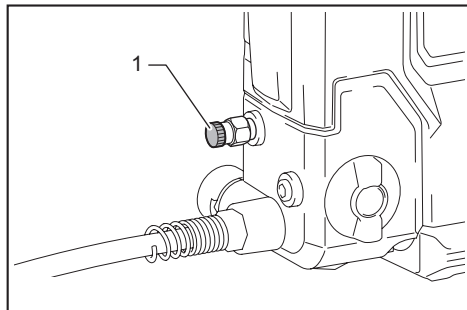
AVISO: Detenga el llenado de la grasa cuando vea la ranura en la barra. De lo contrario, podría ocurrir un escurrimiento de la grasa.

Expulsión de aire

Si queda aire en la trayectoria de flujo de la grasa, la herramienta no puede verter la grasa con precisión. Expulse el aire antes de cada uso y también cuando la herramienta parezca funcionar incorrectamente debido al aire.

- Para expulsar aire del interior de la herramienta, afloje la válvula del conducto de ventilación. El aire sale del orificio del conducto de ventilación.

2. Sujete la válvula cuando vea que sale grasa del orificio.



- 1. Válvula

ADVERTENCIA: Utilice gafas protectoras cuando expulse el aire.

PRECAUCIÓN: Limpie la grasa que sale del conducto de ventilación con un paño seco o similar. De lo contrario, podría ocasionar un resbalón y causar una lesión.

Surtido de la grasa

En los siguientes casos, purgue la grasa vieja dentro de la herramienta antes de usarla;

- Cuando use la herramienta por primera vez, o;
- Cuando use un tipo de grasa distinta de un uso previo.

Con la nueva grasa llena en el depósito, haga funcionar la herramienta por un tiempo hasta que la grasa vieja sea expulsada del adaptador.

AVISO: No conecte el adaptador a la boquilla de engrase hasta que se purgue la grasa vieja. Si se mezclan diferentes tipos de grasa, el desempeño de la grasa podría disminuir.

NOTA: La herramienta ha sido probada en la fábrica y queda una pequeña cantidad de grasa.

Realice el siguiente procedimiento para surtir la grasa.

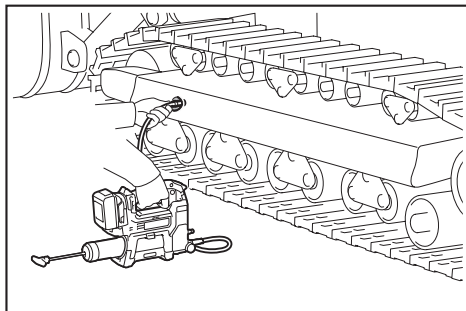
PRECAUCIÓN: Verifique siempre el modo de velocidad antes de la operación.

AVISO: Antes de conectar el adaptador a la boquilla de engrase, siempre asegúrese de que la herramienta surta la grasa correctamente.

AVISO: No conecte el adaptador a la boquilla de engrase forzosamente.

1. Limpie el adaptador y la boquilla de engrase antes de conectarlos. Empuje el adaptador directamente en la boquilla de engrase.

2. Jale del gatillo interruptor para surtir la grasa.



3. Cuando termine de surtir la grasa, retire el adaptador de la boquilla de engrase. Incline el adaptador un poco para liberar la presión interna y luego retire el adaptador de la boquilla de engrase. Limpie la grasa del adaptador y de la boquilla de engrase.

AVISO: No deje la herramienta funcionando incluso después de que se agote la grasa. Esto puede acortar la vida útil de la herramienta.

NOTA: Si la presión interna aumenta mientras no se aprieta por completo el gatillo interruptor, el sistema de protección entra en funcionamiento y el motor se detendrá aunque la herramienta no alcance la presión máxima de operación. Cuando inyecte la grasa a alta presión, apriete completamente el gatillo interruptor.

NOTA: La herramienta se detendrá automáticamente cuando la herramienta siga funcionando por más de 6 minutos.

MANTENIMIENTO

PRECAUCIÓN: Asegúrese siempre de que la herramienta esté apagada y el cartucho de batería extraído antes de intentar realizar una inspección o mantenimiento.

AVISO: Nunca use gasolina, bencina, diluyente (tiner), alcohol o sustancias similares. Puede que esto ocasione grietas o decoloramiento.

Para mantener la SEGURIDAD y FIABILIDAD del producto, las reparaciones, y cualquier otra tarea de mantenimiento o ajuste deberán ser realizadas en centros de servicio autorizados o de fábrica Makita, empleando siempre repuestos Makita.

Purgado de la grasa

Cuando almacene la herramienta o use el depósito en el que permanece la grasa, retire el depósito y purgue la grasa vieja con el siguiente procedimiento.

1. Afloje la válvula del conducto de ventilación.
2. Tire completamente del mango de la barra y bloquéelo.
3. Retire el depósito de la herramienta.
4. Desbloquee el mango de la barra. Siga sujetando el mango de la barra y muévalo lentamente hacia adelante, para que la grasa salga del depósito.

⚠PRECAUCIÓN: No quite la mano del mango de la barra. De lo contrario la grasa saldrá expulsada vigorosamente.

AVISO: Mantenga el polvo alejado del interior del depósito. El polvo puede quedar obstruido en la herramienta.

AVISO: Limpie el interior del depósito una vez cada tres meses.

ACCESORIOS OPCIONALES

⚠PRECAUCIÓN: Estos accesorios o aditamentos están recomendados para utilizarse con su herramienta Makita especificada en este manual. El empleo de cualquier otro accesorio o aditamento puede conllevar el riesgo de lesiones personales. Utilice los accesorios o aditamentos solamente para su fin establecido.

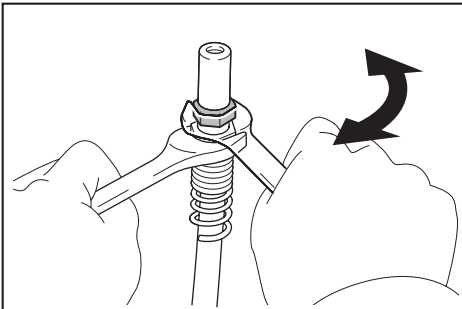
Si necesita cualquier ayuda para más detalles en relación con estos accesorios, pregunte a su centro de servicio local Makita.

- Adaptador
- Manguera flexible
- Depósito
- Depósito del cartucho
- Correa para hombro
- Adaptador de bloqueo
- Adaptador angular
- Batería y cargador originales de Makita

NOTA: Algunos de los artículos en la lista pueden incluirse en el paquete de la herramienta como accesorios estándar. Éstos pueden variar de país a país.

Reemplazo del adaptador

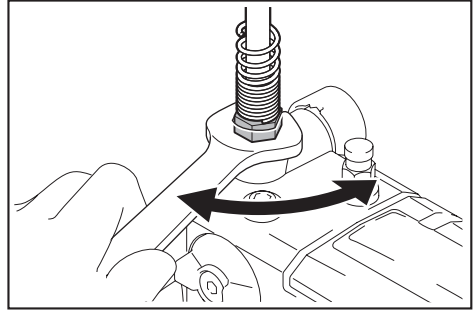
Afloje y retire el adaptador viejo con dos llaves de apriete como se ilustra y luego apriete firmemente el nuevo adaptador.



NOTA: Si se escapa grasa de la junta entre la manguera y el adaptador, enrolle cinta de teflón alrededor de la parte roscada de la manguera antes de conectar el adaptador.

Reemplazo de la manguera flexible

Afloje y retire la manguera flexible vieja con una llave de apriete como se ilustra y luego apriete firmemente la nueva manguera flexible.



⚠PRECAUCIÓN: Reemplace el anillo de goma unido a la parte de conexión de la nueva manguera flexible al mismo tiempo. Si reemplaza la manguera flexible sin el anillo de goma o con el anillo de goma viejo, la grasa podría gotear y ocasionar una lesión.

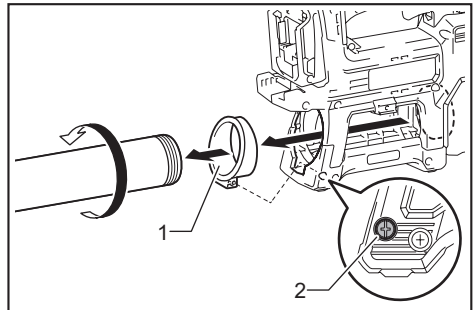
Cambio del depósito

NOTA: El tipo de depósito varía en función del país.

NOTA: Para instalar un depósito de diferente tipo, se requieren piezas adicionales que se describen a continuación, según el tipo de depósito.

Cambio del depósito de tipo A a tipo B

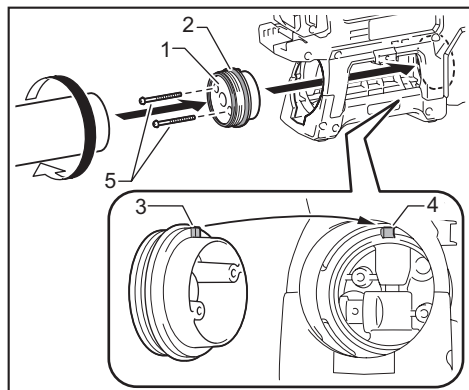
1. Retire el depósito tipo A.
2. Retire el tornillo y luego el manguito.



► 1. Manguito 2. Tornillo

3. Inserte la junta con el empaque de goma mientras alinea la pestaña con la ranura en la parte de montaje y luego asegúrela con los tornillos.

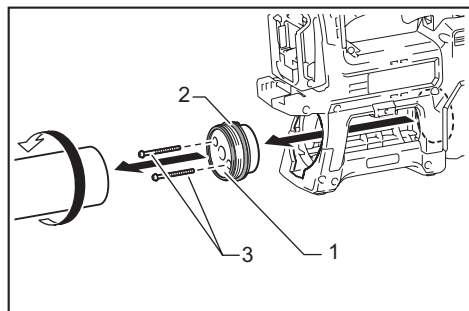
4. Instale el depósito tipo B.



- 1. Junta 2. Empaque de goma 3. Lengüeta
4. Ranura 5. Tornillo

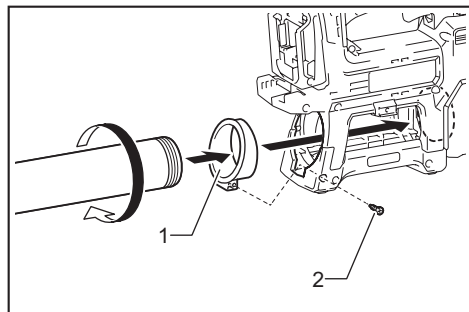
Cambio del depósito de tipo B a tipo A

1. Retire el depósito tipo B.
2. Desatornille y retire la junta.



- 1. Junta 2. Empaque de goma 3. Tornillo

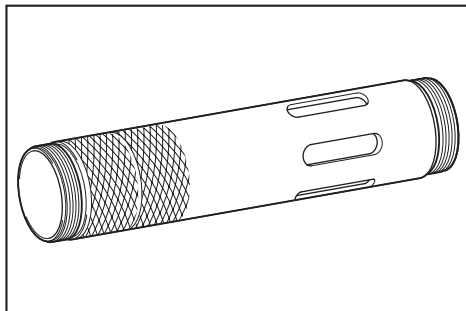
3. Inserte el manguito en la carcasa de la herramienta y luego asegúrela con un tornillo.
4. Instale el depósito tipo A.



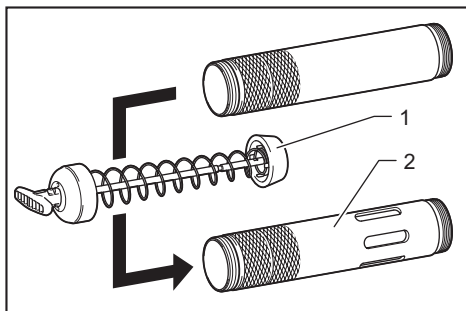
- 1. Manguito 2. Tornillo

Depósito del cartucho

Usted puede ver el cartucho de grasa a través del orificio en el depósito del cartucho.



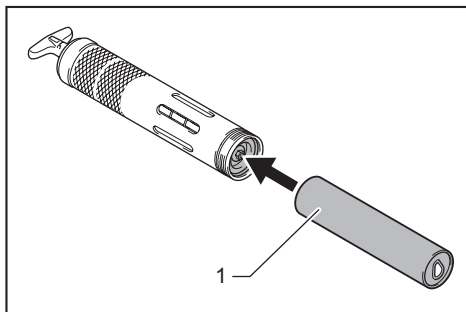
Cuando utilice el depósito del cartucho, transfiera las piezas del pistón del depósito correspondiente al depósito del cartucho.



- 1. Piezas del pistón 2. Depósito del cartucho

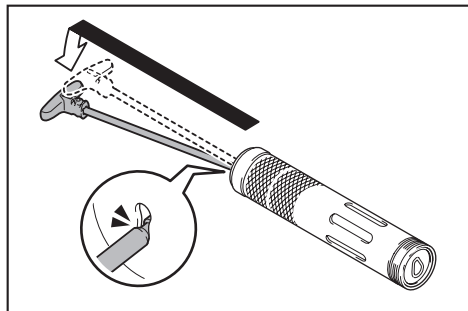
Si se dificulta sacar el mango de la barra, siga el procedimiento a continuación.

1. Inserte el cartucho de grasa vacío dentro del depósito.



- 1. Cartucho de grasa vacío

2. Tire del mango de la barra y bloquéelo.



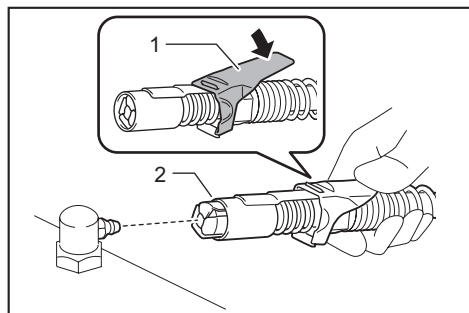
3. Retire el cartucho de grasa vacío del depósito.

Adaptador de bloqueo

⚠ PRECAUCIÓN: Tenga cuidado de no pellizcar el dedo en el adaptador de bloqueo.

⚠ PRECAUCIÓN: Use las gafas protectoras. Cuando retire el adaptador de bloqueo de la boquilla de engrase, la grasa podría salir a chorro de la herramienta y ocasionar una lesión.

Cuando conecte el adaptador de bloqueo a la boquilla de engrase, empuje el adaptador de bloqueo de forma recta hacia la boquilla de engrase mientras tira de la palanca del adaptador de bloqueo, luego suelte la palanca.

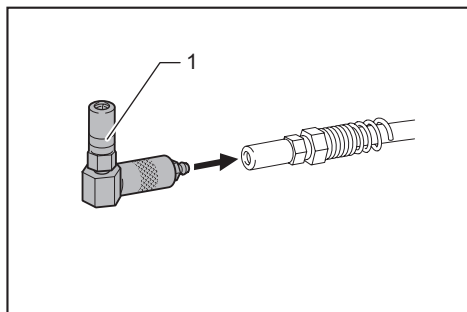


- 1. Palanca 2. Adaptador de bloqueo

Para ensamblar el adaptador de bloqueo, consulte la sección para reemplazo del adaptador.

Adaptador angular

Al conectar el adaptador angular, empuje el adaptador de la herramienta de forma recta al adaptador angular.



- 1. Adaptador angular

GARANTÍA LIMITADA DE MAKITA

Ésta Garantía no aplica para México

Consulte la hoja de la garantía anexa para ver los términos más vigentes de la garantía aplicable a este producto. En caso de no disponer de esta hoja de garantía anexa, consulte los detalles sobre la garantía descritos en el sitio web de su país respectivo indicado a continuación.

Estados Unidos de América: www.makitatools.com

Canadá: www.makita.ca

Otros países: www.makita.com

< USA only >

WARNING

Some dust created by power sanding, sawing, grinding, drilling, and other construction activities contains chemicals known to the State of California to cause cancer, birth defects or other reproductive harm. Some examples of these chemicals are:

- lead from lead-based paints,
- crystalline silica from bricks and cement and other masonry products, and
- arsenic and chromium from chemically-treated lumber.

Your risk from these exposures varies, depending on how often you do this type of work. To reduce your exposure to these chemicals: work in a well ventilated area, and work with approved safety equipment, such as those dust masks that are specially designed to filter out microscopic particles.

< Sólo en los Estados Unidos >

ADVERTENCIA

Algunos polvos creados por el lijado, aserrado, esmerilado, taladrado y otras actividades de la construcción contienen sustancias químicas reconocidas por el Estado de California como causantes de cáncer, defectos de nacimiento y otros peligros de reproducción. Algunos ejemplos de estos productos químicos son:

- plomo de pinturas a base de plomo,
- sílice cristalino de ladrillos y cemento y otros productos de albañilería, y
- arsénico y cromo de maderas tratadas químicamente.

El riesgo al que se expone varía, dependiendo de la frecuencia con la que realice este tipo de trabajo. Para reducir la exposición a estos productos químicos: trabaje en un área bien ventilada y póngase el equipo de seguridad indicado, tal como las máscaras contra polvo que están especialmente diseñadas para filtrar partículas microscópicas.

Makita Corporation

3-11-8, Sumiyoshi-cho,
Anjo, Aichi 446-8502 Japan

www.makita.com

885731-947
XPG01-1
EN, ESMX
20200602